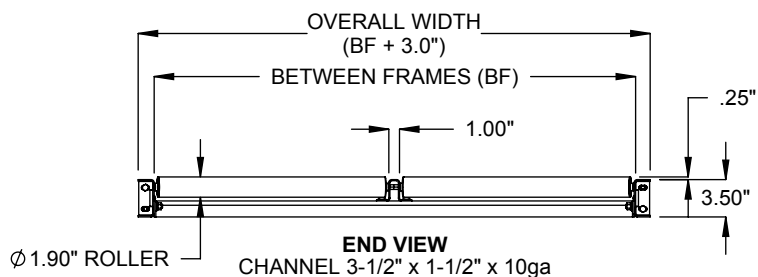
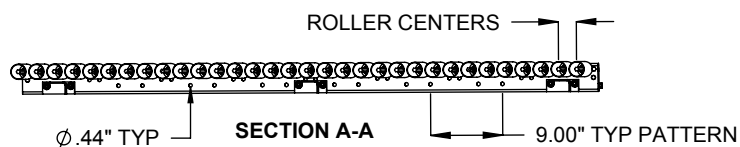
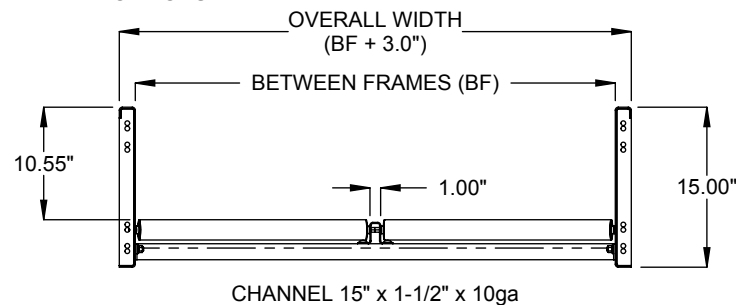


FRAME OPTIONS:



SPECIFICATIONS						
BETWEEN FRAMES:	45"	48"	49"	51"	57"	61.5"
OVERALL WIDTH:	48"	51"	52"	54"	60"	64.5"
LENGTH: 11.25" - 144"						
ROLLERS: 1.9" diameter roller with 16 ga wall tube. 7/16" hex cold rolled steel axles, spring retained. Bearings are precision, grease packed.						
ROLLER CENTERS: 2.25" nominal.						
ROLLER ARRANGEMENT: Both lanes skewed (herringbone) with pattern continuous. Requires field installation of 2 loose rollers (included) when butted to another herringbone conveyor.						
FRAMES: Set high 3-1/2" x 1-1/2" x 10 ga formed steel channel.						
ROLLER SURFACE: Galvanized tube.						
COUPLINGS: Bolt on butt couplers for 3.5" frame. Weld on butt couplers for 15" frame.						
FRAME FINISH: Repose Gray, Laser Blue, FedEx Blue, Rapistan Green						

Model: 196FDH - Gravity Roller Conveyor, Dual Lane, Herringbone, Parcel

REV	
3	