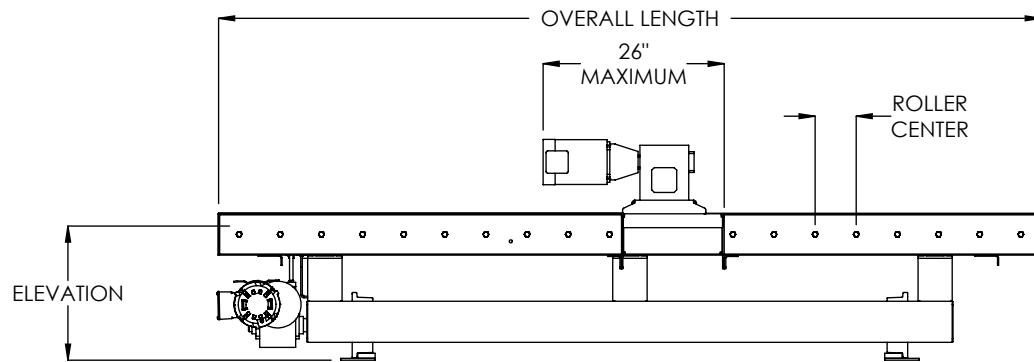
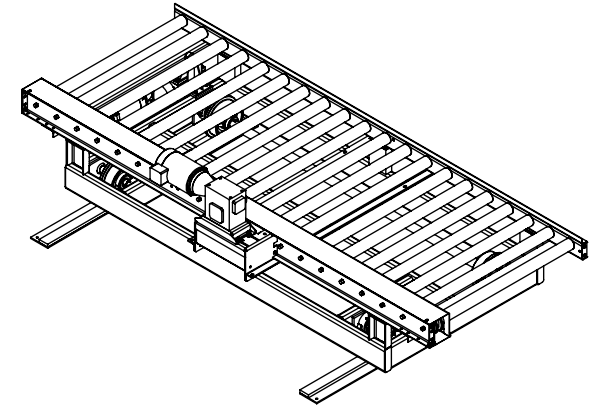
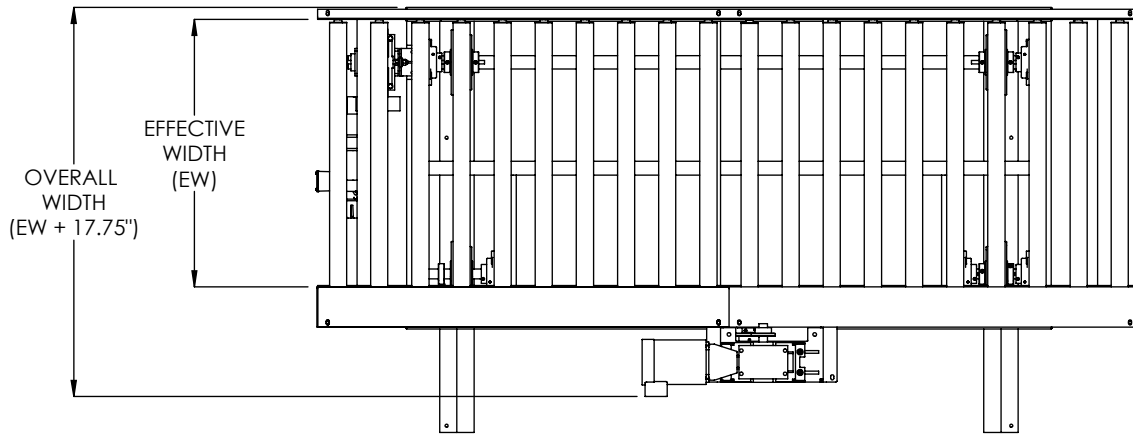


LOAD CAPACITY: 4000 LB MAXIMUM LOAD DISTRIBUTED ON CONVEYOR.



### SPECIFICATIONS

**EFFECTIVE WIDTH:** 36", 42", 48", 51", 54", 60"

**ELEVATION:** 12" - 48"

**LENGTH:** 60" - 120"

**SPEED:** 30, 45, 60 FPM

**ROLLER CENTERS:** 4.5", 6"

**ROLLERS:** PTTCP2511 Roller - 2.50" diameter, 11ga wall tube. PTTCP2607 - 2.625" diameter, 7ga wall tube. All rollers with 11/16" hex cold rolled steel axles, spring retained. Standard bearings are precision, grease packed bearings.

**MOTOR:** 1 HP.

**CONVEYOR:** Standard is chain driven live roller, 1 HP motor, 10 - 60 FPM speed, 6" channel rail both sides with rollers set low in the frame. Optional frame includes structural 6@8.2# rail both sides with rollers set low.

**ROLLER SURFACE:** Standard roller surface is carbon steel. Optional roller covers for 2.5" rollers includes galvanized roller tube and polyurethane roller sleeves.

**FRAME FINISH:** Standard finish is OSHA safety blue powder. Optional colors include green, beige, gray, orange, black and yellow.

**Model:** PTTCP2511, PTTCP2607 - Pass Thru Transfer Car, Powered

REV

0

