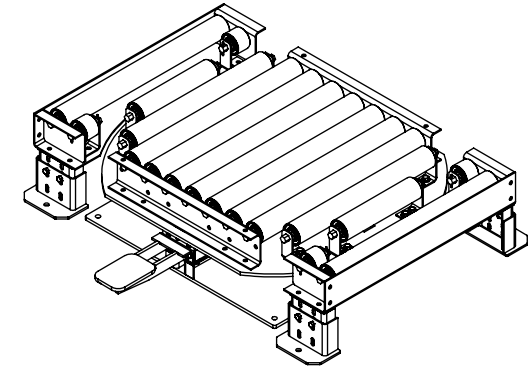
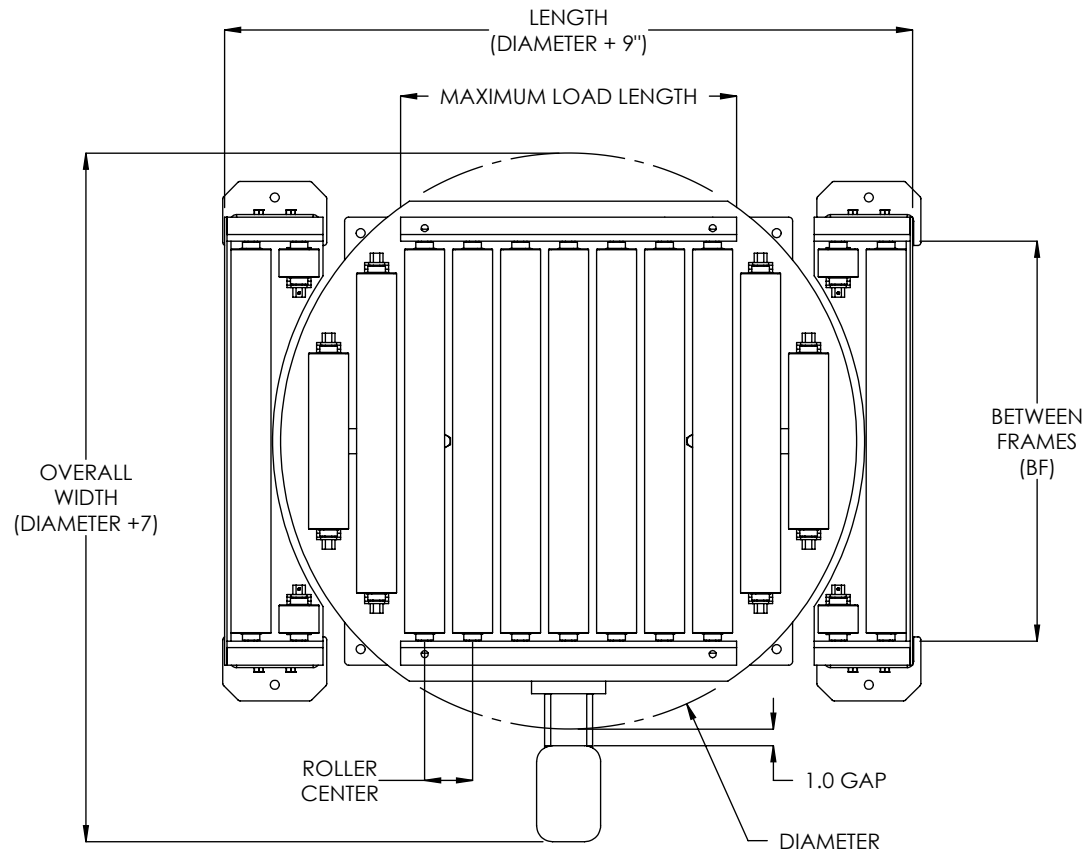
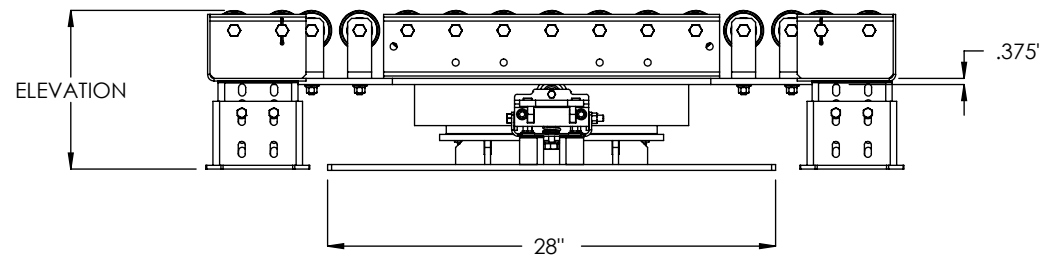


LOAD CAPACITY: 1000 LB MAXIMUM LOAD DISTRIBUTED ON TURNTABLE.



DIAMETER (IN)	BETWEEN FRAMES (IN)	MAXIMUM LOAD LENGTH (IN)
43	27	27
52	33	32



### SPECIFICATIONS

**BETWEEN FRAMES:** 27" and 33"

**ELEVATION:** 8.25" - 12.75"

**ROTATION:** 360 degrees, detented at 90 degree increments.

**ROLLER CENTERS:** 4-1/2"

**ROLLERS:** 2.5" diameter, 11ga wall tube or 2.625 diameter, 7 ga wall tube. All rollers with 11/16" hex cold rolled steel axles, spring retained. Standard bearings are precision, grease packed.

**TURNTABLE PLATE:** Standard is 3/8" plate, with slewing ring center bearing.

**ROLL COVERS:** Optional orange polyurethane, 1/8" wall or galvanized tube for 11 ga rollers.

**TRANSITION ROLLERS:** Standard set for pass through conveyor line. Optional transition section can be configured for 90° turns.

**FRAME FINISH:** Standard finish is OSHA safety blue powder. Optional colors include green, beige, gray, orange, black and yellow.

**Model:** LPTG25 - Low Profile Turntable with 2500 Series Gravity Conveyor

REV.

0

