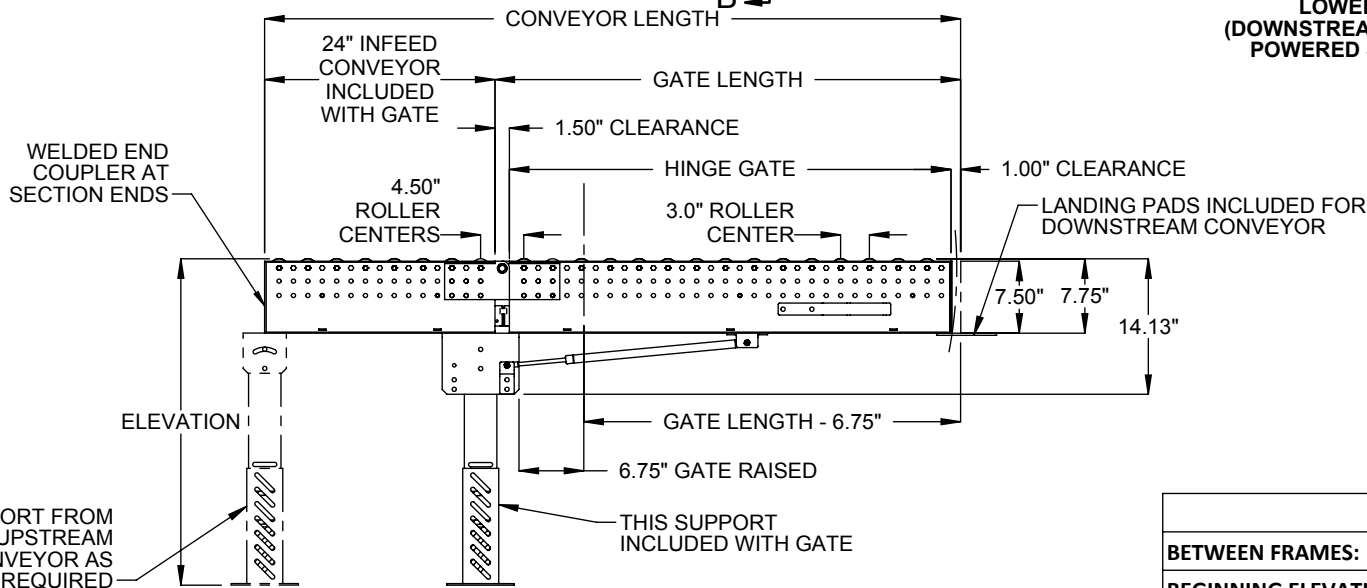


LOWERED VIEW
(DOWNSTREAM CONVEYOR IS POWERED SEPARATELY)

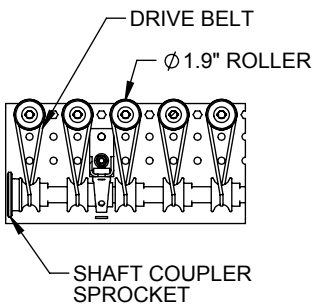
RAISED VIEW
(GATE ROLLERS ARE NOT DRIVING WHEN GATE IS NOT LOWERED)



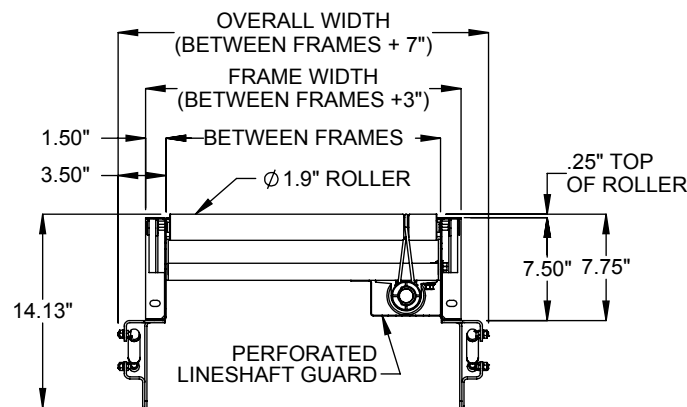
SUPPORT FROM UPSTREAM CONVEYOR AS REQUIRED

ELEVATION

THIS SUPPORT INCLUDED WITH GATE



SECTION A-A
SHAFT DETAIL
(GUARD NOT SHOWN)



SECTION B-B
INTERMEDIATE CROSS-SECTION

SPECIFICATIONS

BETWEEN FRAMES: 13" - 39"	
BEGINNING ELEVATION: 18" - 42"	CONVEYOR LENGTH: 60", 72"
ENDING ELEVATION: Same as beginning elevation. Consult factory for incline/decline operations.	
ROLLER: 1.9" diameter, 16ga tube with 7/16" hex, cold rolled steel axle, spring retained with precision ABEC1 bearings.	
ROLLER CENTERS: Nominal 3"	CONVEYOR SPEED: 20 - 180 FPM
DRIVE BELT: Standard belt is 83A, 15 lb. capacity per roller. 75 lb unit load. Optional high tension belt is 85A, 25 lb. capacity per roller. Consult Factory for high tension applications.	
DRIVE: Driven by LSDR19.	
ROLLER COVER: Standard galvanized roller. Optional polyurethane sleeves available.	
FRAME: 7.50" x 1.50" x 12 ga. Standard bolt-on cross members and welded end couplers at infeed.	
SUPPORT CENTERS: Standard supports are floor supports on each end of infeed conveyor. Optional ceiling supports are also available.	
FRAME FINISH: Standard finish is OSHA safety blue powder. Optional colors include green, beige, gray, orange, black and yellow.	

ALL PRODUCT, PRODUCT SPECIFICATIONS AND DATA ARE SUBJECT TO CHANGE WITHOUT NOTICE TO IMPROVE RELIABILITY, FUNCTION OR DESIGN OR OTHERWISE.

Model: LSHG19 - Line Shaft Hinge Gate

REV

2

