

A03 BEARING
 LUBRICATION TYPE: OIL
 LOAD RATING: 198 LBS.
 TEMP. RATING: -20 F TO 140 F
 MAX SPEED: 200 RPM

SPECIFICATIONS

BETWEEN FRAME: 6" - 39"

ROLL CONSTRUCTION: Round tube, 1.375" Diameter, 16 Gauge, HRPO.

BEARINGS: Standard (A03) Non Precision, Oiled, 7/16" Hex axle.

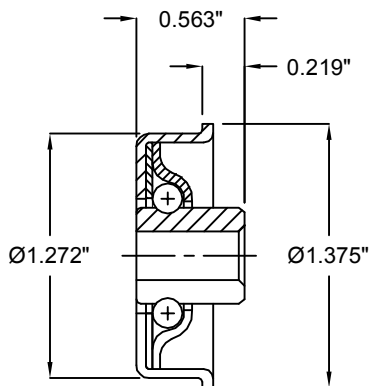
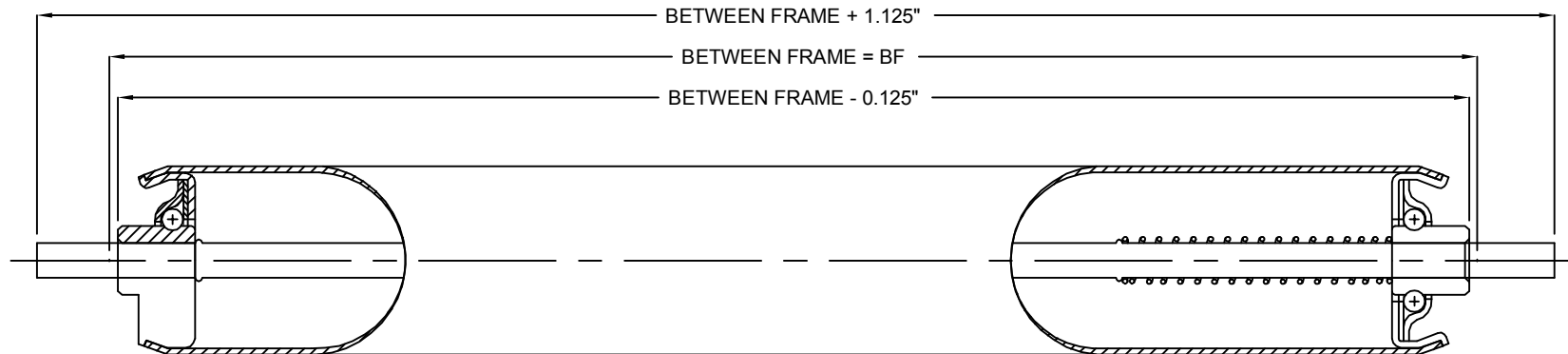
AXLE RETENTION: Standard 3" Spring staked one side. Optional cotter pins.

ROLLER SURFACE: Standard Carbon Steel. Optional Orange Polyurethane, 1/8" wall or galvanized tube.

Model: R1416 - Roller Assembly

| |
|-----|
| REV |
| 0 |





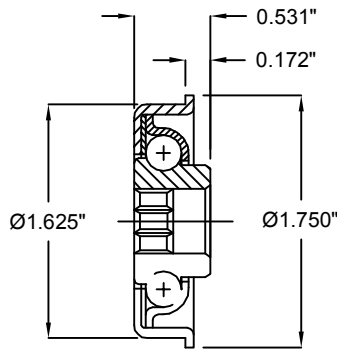
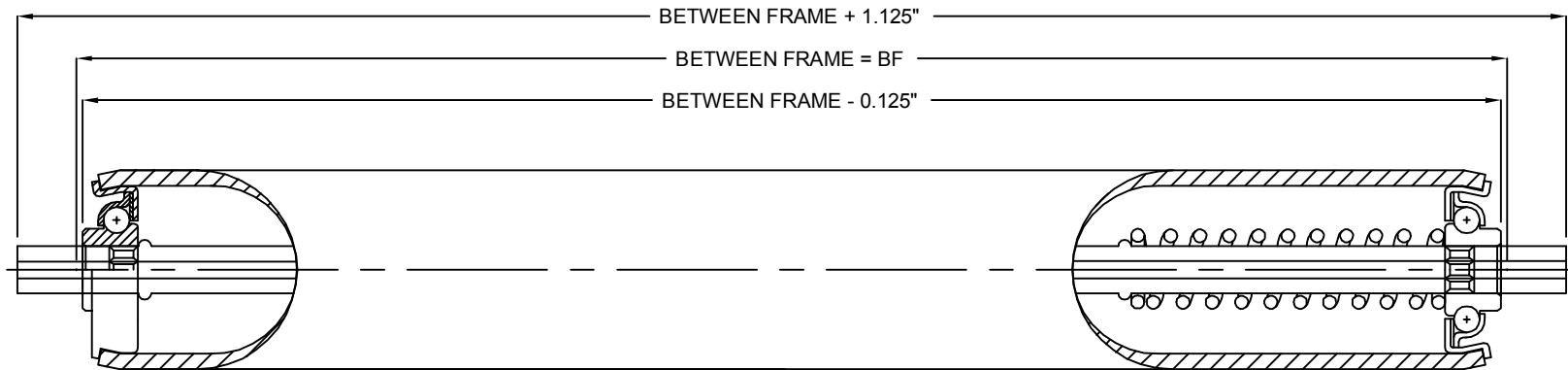
A02 BEARING
 LUBRICATION TYPE: OIL
 LOAD RATING: 47 LBS.
 TEMP. RATING: -20 F TO 140 F
 MAX SPEED: 200 RPM

| SPECIFICATIONS | |
|---|--|
| BETWEEN FRAME: 6" - 22" | |
| ROLL CONSTRUCTION: Round tube, 1.375" Diameter, 18 Gauge. | |
| BEARINGS: <u>Standard</u> (A02) Non Precision, Oiled, 1/4" Round axle. | |
| AXLE RETENTION: <u>Standard</u> 2" Spring staked one side. <u>Optional</u> cotter pins. | |
| ROLLER SURFACE: <u>Standard</u> galvanized tube. <u>Optional</u> Orange Polyurethane, 1/8" wall. | |

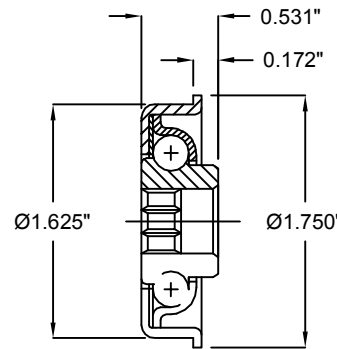
Model: R1418 - Roller Assembly

| |
|-----|
| REV |
| 0 |

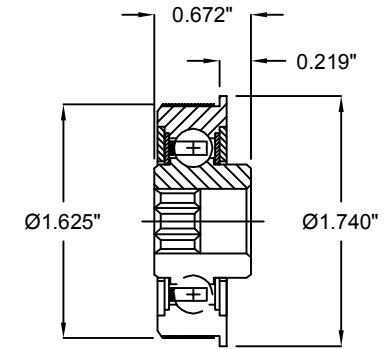




A30 BEARING
 LUBRICATION TYPE: OIL
 LOAD RATING: 135 LBS.
 TEMP. RATING: -20 F TO 140 F
 MAX SPEED: 200 RPM



A31 BEARING
 LUBRICATION TYPE: GREASE
 LOAD RATING: 135 LBS.
 TEMP. RATING: -20 F TO 350 F
 MAX SPEED: 200 RPM



A33 BEARING
 LUBRICATION TYPE: GREASE
 LOAD RATING: 428 LBS.
 TEMP. RATING: -20 F TO 220 F
 MAX SPEED: 1200 RPM

SPECIFICATIONS

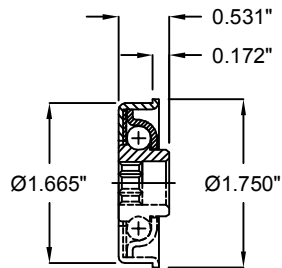
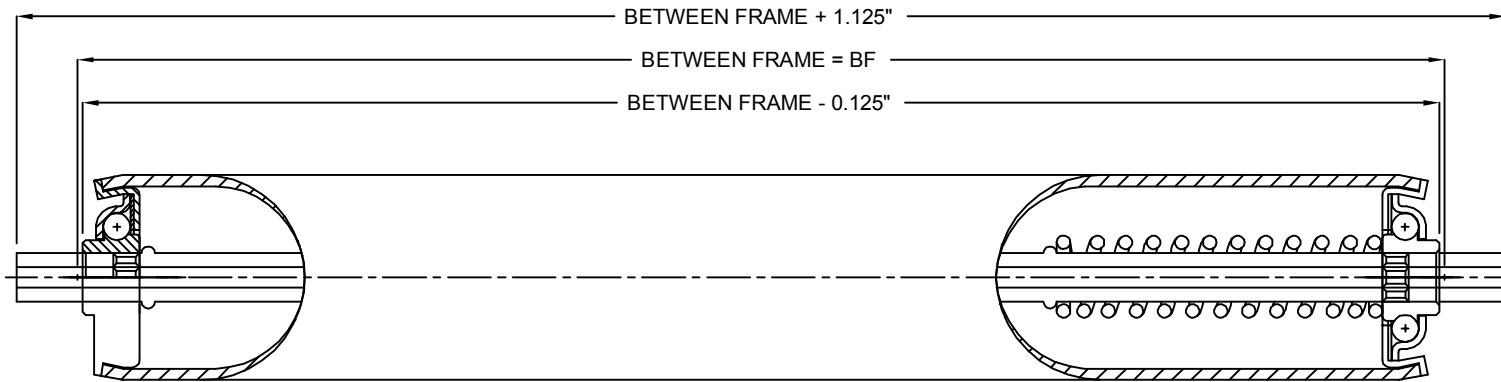
BETWEEN FRAME: 6" - 51"

ROLL CONSTRUCTION: Round tube, 1.90" Diameter, 9 Gauge, HRPO.

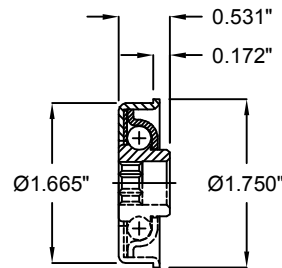
BEARINGS: Standard (A30) Non Precision, Crimped. Optional Semi-precision bearings; oiled or grease packed. All bearings with 7/16" hex axle.

AXLE RETENTION: Standard 3" Spring staked one side. Optional cotter pins.

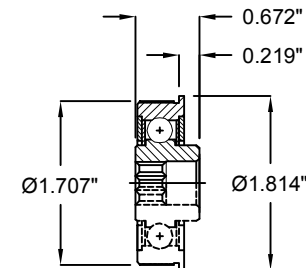
ROLLER SURFACE: Standard Carbon Steel. Optional Orange Polyurethane, 1/8" wall.



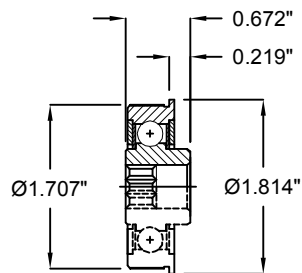
A20 BEARING
 LUBRICATION TYPE: OIL
 LOAD RATING: 135 LBS.
 TEMP. RATING: -20 F TO 140 F
 MAX SPEED: 200 RPM



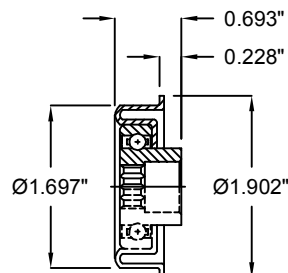
A21 BEARING
 LUBRICATION TYPE: GREASE
 LOAD RATING: 135 LBS.
 TEMP. RATING: -20 F TO 250 F
 MAX SPEED: 200 RPM



A22 BEARING
 LUBRICATION TYPE: OIL
 LOAD RATING: 428 LBS.
 TEMP. RATING: -20 F TO 140 F
 MAX SPEED: 1200 RPM



A23 BEARING
 LUBRICATION TYPE: GREASE
 LOAD RATING: 428 LBS.
 TEMP. RATING: -20 F TO 220 F
 MAX SPEED: 1200 RPM



A24 BEARING
 LUBRICATION TYPE: GREASE
 LOAD RATING: 635 LBS.
 TEMP. RATING: -20 F TO 220 F
 MAX SPEED: 1200 RPM

SPECIFICATIONS

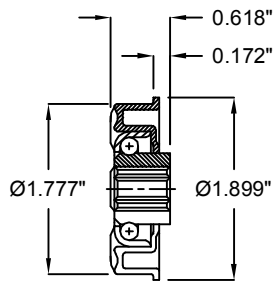
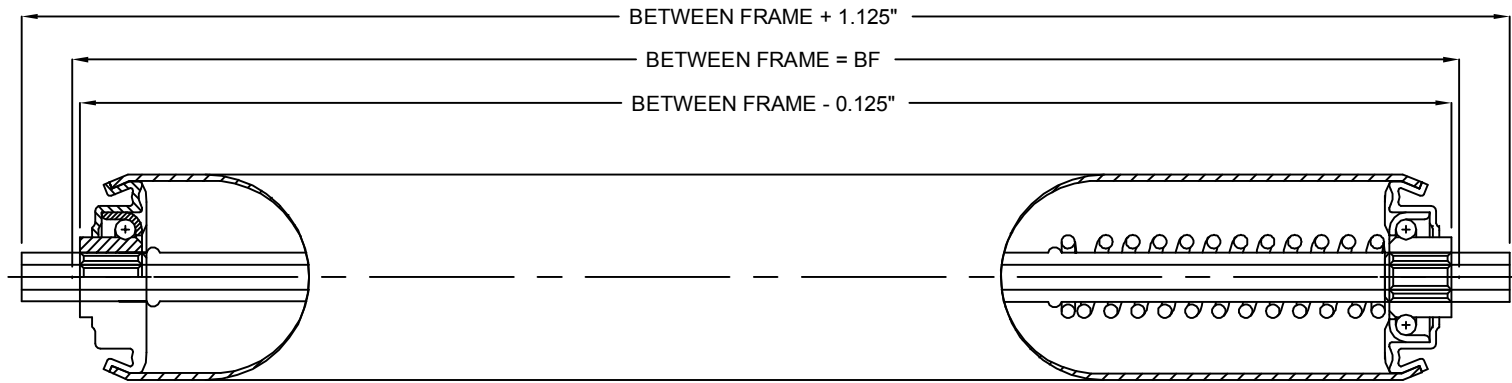
BETWEEN FRAME: 6" - 51"

ROLL CONSTRUCTION: Round tube, 1.9" Diameter, 12 Gauge, HRPO.

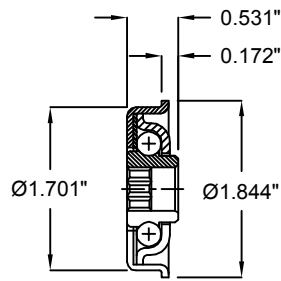
BEARINGS: Standard (A20) Non-precision. Optional Semi-precision and Precision bearings; oiled or grease packed. All bearings with 7/16" hex axle.

AXLE RETENTION: Standard 3" Spring staked one side. Optional cotter pins.

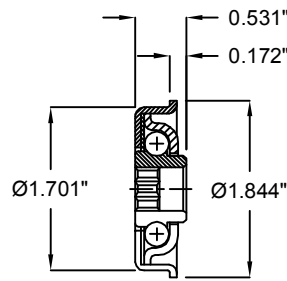
ROLLER SURFACE: Standard Carbon Steel. Optional Orange Polyurethane, 1/8" wall or galvanized tube.



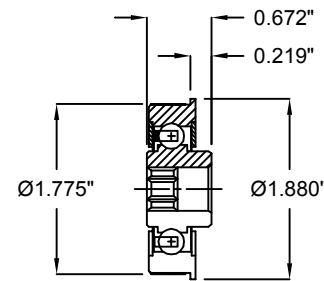
A15 BEARING
 LUBRICATION TYPE: OIL
 LOAD RATING: 300 LBS.
 TEMP. RATING: -10 F TO 400 F
 MAX SPEED: 1500 RPM



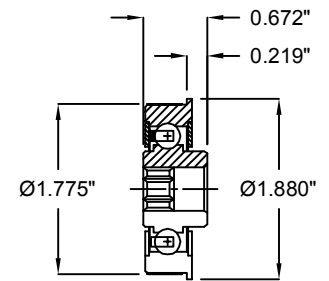
A10 BEARING
 LUBRICATION TYPE: OIL
 LOAD RATING: 135 LBS.
 TEMP. RATING: -20 F TO 140 F
 MAX SPEED: 200 RPM



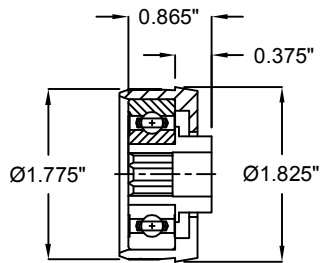
A11 BEARING
 LUBRICATION TYPE: GREASE
 LOAD RATING: 135 LBS.
 TEMP. RATING: -20 F TO 350 F
 MAX SPEED: 200 RPM



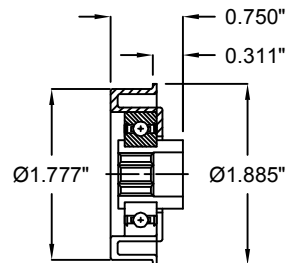
A12 BEARING
 LUBRICATION TYPE: OIL
 LOAD RATING: 428 LBS.
 TEMP. RATING: -20 F TO 140 F
 MAX SPEED: 1200 RPM



A13 BEARING
 LUBRICATION TYPE: GREASE
 LOAD RATING: 428 LBS.
 TEMP. RATING: -20 F TO 220 F
 MAX SPEED: 1200 RPM



A18 BEARING
 LUBRICATION TYPE: GREASE
 LOAD RATING: 1000 LBS.
 TEMP. RATING: -30 F TO 185 F
 MAX SPEED: 1200 RPM



A19 BEARING
 LUBRICATION TYPE: GREASE
 LOAD RATING: 300 LBS.
 TEMP. RATING: -20 F TO 220 F
 MAX SPEED: 200 RPM

SPECIFICATIONS

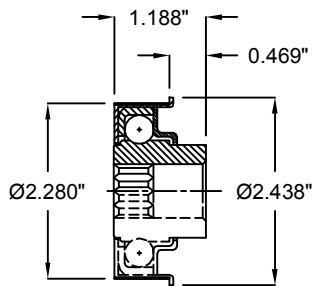
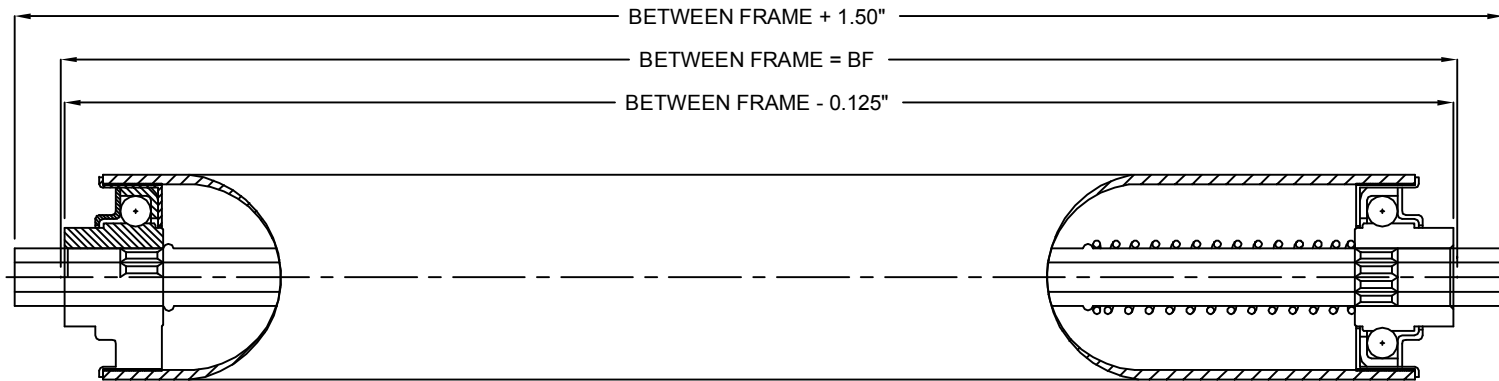
BETWEEN FRAME: 6" - 51"

ROLL CONSTRUCTION: Round tube, 1.9" Diameter, 16 Gauge, HRPO.

BEARINGS: Standard (A15) Semi-precision, crimped. Optional Non-precision, Semi-precision and Precision bearings; oiled or grease packed. All bearings with 7/16" hex axle.

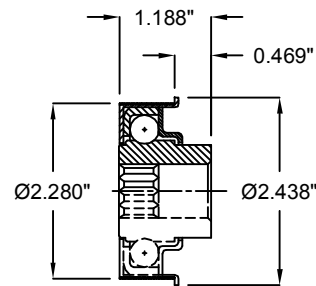
AXLE RETENTION: Standard 3" Spring staked one side. Optional cotter pins.

ROLLER SURFACE: Standard Carbon Steel. Optional Orange Polyurethane, 1/8" wall or galvanized tube.



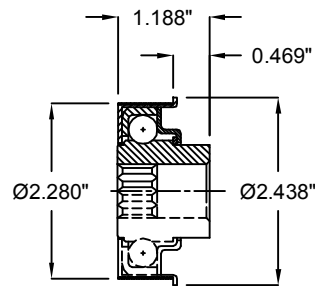
A50 BEARING

LUBRICATION TYPE: OIL
 LOAD RATING: 425 LBS.
 TEMP. RATING: -20 F TO 140 F
 MAX SPEED: 1200 RPM



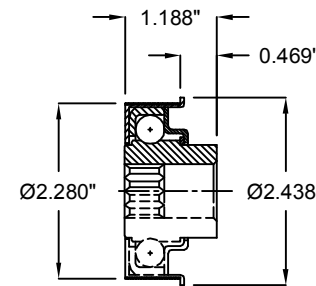
A51 BEARING

LUBRICATION TYPE: GREASE
 LOAD RATING: 425 LBS.
 TEMP. RATING: -20 F TO 220 F
 MAX SPEED: 1200 RPM



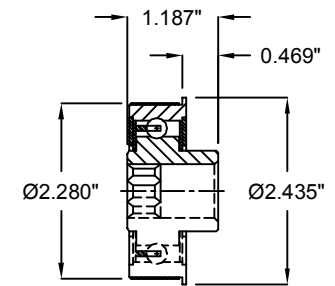
A52 BEARING

LUBRICATION TYPE: OIL
 LOAD RATING: 425 LBS.
 TEMP. RATING: -20 F TO 140 F
 MAX SPEED: 1200 RPM



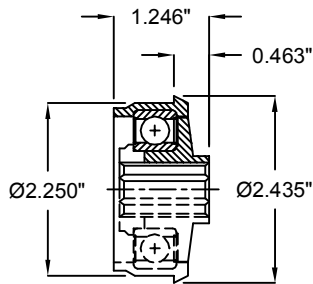
A53 BEARING

LUBRICATION TYPE: GREASE
 LOAD RATING: 425 LBS.
 TEMP. RATING: -20 F TO 220 F
 MAX SPEED: 1200 RPM



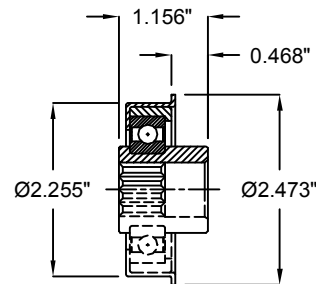
A54 BEARING

LUBRICATION TYPE: OIL
 LOAD RATING: 1050 LBS.
 TEMP. RATING: -20 F TO 140 F
 MAX SPEED: 1200 RPM



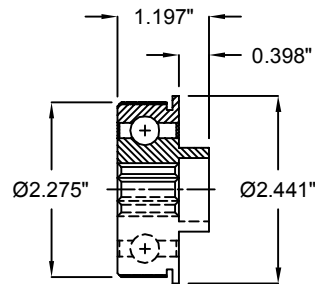
A60 BEARING

LUBRICATION TYPE: GREASE
 LOAD RATING: 1770 LBS.
 TEMP. RATING: -20 F TO 185 F
 MAX SPEED: 1200 RPM



A63 BEARING

LUBRICATION TYPE: GREASE
 LOAD RATING: 1000 LBS.
 TEMP. RATING: -4 F TO 180 F
 MAX SPEED: 200 RPM



A66 BEARING

LUBRICATION TYPE: GREASE
 LOAD RATING: 1000 LBS.
 TEMP. RATING: -20 F TO 220 F
 MAX SPEED: 1200 RPM

SPECIFICATIONS

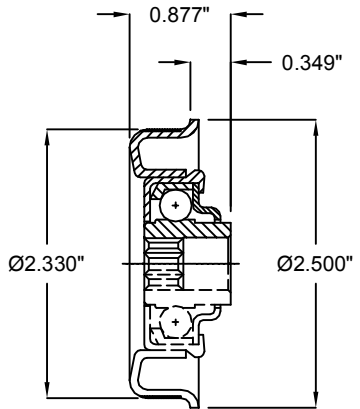
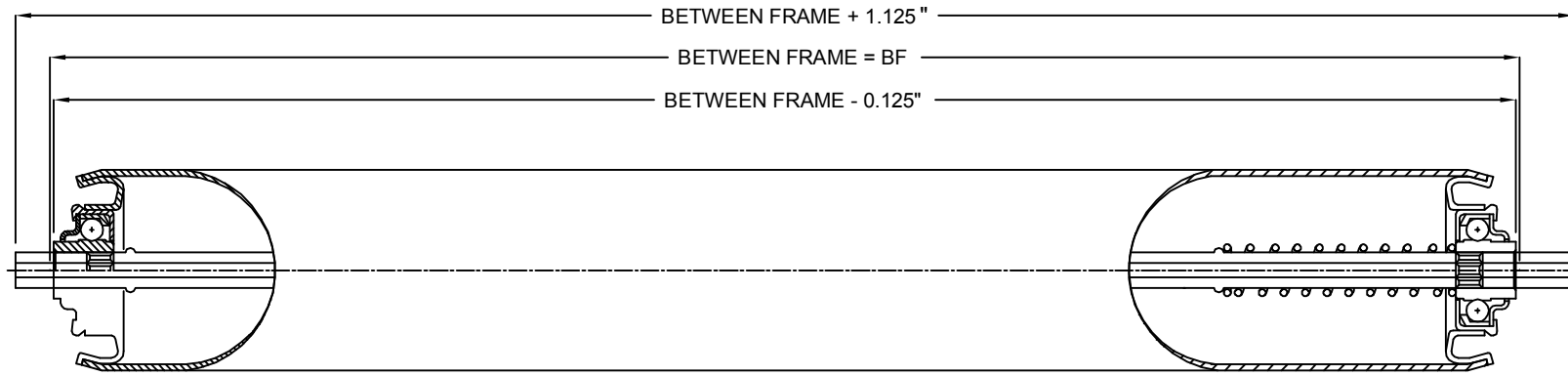
BETWEEN FRAME: 6" - 61"

ROLL CONSTRUCTION: Round tube, 2.5" Diameter, 11 Gauge, HRPO.

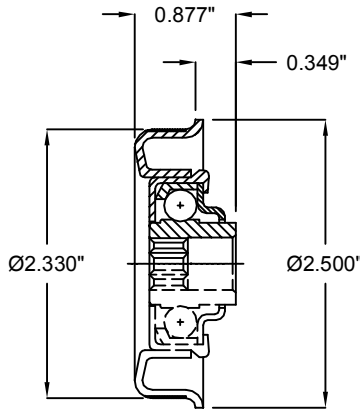
BEARINGS: Standard (A50) Non-precision. Optional Non-precision, Semi-precision and Precision bearings; oiled or grease packed. All bearings with 11/16" hex axle.

AXLE RETENTION: Standard 3" Spring staked one side. Optional cotter pins.

ROLLER SURFACE: Standard Carbon Steel. Optional Orange Polyurethane, 1/8" wall or galvanized tube.



A40 BEARING
 LUBRICATION TYPE: OIL
 LOAD RATING: 145 LBS.
 TEMP. RATING: -40 F TO 140 F
 MAX SPEED: 200 RPM



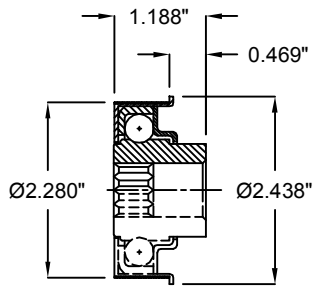
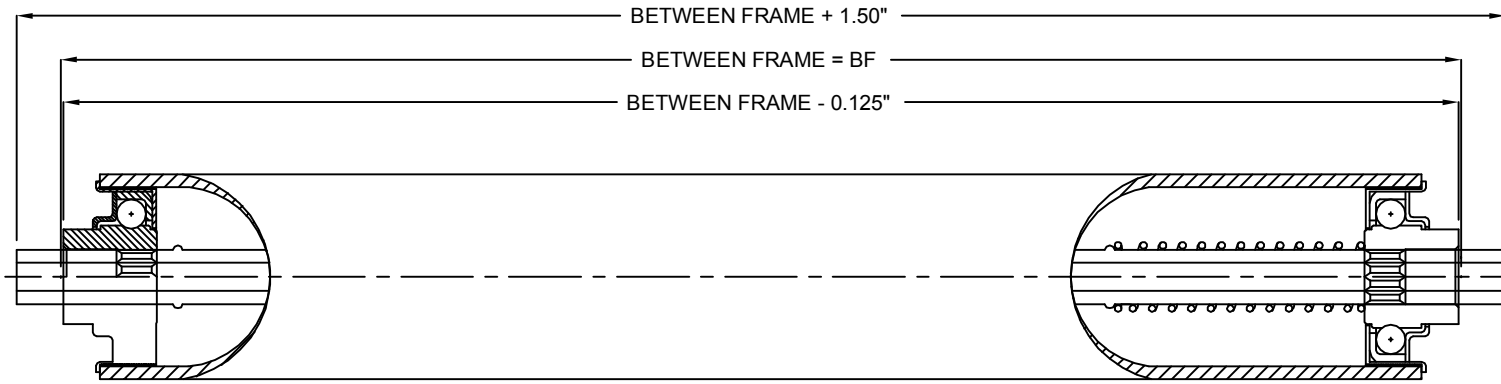
A41 BEARING
 LUBRICATION TYPE: GREASE
 LOAD RATING: 145 LBS.
 TEMP. RATING: -40 F TO 250 F
 MAX SPEED: 200 RPM

| SPECIFICATIONS | |
|---------------------------|---|
| BETWEEN FRAME: | 6" - 51" |
| ROLL CONSTRUCTION: | Round tube, 2.50" Diameter, 14 Gauge, HRPO. |
| BEARINGS: | <u>Standard</u> (A40) Non Precision, Oiled. <u>Optional</u> Non Precision, grease packed. All bearings with 7/16" hex axle. |
| AXLE RETENTION: | <u>Standard</u> 3" Spring staked one side. <u>Optional</u> cotter pins. |
| ROLLER SURFACE: | <u>Standard</u> Carbon Steel. <u>Optional</u> Orange Polyurethane, 1/8" wall. |

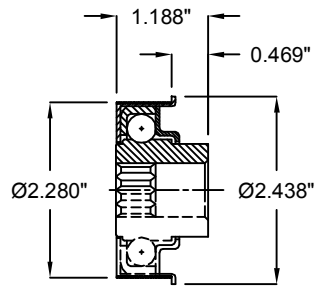
Model: R2514 - Roller Assembly

| |
|-----|
| REV |
| 0 |

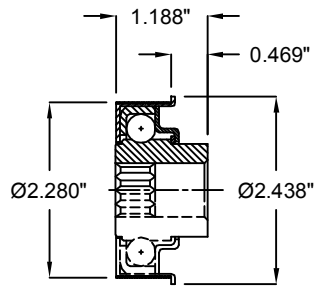




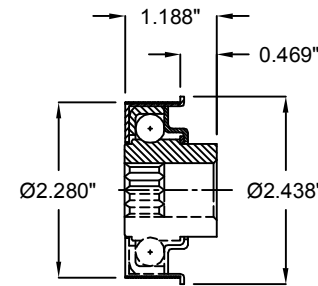
A50 BEARING
 LUBRICATION TYPE: OIL
 LOAD RATING: 425 LBS.
 TEMP. RATING: -20 F TO 140 F
 MAX SPEED: 1200 RPM



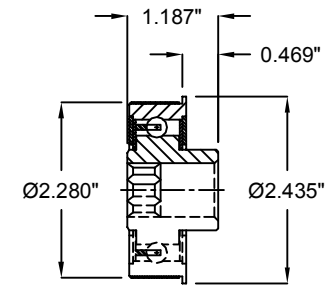
A51 BEARING
 LUBRICATION TYPE: GREASE
 LOAD RATING: 425 LBS.
 TEMP. RATING: -20 F TO 220 F
 MAX SPEED: 1200 RPM



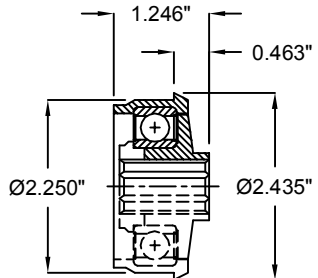
A52 BEARING
 LUBRICATION TYPE: OIL
 LOAD RATING: 425 LBS.
 TEMP. RATING: -20 F TO 140 F
 MAX SPEED: 1200 RPM



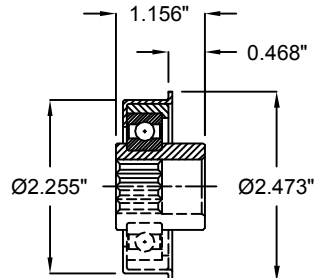
A53 BEARING
 LUBRICATION TYPE: GREASE
 LOAD RATING: 425 LBS.
 TEMP. RATING: -20 F TO 220 F
 MAX SPEED: 1200 RPM



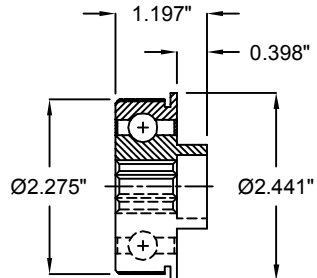
A54 BEARING
 LUBRICATION TYPE: OIL
 LOAD RATING: 1050 LBS.
 TEMP. RATING: -20 F TO 140 F
 MAX SPEED: 1200 RPM



A60 BEARING
 LUBRICATION TYPE: GREASE
 LOAD RATING: 1770 LBS.
 TEMP. RATING: -20 F TO 185 F
 MAX SPEED: 1200 RPM



A63 BEARING
 LUBRICATION TYPE: GREASE
 LOAD RATING: 1000 LBS.
 TEMP. RATING: -4 F TO 180 F
 MAX SPEED: 200 RPM

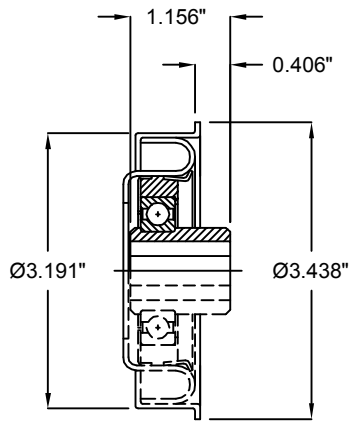
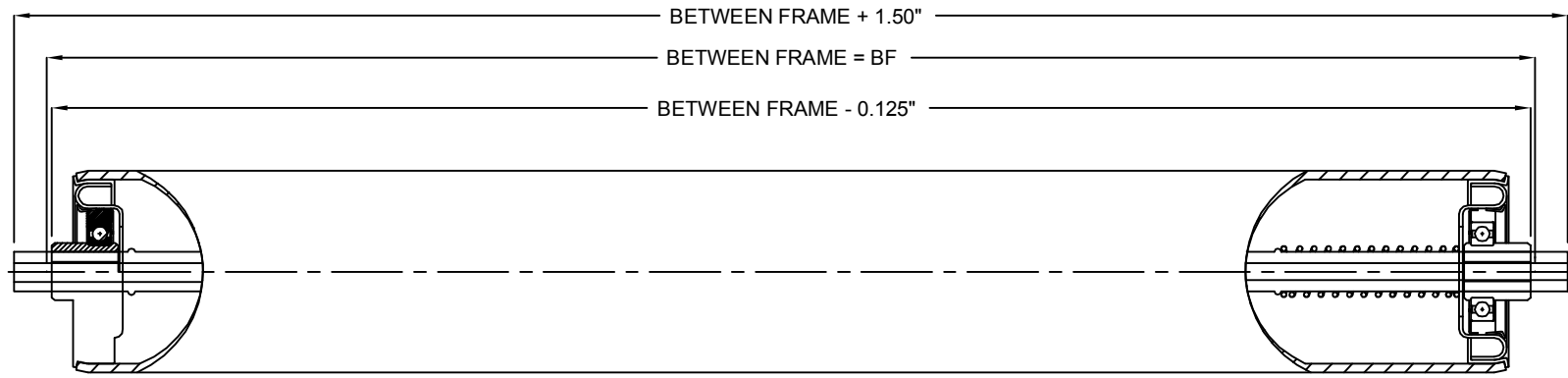


A66 BEARING
 LUBRICATION TYPE: GREASE
 LOAD RATING: 1000 LBS.
 TEMP. RATING: -20 F TO 220 F
 MAX SPEED: 1200 RPM

| SPECIFICATIONS | |
|--|--|
| BETWEEN FRAME: 6" - 61" | |
| ROLL CONSTRUCTION: Round tube, 2.625" Diameter, 7 Gauge, HRPO. | |
| BEARINGS: Standard (A50) Non-precision. Optional Non-precision, Semi-precision and Precision bearings; oiled or grease packed. All bearings with 11/16" hex axle. | |
| AXLE RETENTION: Standard 3" Spring staked one side. Optional cotter pins. | |
| ROLLER SURFACE: Standard Carbon Steel. | |

Model: R2607 - Roller Assembly

| | |
|-----|--|
| REV | |
| 0 | |



A71 BEARING
 LUBRICATION TYPE: GREASE
 LOAD RATING: 1000 LBS.
 TEMP. RATING: -4 F TO 240 F
 MAX SPEED: 325 RPM

SPECIFICATIONS

BETWEEN FRAME: 6" - 61"

ROLL CONSTRUCTION: Round tube, 3.5" Diameter, 9 Gauge, HRPO.

BEARINGS: Standard (A71) Non Precision, Grease, 11/16" Hex axle.

AXLE RETENTION: Standard 3" Spring staked one side. Optional cotter pins.

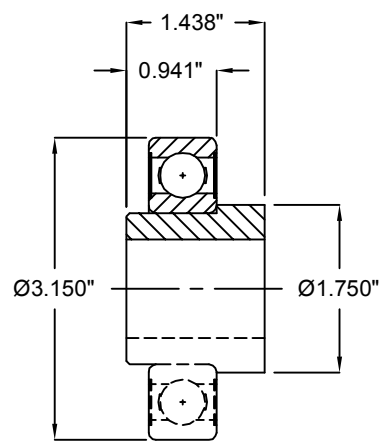
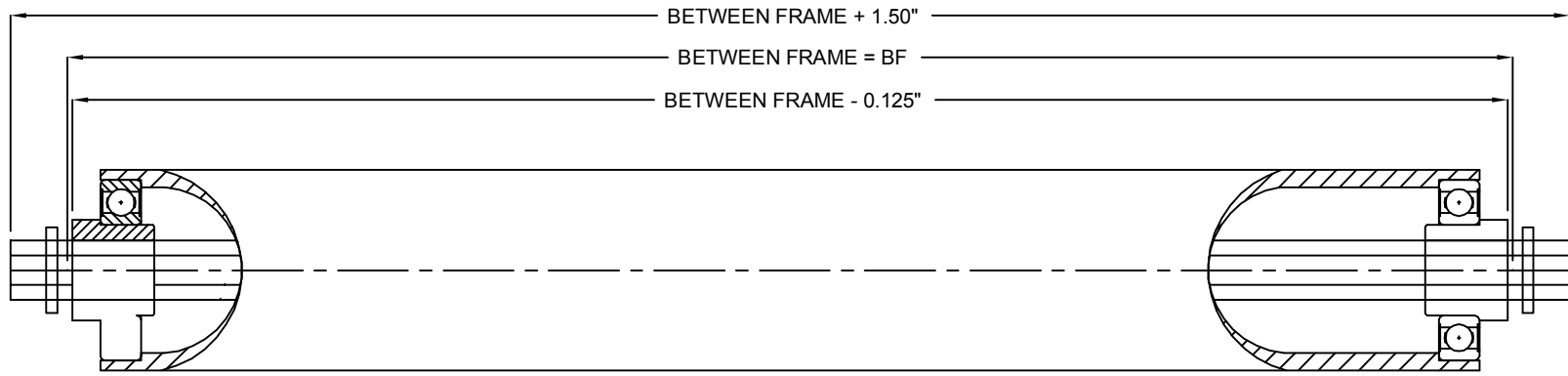
ROLLER SURFACE: Standard Carbon Steel. Optional Orange Polyurethane, 1/8" wall.

Model: R3509 - Roller Assembly

REV

0





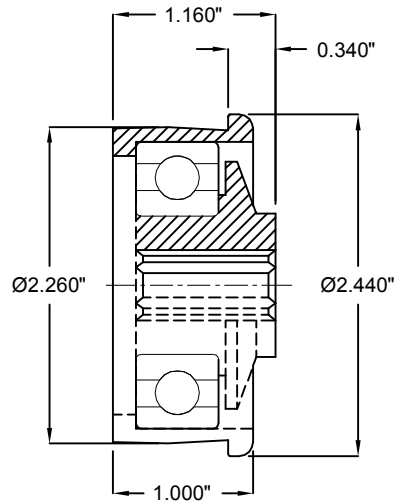
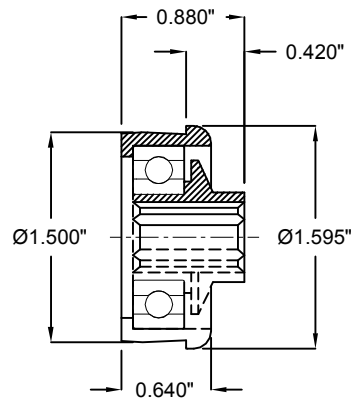
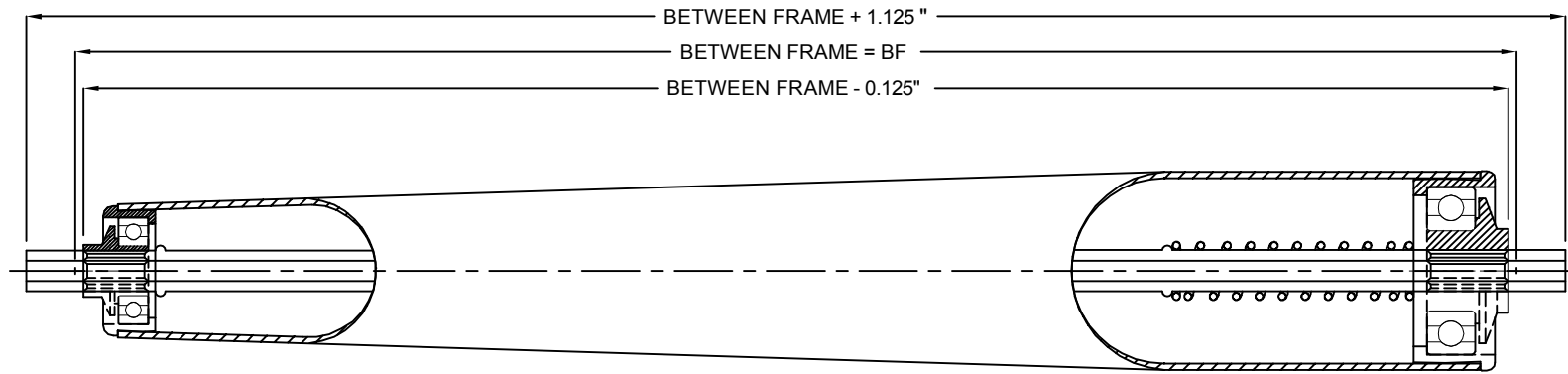
A80 BEARING
 LUBRICATION TYPE: GREASE
 LOAD RATING: 4000 LBS.
 TEMPERATURE RATING: -10 F TO 220 F
 MAX SPEED: 1200 RPM

| SPECIFICATIONS | |
|---------------------------|---|
| BETWEEN FRAME: | 6" - 90" |
| ROLL CONSTRUCTION: | Round tube, 3.5" Diameter, 9 Gauge, HRPO. |
| BEARINGS: | Standard (A80) Precision, Grease, 1" Hex axle. |
| AXLE RETENTION: | Standard cotter pins. |
| ROLLER SURFACE: | Standard Carbon Steel. Optional Orange Polyurethane, 1/8" wall. |

Model: R3530 - Roller Assembly

| |
|-----|
| REV |
| 0 |





A44 BEARING
 LUBRICATION TYPE: GREASE
 LOAD RATING: 145 LBS.
 TEMP. RATING: -40 F TO 250 F
 MAX SPEED: 200 RPM

SPECIFICATIONS

BETWEEN FRAME: 13" - 39"

ROLL CONSTRUCTION: Round tube, 2.50" Diameter, 14 Gauge, HRPO. Tapered to 1.68" Diameter

BEARINGS: Standard (A44) Precision, Grease with 7/16" hex axle.

AXLE RETENTION: Standard 3" Spring staked one side. Optional cotter pins.

ROLLER SURFACE: Standard Carbon Steel.

Model: R25TR - Roller Assembly, Tapered

REV

0

