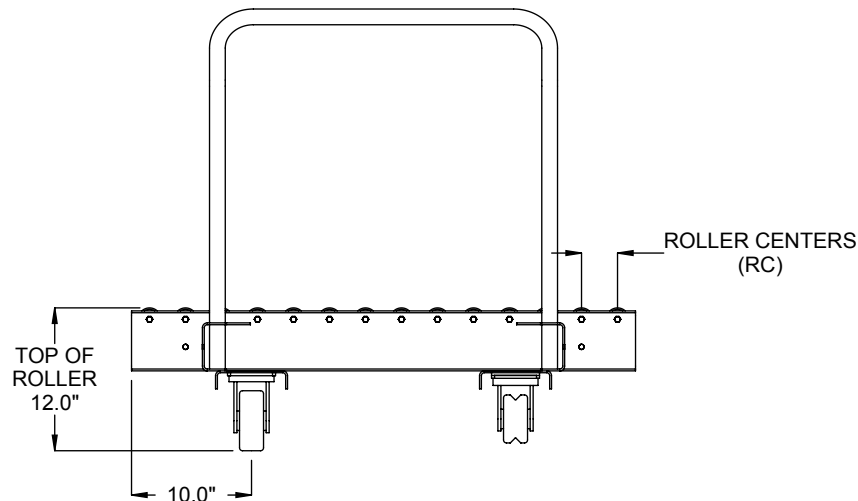
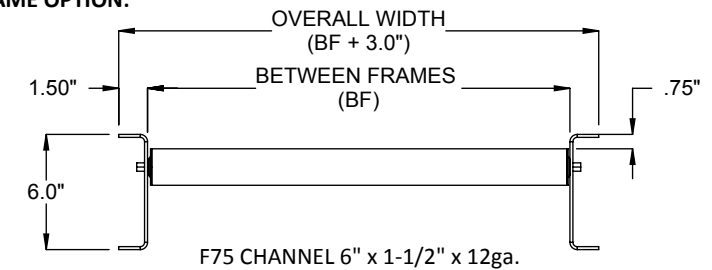


FRAME OPTION:



### SPECIFICATIONS

**BETWEEN FRAMES:** 15" - 51"

**LENGTH:** 60" - 120"

**ROLLER CENTERS:** 3", 4", 5", 6"

**ROLLERS:** 1.9" dia., 16ga wall tube with 7/16" hex cold rolled steel axles, spring retained. Standard A15 bearings are light oil lubricated. Optional bearings include combination of precision, semi-precision and non precision construction with light oil or grease packed lubrication.

**FRAMES:** Standard F74 set high 5" x 1-1/2" x 12ga formed steel channel with bolted 1-1/8" x 1/8" angle crossties. Optional F75 set low 6" x 1-1/2" x 12ga.

**ROLL COVERS:** Standard carbon steel. Optional Orange Polyurethane, 1/8" wall or galvanized tube.

**CASTERS:** 4" cast iron V-groove and 5" phenolic.

**HANDLE:** 1" pipe with hand grip.

**FRAME FINISH:** Standard finish is OSHA safety blue powder. Optional colors include green, beige, gray, orange, black and yellow.

**Model:** PTTC19 - Pass Thru Transfer Car, 1.9" diameter 16 gauge roller

REV

0

