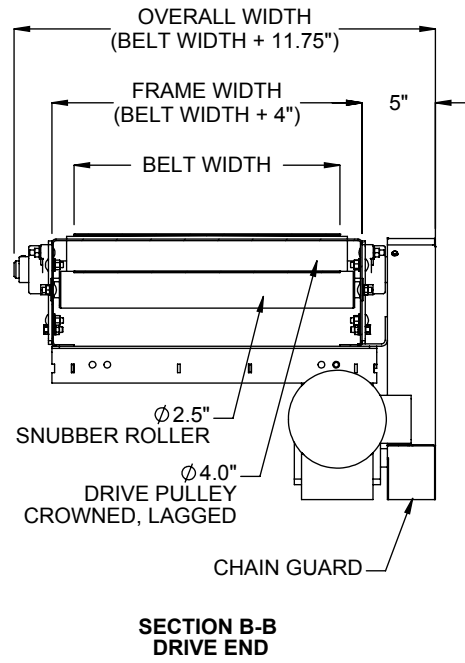
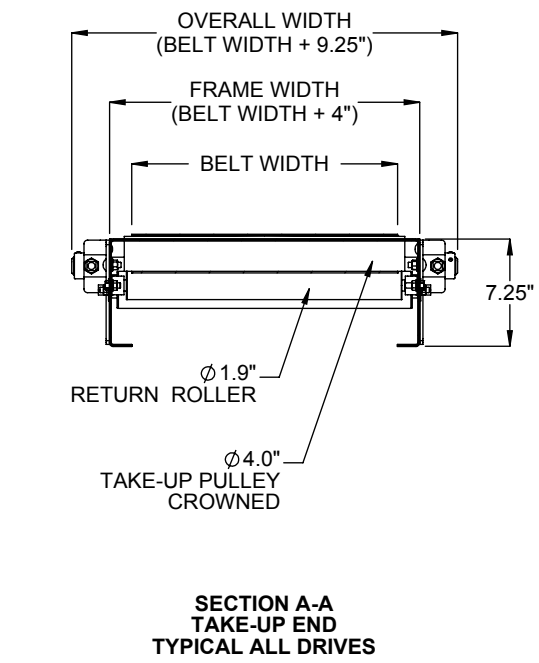
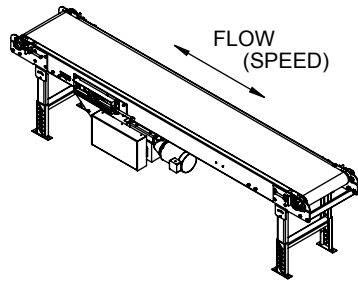


**END DRIVE, BOTTOM RIGHT HAND (SHOWN)
END DRIVE, BOTTOM LEFT HAND (OPPOSITE)**

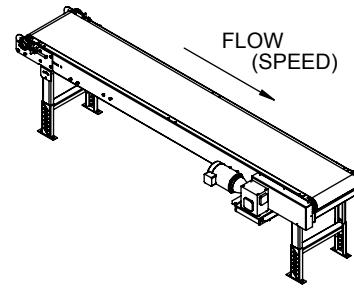


SPECIFICATIONS	
BELT WIDTH: 12", 18", 24", 30", 36"	
BEGINNING ELEVATION: 7.25" - 126"	LENGTH: 48" - 1200"
ENDING ELEVATION: 7.25" - 126"	SPEED: 15 - 300 FPM
BELT: Standard is Trackmate 120 EMB embossed cover with clipper lace. Optional belts include Trackmate rough top, Trackmate friction cover, Trackmate longitudinal groove, food grade white PVC & plied rubber slip top. Other belt options available.	
DRIVE: Standard drive is an end drive, bottom right hand. Optional drives include end drive bottom left hand; side drive right or left hand side; center drive right or left hand.	
MOTOR: 1/2 HP through 2 HP. Energy efficient, inverter duty & brake motors also available. Voltages include 120/1/60, 230/3/60, 460/3/60, 575/3/60 & DC voltage.	
SUPPORT CENTERS: Standard supports are floor supports on 10' centers. Optional floor supports on 5' centers; ceiling supports on 5' & 10' centers.	
GUARDRAIL: Optional 2.5", 4.0", 6.0"; 12ga bolt on channel or 1/4" flat welded	
FRAME FINISH: Standard finish is OSHA safety blue powder. Optional colors include green, beige, gray, orange, black and yellow.	

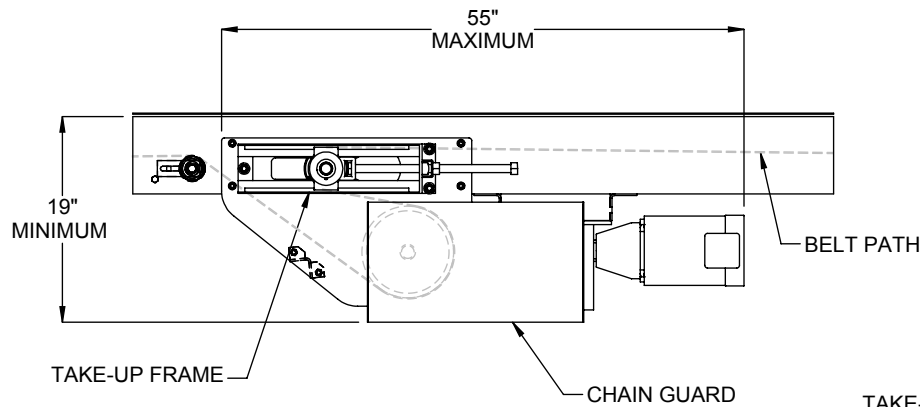
Model: MDSB - Medium Duty Slider Bed Belt Conveyor



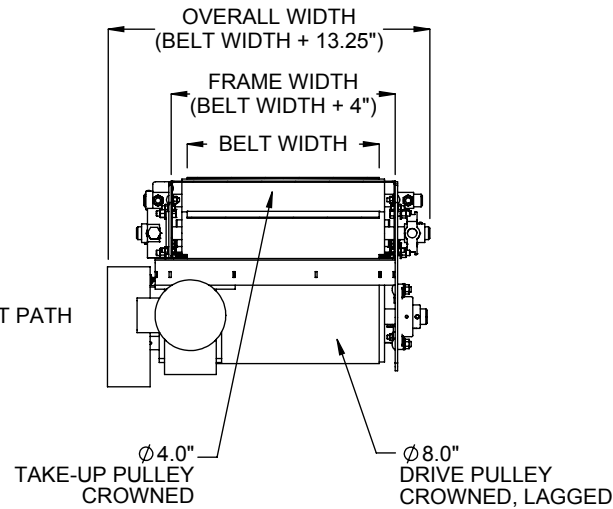
CENTER DRIVE, RIGHT HAND (SHOWN)
CENTER DRIVE, LEFT HAND (OPPOSITE)



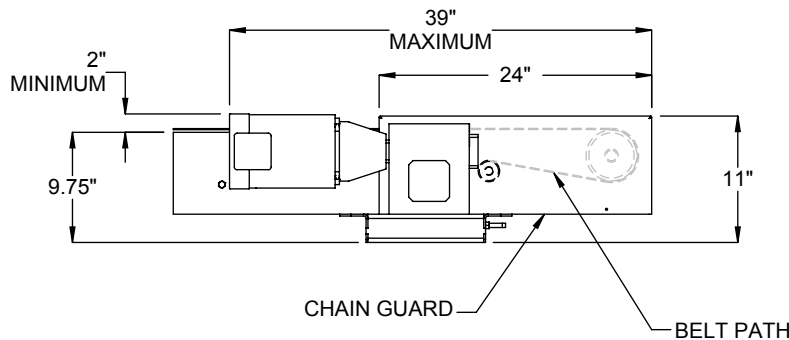
SIDE DRIVE, RIGHT HAND (SHOWN)
SIDE DRIVE, LEFT HAND (OPPOSITE)



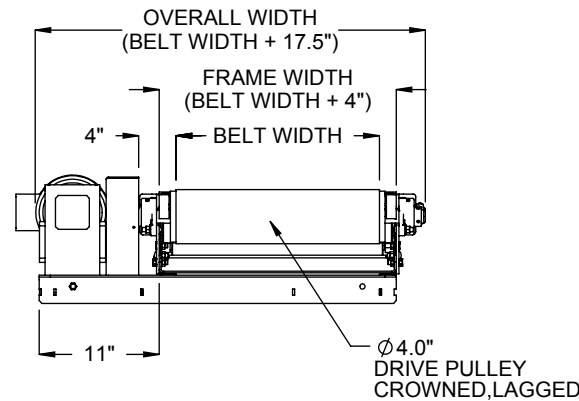
CENTER DRIVE OPTION



CENTER DRIVE
END VIEW



SIDE DRIVE OPTION



SIDE DRIVE
END VIEW

LOAD CAPACITY @ 60 FPM (LBS)

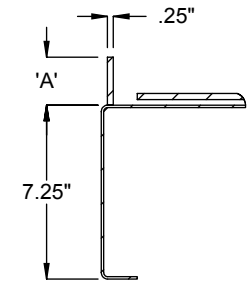
HP	WIDTH				
	12"	18"	24"	30"	36"
1/2	295	285	280	275	260
3/4	445	440	435	425	420
1	600	590	585	580	570
1 1/2	905	900	890	885	880
2	1210	1205	1200	1190	1185

LOAD CAPACITY @ 30 FPM (LBS)

HP	WIDTH				
	12"	18"	24"	30"	36"
1/2	600	595	590	580	575
3/4	910	900	895	890	880
1	1215	1205	1200	1195	1185
1 1/2	-	1820	1810	1805	1800
2	-	-	2425	2420	2410

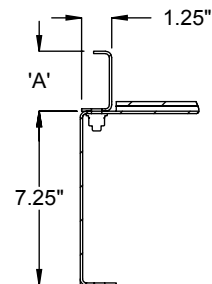
MAXIMUM LOAD PER LINEAR FOOT OF CONVEYOR IS 125 POUNDS - NOT TO EXCEED CAPACITY ABOVE

GUARD RAIL OPTIONS



A
2.5"
4.0"
6.0"

1/4" WELD ON FLAT BAR



12ga BOLT ON CHANNEL