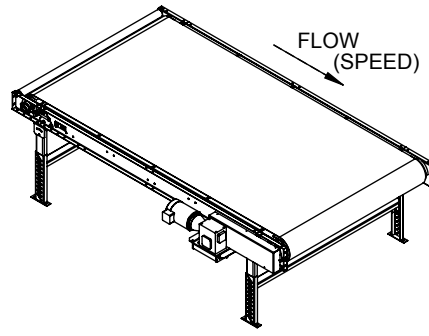
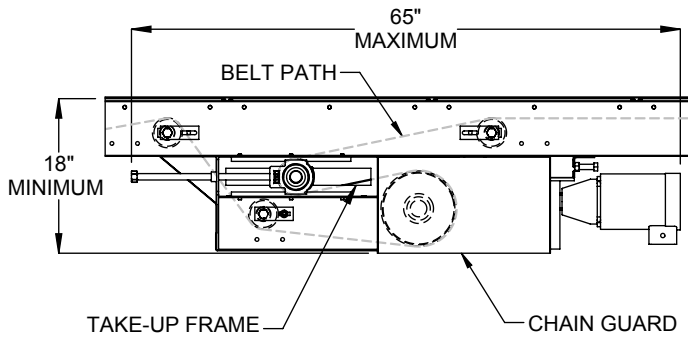


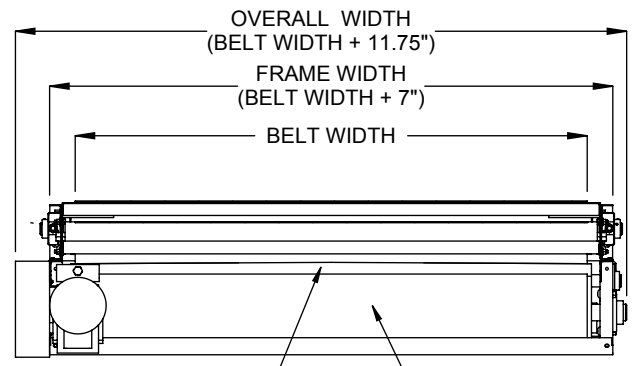
**CENTER DRIVE, RIGHT HAND (SHOWN)
CENTER DRIVE, LEFT HAND (OPPOSITE)**



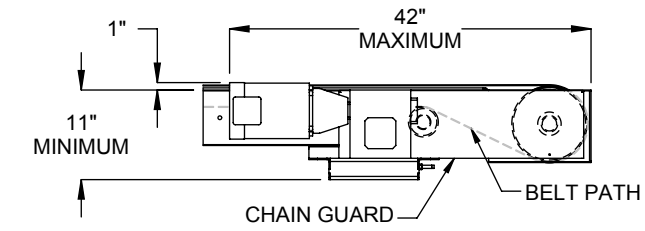
**SIDE DRIVE, RIGHT HAND (SHOWN)
SIDE DRIVE, LEFT HAND (OPPOSITE)**



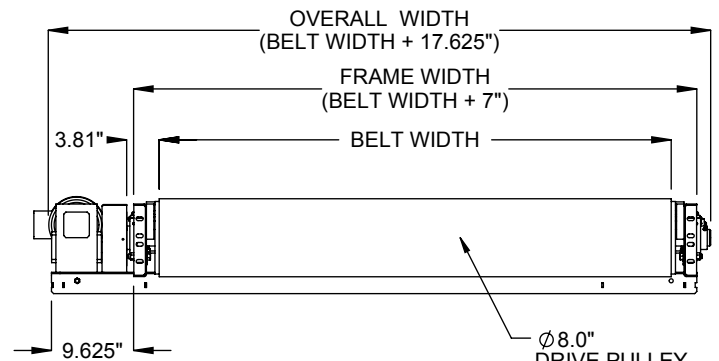
CENTER DRIVE OPTION



**CENTER DRIVE
END VIEW**



SIDE DRIVE OPTION



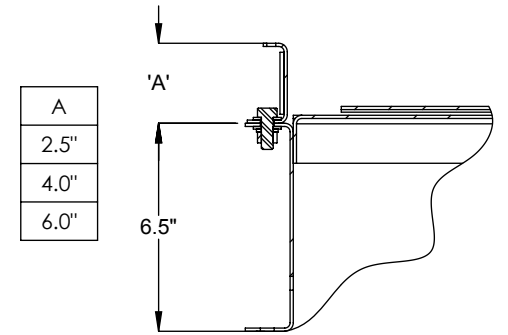
**SIDE DRIVE
END VIEW**

LOAD CAPACITY @ 60 FPM (LBS)				
HP	WIDTH			
	54"	60"	66"	72"
1/2	245	240	235	225
3/4	400	395	385	380
1	550	545	540	530
1 1/2	860	850	845	840
2	1165	1155	1150	1145

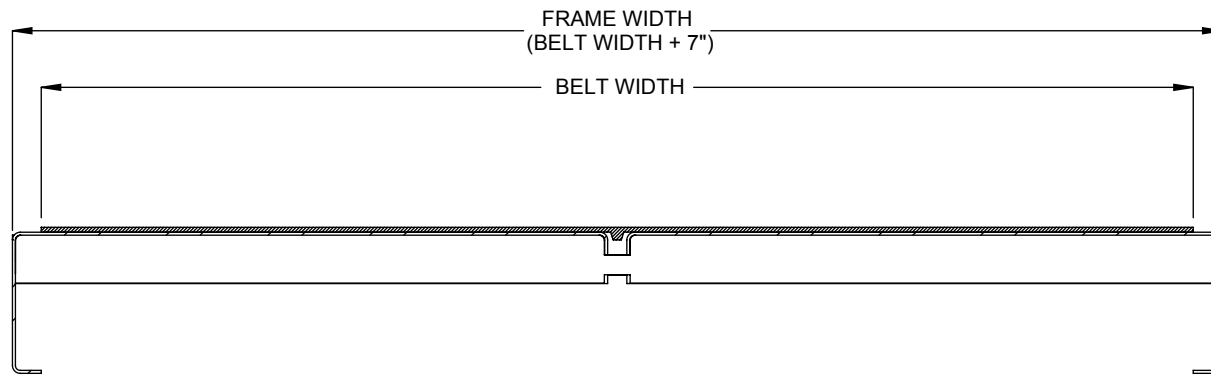
LOAD CAPACITY @ 30 FPM (LBS)				
HP	WIDTH			
	54"	60"	66"	72"
1/2	555	550	540	535
3/4	860	855	850	840
1	1165	1160	1155	1145
1 1/2	1780	1770	1765	1760
2	2390	2385	2380	2370

MAXIMUM LOAD PER LINEAR FOOT OF CONVEYOR IS 100 POUNDS - NOT TO EXCEED CAPACITY ABOVE

GUARD RAIL OPTION



8ga BOLT ON CHANNEL



OPTIONAL V-BELT CONSTRUCTION

NOTE: PULLEYS ARE GROOVED TO ACCOMMODATE THE V-BELT