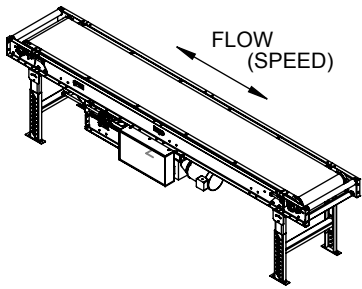
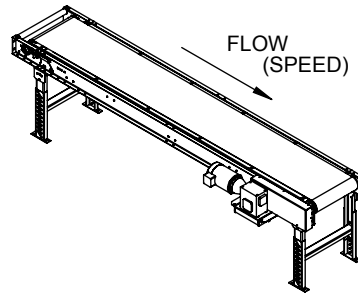


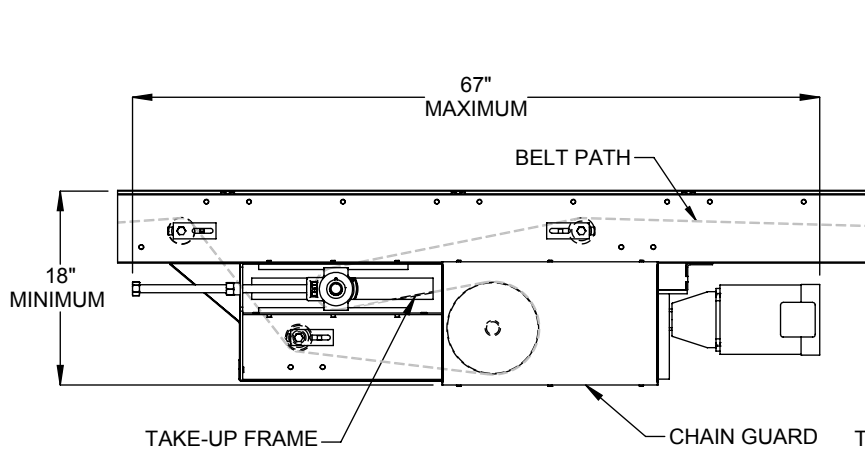
SPECIFICATIONS	
BELT WIDTH: 12", 18", 24", 30", 36", 42", 48"	
BEGINNING ELEVATION: 6.75" - 126"	LENGTH: 48" - 1200"
ENDING ELEVATION: 6.75" - 126"	SPEED: 15 - 200 FPM
BELT: Standard is Trackmate 120 EMB embossed cover with clipper lace. Optional belts include Trackmate rough top, Trackmate friction cover, Trackmate longitudinal groove, food grade white PVC & plied rubber slip top. Other belt options available.	
DRIVE: Standard drive is an end drive, bottom right hand. Optional drives include end drive, bottom left hand; side drive right or left hand side; center drive right or left hand.	
MOTOR: 1/2 HP through 2 HP. Energy efficient, inverter duty & brake motors also available. Voltages include 120/1/60, 230/3/60, 460/3/60, 575/3/60 & DC voltage.	
SUPPORT CENTERS: Standard supports are floor supports on 10' centers. Optional floor supports on 5' centers; ceiling supports on 5' & 10' centers.	
GUARDRAIL: Optional 2.5", 4.0" & 6.0"; 12ga bolt on channel.	
FRAME FINISH: Standard finish is OSHA safety blue powder. Optional colors include green, beige, gray, orange, black and yellow.	



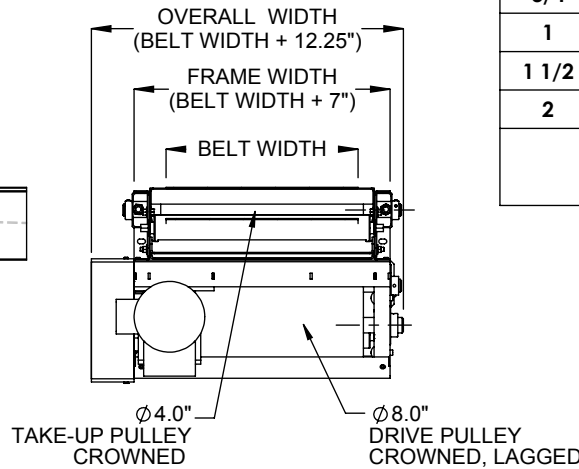
CENTER DRIVE, RIGHT HAND (SHOWN)
CENTER DRIVE, LEFT HAND (OPPOSITE)



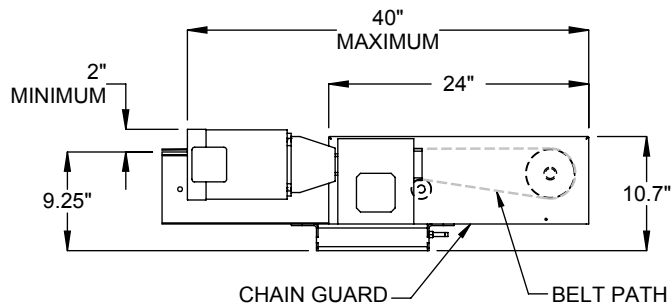
SIDE DRIVE, RIGHT HAND (SHOWN)
SIDE DRIVE, LEFT HAND (OPPOSITE)



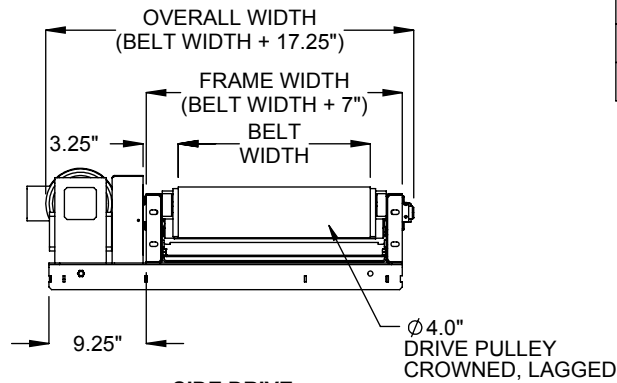
CENTER DRIVE OPTION



CENTER DRIVE
END VIEW



SIDE DRIVE OPTION



SIDE DRIVE
END VIEW

LOAD CAPACITY @ 60 FPM (LBS)

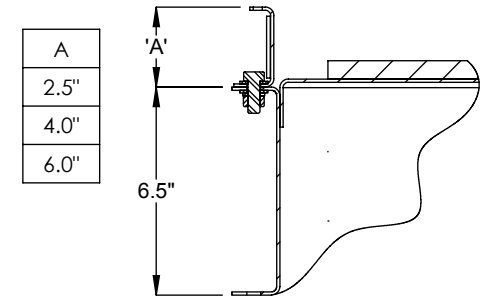
HP	WIDTH						
	12"	18"	24"	30"	36"	42"	48"
1/2	290	285	280	270	265	260	250
3/4	445	440	435	425	420	410	405
1	600	590	585	580	570	565	560
1 1/2	905	895	890	885	880	870	865
2	1210	1205	1200	1190	1185	1175	1170

LOAD CAPACITY @ 30 FPM (LBS)

HP	WIDTH						
	12"	18"	24"	30"	36"	42"	48"
1/2	600	590	585	580	575	570	560
3/4	905	900	895	890	880	875	870
1	1210	1205	1200	1195	1185	1180	1175
1 1/2	-	1815	1810	1805	1800	1790	1785
2	-	-	2425	2420	2410	2405	2400

MAXIMUM LOAD PER LINEAR FOOT OF CONVEYOR IS 100 POUNDS - NOT TO EXCEED CAPACITY ABOVE

GUARD RAIL OPTION



12ga BOLT ON CHANNEL