



Model: SWR06ED

Normal Duty Walk-In Oven

LEWCO Normal-Duty Batch Ovens are designed for common applications, such as pre-heating, drying, and baking. These models offer quality and performance at economical prices. Heavy-duty construction and industry standard components yield durable and reliable equipment. The SWR series features a rear mounted heater box, which is ideal for installations with height restrictions. Each unit is fully assembled, wired, and tested prior to shipment. All LEWCO ovens are manufactured to meet the requirements of NFPA 86.

Operating Temperature

- 200°F - 650°F (93°C -343°C)

Heating Source & Capacity

- Electric, low watt density Incoloy® heaters provide years of trouble free service.
- Standard heater bank assemblies are installed in high velocity ductwork to maximize heat transfer.

Airflow Pattern

- Dual Airflow: Hot air is supplied from both of the side walls and returned through a top plenum.

General Construction

- 16 ga. aluminized steel interior
- 18 ga. cold rolled steel exterior
- Heat loss is minimized by a unique wall design featuring a welded inner shell and a completely isolated outer frame and covers.

Finish

- Blue or gray alkyd enamel
- Optional: Premium finish for corrosive environments

Doors

- Heavy-duty doors on an isolated door frame minimize heat loss. Wire core gaskets create a tight seal for efficient heating.
- Explosion venting latches
- Standard: Bi-parting swing doors
- Optional:
 - Vertical lift guillotine door
 - Door windows

Floor

- Standard: 12 ga. plate floor
- Optional:
 - 12 ga. plate floor with (1) pair inverted angle track
 - 12 ga. plate floor with (1) pair 6" wide wheel guides
 - Insulated (100 p.s.f. max.)
 - Insulated with (1) pair inverted angle track
 - Insulated with (1) pair 6" wide wheel guides
 - No floor

Input Voltage

- Standard 480/3/60
- Please consult factory for other available options.

Controls

- Single set-point temperature controller and redundant high-limit controller
- NEMA 12 enclosure with full voltage lockable disconnect switch
- Circulation fan(s) include air proving circuits that are electrically interlocked with the heating circuit.
- Controls are wired to NFPA 70 and 79 electrical standards, and meet the requirements of NFPA 86, Class B ovens.
- Optional:
 - Door Switch
 - Batch Timer
 - Ramp/ Soak controller
 - Data logger/ chart recorder
 - Zero speed switch for fans
 - Composite curing controls

Quality Assurance

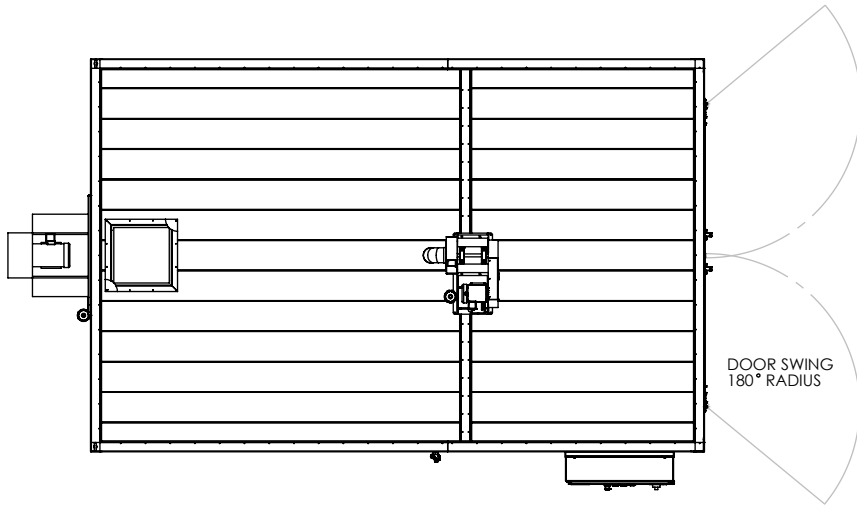
- Each unit comes complete with a (1) year warranty and is fully assembled, wired, and tested prior to shipment.
- Unit manufactured under ISO 9001 Quality Certified System.

Model (NFPA Class B)	Overall Dimensions			Door Swing Radius	Workspace Dimensions			Workspace Volume (cubic ft.)	Heater Bank (kW)	Circulating Fan (CFM)	Motor (HP)	Air Changes per Minute	Exhaust Fan Capacity (CFM)	Exhaust Motor (HP)	Solvents per Batch (Gals.)	Ships Fully Assembled
	"W	"D	"H		"W	"D	"H									
SWR06ED-48-48-60	82	107	73	24	48	48	60	80	36	1,700	1	21.25	N/A	N/A	0	Yes
SWR06ED-48-48-72	81	106	84	24	48	48	72	96	45	2,000	1 1/2	20.83	N/A	N/A	0	Yes
SWR06ED-48-48-96	83	106	108	24	48	48	96	128	54	2,500	2	19.53	N/A	N/A	0	Yes
SWR06ED-48-72-72	83	134	84	24	48	72	72	144	54	3,000	2	20.83	N/A	N/A	0	Yes
SWR06ED-48-72-96	85	140	108	24	48	72	96	192	63	4,000	3	20.83	N/A	N/A	0	Yes
SWR06ED-48-96-72	85	164	84	24	48	96	72	192	63	4,000	3	20.83	N/A	N/A	0	Yes
SWR06ED-48-96-96	89	168	108	24	48	96	96	256	72	5,000	3	19.53	N/A	N/A	0	Yes
SWR06ED-60-60-60	95	118	72	30	60	60	60	125	45	2,500	2	20.00	N/A	N/A	0	Yes
SWR06ED-60-60-72	95	122	84	30	60	60	72	150	54	3,000	2	20.00	N/A	N/A	0	Yes
SWR06ED-60-60-96	97	128	108	30	60	60	96	200	63	4,000	3	20.00	N/A	N/A	0	Yes
SWR06ED-60-72-72	97	134	84	30	60	72	72	180	54	3,500	3	19.44	N/A	N/A	0	Yes
SWR06ED-60-72-96	99	144	108	30	60	72	96	240	72	4,500	3	18.75	N/A	N/A	0	Yes
SWR06ED-60-96-96	103	174	108	30	60	96	96	320	81	6,000	3	18.75	N/A	N/A	0	Yes
SWR06ED-72-72-72	109	140	84	36	72	72	72	216	63	4,000	3	18.52	N/A	N/A	0	Yes
SWR06ED-72-72-96	113	150	108	36	72	72	96	288	72	5,500	3	19.09	N/A	N/A	0	Yes
SWR06ED-72-96-96	121	174	108	36	72	96	96	384	90	8,000	5	20.83	N/A	N/A	0	Yes
SWR06ED-72-120-96	125	198	108	36	72	120	96	480	99	9,000	7 1/2	18.75	N/A	N/A	0	Yes
SWR06ED-84-84-84	129	162	96	42	84	84	84	343	81	7,000	5	20.41	N/A	N/A	0	Yes
SWR06ED-84-96-84	133	174	96	42	84	96	84	392	90	8,000	5	20.41	N/A	N/A	0	Yes
SWR06ED-84-120-84	137	205	96	42	84	120	84	490	99	10,000	7 1/2	20.41	N/A	N/A	0	Yes
SWR06ED-84-120-96	141	210	108	42	84	120	96	560	108	12,000	7 1/2	21.43	N/A	N/A	0	Yes
SWR06ED-96-96-96	149	181	108	48	96	96	96	512	108	10,000	7 1/2	19.53	N/A	N/A	0	Yes
SWR06ED-96-120-96	153	210	108	48	96	120	96	640	126	12,000	7 1/2	18.75	N/A	N/A	0	Yes
SWR06ED-96-144-96	161	243	108	48	96	144	96	768	144	16,000	10	20.83	N/A	N/A	0	Yes
SWR06ED-96-168-96	167	267	108	48	96	168	96	896	162	18,000	15	20.08	N/A	N/A	0	Yes
SWR06ED-120-120-96	185	219	108	60	120	120	96	800	144	16,000	10	20.00	N/A	N/A	0	Yes
SWR06ED-120-120-120	193	224	132	60	120	120	120	1,000	162	20,000	15	20.00	N/A	N/A	0	Yes
SWR06ED-120-144-96	191	243	108	60	120	144	96	960	162	18,000	15	18.75	N/A	N/A	0	Yes
SWR06ED-120-144-120	197	218	132	60	120	144	120	1,200	189	24,000	15	20.00	N/A	N/A	0	Yes
SWR06ED-120-168-96	193	242	108	60	120	168	96	1,120	180	22,000	15	19.64	N/A	N/A	0	Yes
SWR06ED-120-168-120	203	242	132	60	120	168	120	1,400	207	26,000	15	18.57	N/A	N/A	0	Yes

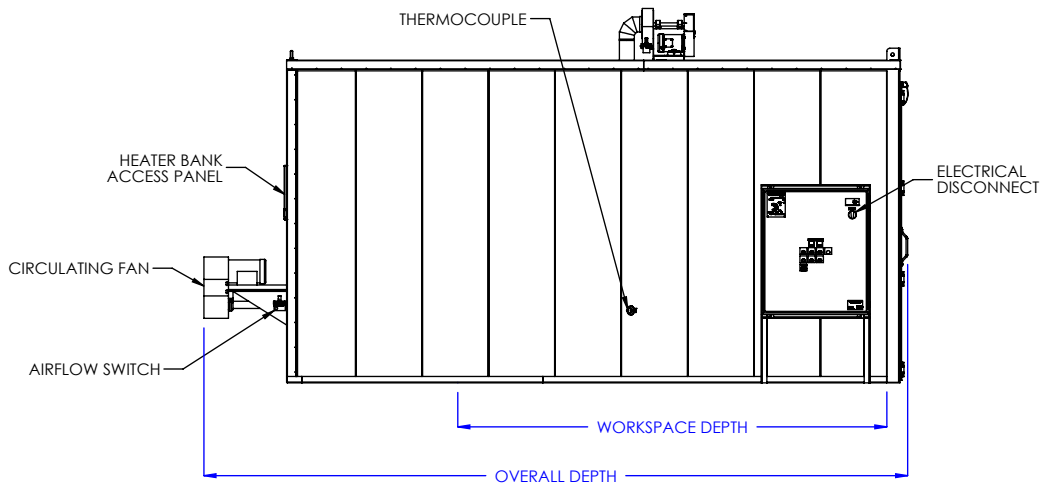
NOTE: Sizes are approximate. LEWCO, Inc. reserves the right to change specifications without notice.

Model (NFPA Class A)	Overall Dimensions			Door Swing Radius	Workspace Dimensions			Workspace Volume (cubic ft.)	Heater Bank (kW)	Circulating Fan (CFM)	Motor (HP)	Air Changes per Minute	Exhaust Fan Capacity (CFM)	Exhaust Motor (HP)	Solvents per Batch (Gals.)	Ships Fully Assembled
	"W	"D	"H		"W	"D	"H									
SWR06ED-48-48-60	82	107	124	24	48	48	60	80	45	1,700	1	21.25	62	1/4	0.04	Yes
SWR06ED-48-48-72	81	106	135	24	48	48	72	96	54	2,000	1 1/2	20.83	62	1/4	0.04	Yes
SWR06ED-48-48-96	83	106	159	24	48	48	96	128	63	2,500	2	19.53	62	1/4	0.04	No
SWR06ED-48-72-72	83	134	135	24	48	72	72	144	63	3,000	2	20.83	62	1/4	0.04	Yes
SWR06ED-48-72-96	85	140	159	24	48	72	96	192	72	4,000	3	20.83	62	1/4	0.04	No
SWR06ED-48-96-72	85	164	135	24	48	96	72	192	72	4,000	3	20.83	62	1/4	0.04	Yes
SWR06ED-48-96-96	89	168	159	24	48	96	96	256	81	5,000	3	19.53	62	1/4	0.04	No
SWR06ED-60-60-60	95	118	123	30	60	60	60	125	54	2,500	2	20.00	62	1/4	0.04	Yes
SWR06ED-60-60-72	95	122	135	30	60	60	72	150	63	3,000	2	20.00	62	1/4	0.04	Yes
SWR06ED-60-60-96	97	128	159	30	60	60	96	200	72	4,000	3	20.00	62	1/4	0.04	No
SWR06ED-60-72-72	97	134	135	30	60	72	72	180	63	3,500	3	19.44	62	1/4	0.04	Yes
SWR06ED-60-72-96	99	144	159	30	60	72	96	240	81	4,500	3	18.75	62	1/4	0.04	No
SWR06ED-60-96-96	103	174	159	30	60	96	96	320	108	6,000	3	18.75	100	1/4	0.07	No
SWR06ED-72-72-72	109	140	135	36	72	72	72	216	72	4,000	3	18.52	62	1/4	0.04	Yes
SWR06ED-72-72-96	113	150	159	36	72	72	96	288	81	5,500	3	19.09	62	1/4	0.04	No
SWR06ED-72-96-96	121	174	159	36	72	96	96	384	108	8,000	5	20.83	100	1/4	0.07	No
SWR06ED-72-120-96	125	198	159	36	72	120	96	480	135	9,000	7 1/2	18.75	100	1/4	0.07	No
SWR06ED-84-84-84	129	162	147	42	84	84	84	343	108	7,000	5	20.41	100	1/4	0.07	No
SWR06ED-84-96-84	133	174	147	42	84	96	84	392	108	8,000	5	20.41	100	1/4	0.07	No
SWR06ED-84-120-84	137	205	147	42	84	120	84	490	162	10,000	7 1/2	20.41	250	1/4	0.18	No
SWR06ED-84-120-96	141	210	159	42	84	120	96	560	162	12,000	7 1/2	21.43	250	1/4	0.18	No
SWR06ED-96-96-96	149	181	159	48	96	96	96	512	162	10,000	7 1/2	19.53	250	1/4	0.18	No
SWR06ED-96-120-96	153	210	159	48	96	120	96	640	171	12,000	7 1/2	18.75	250	1/4	0.18	No
SWR06ED-96-144-96	161	243	159	48	96	144	96	768	189	16,000	10	20.83	250	1/4	0.18	No
SWR06ED-96-168-96	167	267	159	48	96	168	96	896	207	18,000	15	20.08	250	1/4	0.18	No
SWR06ED-120-120-96	185	219	159	60	120	120	96	800	189	16,000	10	20.00	250	1/4	0.18	No
SWR06ED-120-120-120	193	224	183	60	120	120	120	1,000	225	20,000	15	20.00	250	1/4	0.18	No
SWR06ED-120-144-96	191	243	159	60	120	144	96	960	207	18,000	15	18.75	250	1/4	0.18	No
SWR06ED-120-144-120	197	218	183	60	120	144	120	1,200	234	24,000	15	20.00	250	1/4	0.18	No
SWR06ED-120-168-96	193	242	159	60	120	168	96	1,120	225	22,000	15	19.64	250	1/4	0.18	No
SWR06ED-120-168-120	203	242	183	60	120	168	120	1,400	288	26,000	15	18.57	500	0	0.37	No

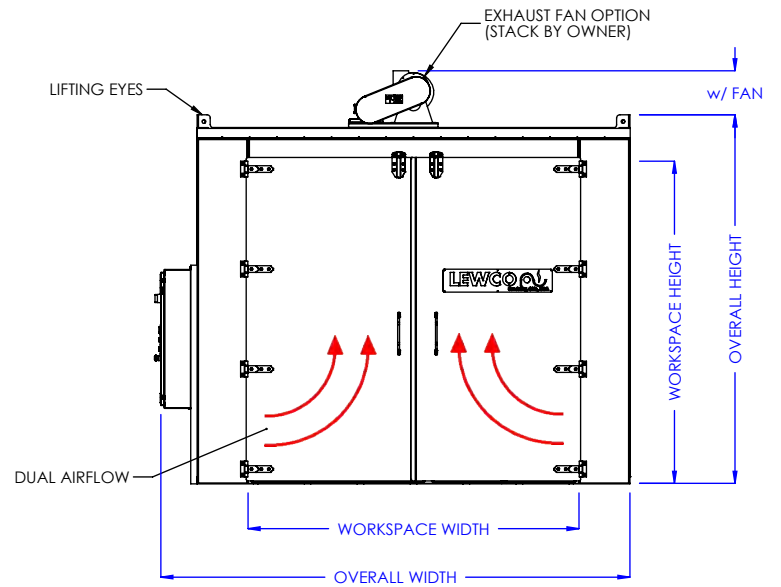
NOTE: Sizes are approximate. LEWCO, Inc. reserves the right to change specifications without notice.



PLAN VIEW



LEFT SIDE ELEVATION



FRONT ELEVATION

MODEL: SWR06ED

DESCRIPTION: NORMAL DUTY WALK-IN OVEN, REAR MOUNT HEATER,
650° F, ELECTRIC, DUAL AIRFLOW

WARNING: OVENS PROCESSING FLAMMABLE
VOLATILES OR COMBUSTIBLE MATERIALS ARE
CLASSIFIED BY NFPA 86 AS "CLASS A" OVENS
AND REQUIRE SPECIFIC SAFETY FEATURES.
KNOW THE PROPERTIES OF THE MATERIALS
BEING HEATED. EXPLOSION OR FIRE MAY
RESULT FROM MISAPPLICATION.

LEWCO, INC. IS COMMITTED TO CONTINUOUS
IMPROVEMENT AND RESERVES THE RIGHT TO CHANGE
DESIGNS AND SPECIFICATIONS WITHOUT NOTICE.

THIS DRAWING MUST NOT BE COPIED, REPRODUCED
OR USED FOR ANY PURPOSE WITHOUT THE WRITTEN
CONSENT OF LEWCO, INC. ALL RIGHTS RESERVED.

DATE: 10/9/2017

REV. 001

PAGE: 1 of 1

LEWCO

706 LANE ST. SANDUSKY, OH 44870, U.S.A.