



Model: EWR03EH

### Enhanced Duty Walk-In Oven

LEWCO Enhanced-Duty Batch Ovens are designed for critical applications, such as those in the advanced materials and aerospace industries. These models offer all of the same construction features as the Normal-Duty ovens; however the performance is "enhanced" by adding additional heat capacity and larger circulation fans. Enhanced-Duty ovens also guarantee a temperature uniformity of at least +/- 10°F. The EWR Series features a rear mounted heater box, which is ideal for installations with height restrictions. Each unit is fully assembled, wired, and tested prior to shipment. All LEWCO ovens are manufactured to meet the requirements of NFPA 86.

#### Operating Temperature

- 200°F – 350°F (93°C -177°C)

#### Heating Source & Capacity

- Electric, low watt density Incoloy® heaters provide years of trouble free service.
- Standard heater bank assemblies are installed in high velocity ductwork to maximize heat transfer.

#### Airflow Pattern

- Horizontal Airflow: Hot air is supplied from one side of the wall and pulled across horizontally to the opposite side wall.

#### General Construction

- 16 ga. aluminized steel interior
- 18 ga. cold rolled steel exterior
- Heat loss is minimized by a unique wall design featuring a welded inner shell and a completely isolated outer frame and covers.

#### Finish

- Blue or gray alkyd enamel
- Optional: Premium finish for corrosive environments

#### Doors

- Heavy-duty doors on an isolated door frame minimize heat loss. Wire core gaskets create a tight seal for efficient heating.
- Explosion venting latches
- Standard: Bi-parting swing doors
- Optional:
  - Vertical lift guillotine door
  - Door windows

#### Floor

- Standard: 12 ga. plate floor
- Optional:
  - 12 ga. plate floor with (1) pair inverted angle track
  - 12 ga. plate floor with (1) pair 6" wide wheel guides
  - Insulated (100 p.s.f. max.)
  - Insulated with (1) pair inverted angle track
  - Insulated with (1) pair 6" wide wheel guides
  - No floor

#### Input Voltage

- Standard 480/3/60
- Please consult factory for other available options.

#### Controls

- Single set-point temperature controller and redundant high-limit controller
- NEMA 12 enclosure with full voltage lockable disconnect switch
- Circulation fan(s) include air proving circuits that are electrically interlocked with the heating circuit.
- Controls are wired to NFPA 70 and 79 electrical standards, and meet the requirements of NFPA 86, Class B ovens.
- Optional:
  - Door Switch
  - Batch Timer
  - Ramp/ Soak controller
  - Data logger/ chart recorder
  - Zero speed switch for fans
  - Composite curing controls

#### Quality Assurance

- Each unit comes complete with a (1) year warranty and is fully assembled, wired, and tested prior to shipment.
- Unit manufactured under ISO 9001 Quality Certified System.



# Industrial Batch Ovens

Model: EWR03EH

Model (NFPA Class B)	Overall Dimensions			Door Swing Radius	Workspace Dimensions			Workspace Volume (cubic ft.)	Heater Bank (kW)	Circulating Fan(s) (CFM)	Motor(s) (HP)	Air Changes per Minute	Exhaust Fan Capacity (CFM)	Exhaust Motor (HP)	Solvents per Batch (Gals.)	Ships Fully Assembled
	"W	"D	"H		"W	"D	"H									
EWR03EH-48-48-60	118	106	84	24"	48	48	60	80	36	3,500	3	43.75	N/A	N/A	0	Yes
EWR03EH-48-48-72	122	106	96	24"	48	48	72	96	36	4,000	3	41.67	N/A	N/A	0	Yes
EWR03EH-48-48-96	128	106	120	24"	48	48	96	128	45	5,500	3	42.97	N/A	N/A	0	No
EWR03EH-48-72-72	130	134	96	24"	48	72	72	144	45	6,000	3	41.67	N/A	N/A	0	Yes
EWR03EH-48-72-96	136	140	120	24"	48	72	96	192	45	8,000	5	41.67	N/A	N/A	0	No
EWR03EH-48-96-72	136	164	96	24"	48	96	72	192	45	8,000	5	41.67	N/A	N/A	0	Yes
EWR03EH-48-96-96	148	168	120	24"	48	96	96	256	54	12,000	7 1/2	46.88	N/A	N/A	0	No
EWR03EH-60-60-60	140	118	84	30"	60	60	60	125	45	5,000	3	40.00	N/A	N/A	0	Yes
EWR03EH-60-60-72	142	122	96	30"	60	60	72	150	45	6,000	3	40.00	N/A	N/A	0	Yes
EWR03EH-60-60-96	148	128	120	30"	60	60	96	200	45	8,000	5	40.00	N/A	N/A	0	No
EWR03EH-60-72-72	148	134	96	30"	60	72	72	180	45	8,000	5	44.44	N/A	N/A	0	Yes
EWR03EH-60-72-96	154	144	120	30"	60	72	96	240	54	10,000	7 1/2	41.67	N/A	N/A	0	No
EWR03EH-60-96-96	164	174	120	30"	60	96	96	320	54	14,000	10	43.75	N/A	N/A	0	No
EWR03EH-72-72-72	160	140	96	36"	72	72	72	216	45	9,000	7 1/2	41.67	N/A	N/A	0	Yes
EWR03EH-72-72-96	172	150	120	36"	72	72	96	288	54	12,000	7 1/2	41.67	N/A	N/A	0	No
EWR03EH-72-96-96	194	174	120	36"	72	96	96	384	63	16,000	10	41.67	N/A	N/A	0	No
EWR03EH-72-120-96	206	198	120	36"	72	120	96	480	72	20,000	15	41.67	N/A	N/A	0	No

**NOTE: Sizes are approximate. LEWCO, Inc. reserves the right to change specifications without notice.**

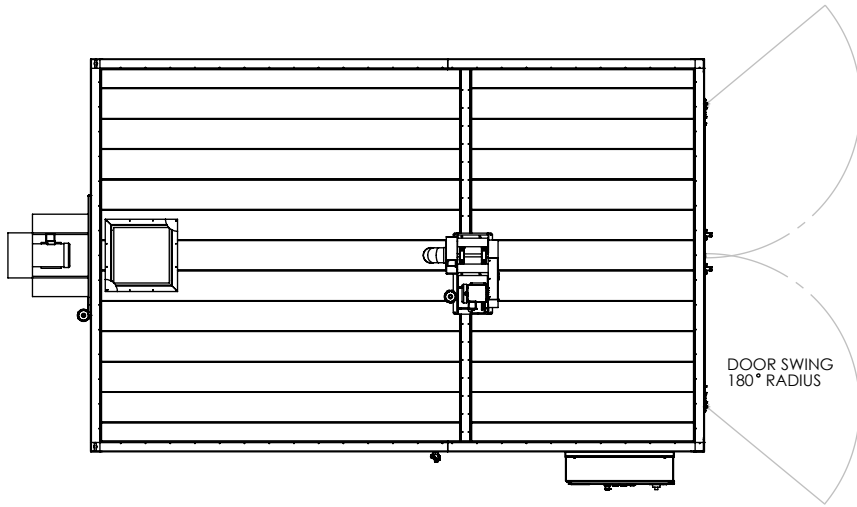


# Industrial Batch Ovens

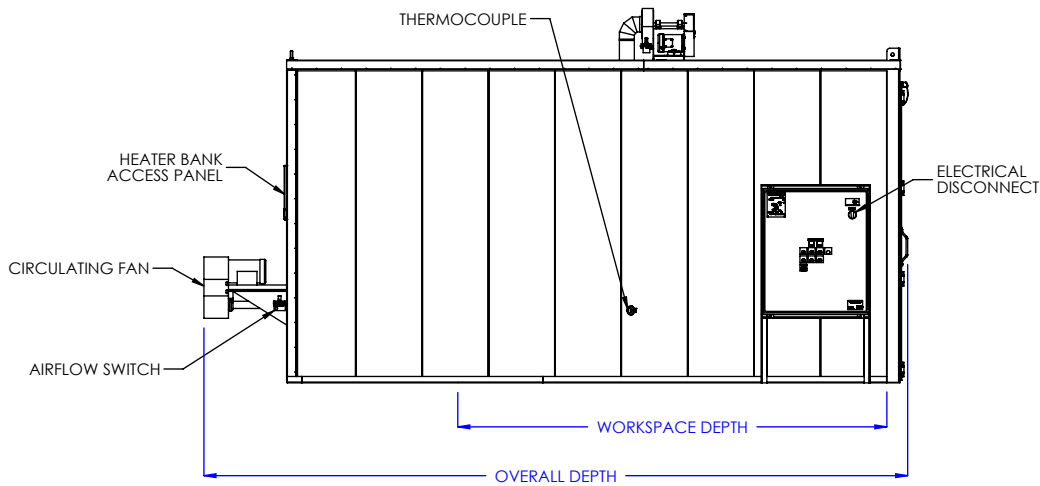
Model: EWR03EH

Model (NFPA Class A)	Overall Dimensions			Door Swing Radius	Workspace Dimensions			Workspace Volume (cubic ft.)	Heater Bank (kW)	Circulating Fan(s) (CFM)	Motor(s) (HP)	Air Changes per Minute	Exhaust Fan Capacity (CFM)	Exhaust Motor (HP)	Solvents per Batch (Gals.)	Ships Fully Assembled
	"W	"D	"H		"W	"D	"H									
EWR03EH-48-48-60	118	106	123	24"	48	48	60	80	36	3,500	3	43.75	62	1/4	0.06	Yes
EWR03EH-48-48-72	122	106	135	24"	48	48	72	96	45	4,000	3	41.67	62	1/4	0.06	Yes
EWR03EH-48-48-96	128	106	159	24"	48	48	96	128	45	5,500	3	42.97	62	1/4	0.06	No
EWR03EH-48-72-72	130	134	135	24"	48	72	72	144	45	6,000	3	41.67	62	1/4	0.06	Yes
EWR03EH-48-72-96	136	140	159	24"	48	72	96	192	54	8,000	5	41.67	62	1/4	0.06	No
EWR03EH-48-96-72	136	164	135	24"	48	96	72	192	54	8,000	5	41.67	62	1/4	0.06	Yes
EWR03EH-48-96-96	148	168	159	24"	48	96	96	256	54	12,000	7 1/2	46.88	62	1/4	0.06	No
EWR03EH-60-60-60	140	118	123	30"	60	60	60	125	45	5,000	3	40.00	62	1/4	0.06	Yes
EWR03EH-60-60-72	142	122	135	30"	60	60	72	150	45	6,000	3	40.00	62	1/4	0.06	Yes
EWR03EH-60-60-96	148	128	159	30"	60	60	96	200	54	8,000	5	40.00	62	1/4	0.06	No
EWR03EH-60-72-72	148	134	135	30"	60	72	72	180	54	8,000	5	44.44	62	1/4	0.06	Yes
EWR03EH-60-72-96	154	144	159	30"	60	72	96	240	54	10,000	7 1/2	41.67	62	1/4	0.06	No
EWR03EH-60-96-96	164	174	159	30"	60	96	96	320	63	14,000	10	43.75	100	1/4	0.10	No
EWR03EH-72-72-72	160	140	135	36"	72	72	72	216	54	9,000	7 1/2	41.67	62	1/4	0.06	Yes
EWR03EH-72-72-96	172	150	159	36"	72	72	96	288	63	12,000	7 1/2	41.67	62	1/4	0.06	No
EWR03EH-72-96-96	194	174	159	36"	72	96	96	384	72	16,000	10	41.67	100	1/4	0.10	No
EWR03EH-72-120-96	206	198	159	36"	72	120	96	480	72	20,000	15	41.67	100	1/4	0.10	No

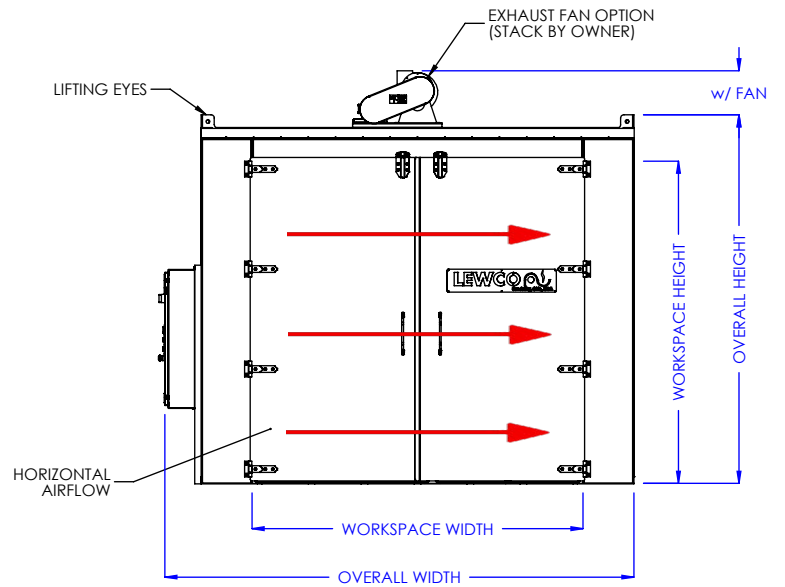
**NOTE: Sizes are approximate. LEWCO, Inc. reserves the right to change specifications without notice.**



PLAN VIEW



LEFT SIDE ELEVATION



FRONT ELEVATION

MODEL: EWR03EH

DESCRIPTION: ENHANCED DUTY WALK-IN OVEN, REAR MOUNT HEATER,  
350° F, ELECTRIC, HORIZONTAL AIRFLOW

**WARNING:** OVENS PROCESSING FLAMMABLE  
VOLATILES OR COMBUSTIBLE MATERIALS ARE  
CLASSIFIED BY NFPA 86 AS "CLASS A" OVENS  
AND REQUIRE SPECIFIC SAFETY FEATURES.  
KNOW THE PROPERTIES OF THE MATERIALS  
BEING HEATED. EXPLOSION OR FIRE MAY  
RESULT FROM MISAPPLICATION.

LEWCO, INC. IS COMMITTED TO CONTINUOUS  
IMPROVEMENT AND RESERVES THE RIGHT TO CHANGE  
DESIGNS AND SPECIFICATIONS WITHOUT NOTICE.

THIS DRAWING MUST NOT BE COPIED, REPRODUCED  
OR USED FOR ANY PURPOSE WITHOUT THE WRITTEN  
CONSENT OF LEWCO, INC. ALL RIGHTS RESERVED.

DATE: 10/9/2017

REV. 001

PAGE: 1 of 1

**LEWCO**

706 LANE ST. SANDUSKY, OH 44870, U.S.A.