



Model: EWR06ED

Enhanced Duty Walk-In Oven

LEWCO Enhanced-Duty Batch Ovens are designed for critical applications, such as those in the advanced materials and aerospace industries. These models offer all of the same construction features as the Normal-Duty ovens; however the performance is "enhanced" by adding additional heat capacity and larger circulation fans. Enhanced-Duty ovens also guarantee a temperature uniformity of at least +/- 10°F. The EWR Series features a rear mounted heater box, which is ideal for installations with height restrictions. Each unit is fully assembled, wired, and tested prior to shipment. All LEWCO ovens are manufactured to meet the requirements of NFPA 86.

Operating Temperature

- 200°F - 650°F (93°C -343°C)

Heating Source & Capacity

- Electric, low watt density Incoloy® heaters provide years of trouble free service.
- Standard heater bank assemblies are installed in high velocity ductwork to maximize heat transfer.

Airflow Pattern

- Dual Airflow: Hot air is supplied from both of the side walls and returned through a top plenum.

General Construction

- 16 ga. aluminized steel interior
- 18 ga. cold rolled steel exterior
- Heat loss is minimized by a unique wall design featuring a welded inner shell and a completely isolated outer frame and covers.

Finish

- Blue or gray alkyd enamel
- Optional: Premium finish for corrosive environments

Doors

- Heavy-duty doors on an isolated door frame minimize heat loss. Wire core gaskets create a tight seal for efficient heating.
- Explosion venting latches
- Standard: Bi-parting swing doors
- Optional:
 - Vertical lift guillotine door
 - Door windows

Floor

- Standard: 12 ga. plate floor
- Optional:
 - 12 ga. plate floor with (1) pair inverted angle track
 - 12 ga. plate floor with (1) pair 6" wide wheel guides
 - Insulated (100 p.s.f. max.)
 - Insulated with (1) pair inverted angle track
 - Insulated with (1) pair 6" wide wheel guides
 - No floor

Input Voltage

- Standard 480/3/60
- Please consult factory for other available options.

Controls

- Single set-point temperature controller and redundant high-limit controller
- NEMA 12 enclosure with full voltage lockable disconnect switch
- Circulation fan(s) include air proving circuits that are electrically interlocked with the heating circuit.
- Controls are wired to NFPA 70 and 79 electrical standards, and meet the requirements of NFPA 86, Class B ovens.
- Optional:
 - Door Switch
 - Batch Timer
 - Ramp/ Soak controller
 - Data logger/ chart recorder
 - Zero speed switch for fans
 - Composite curing controls

Quality Assurance

- Each unit comes complete with a (1) year warranty and is fully assembled, wired, and tested prior to shipment.
- Unit manufactured under ISO 9001 Quality Certified System.

Model (NFPA Class B)	Overall Dimensions			Door Swing Radius	Workspace Dimensions			Workspace Volume (cubic ft.)	Heater Bank (kW)	Circulating Fan(s) (CFM)	Motor(s) (HP)	Air Changes per Minute	Exhaust Fan Capacity (CFM)	Exhaust Motor (HP)	Solvents per Batch (Gals.)	Ships Fully Assembled
	"W	"D	"H		"W	"D	"H									
EWR06ED-48-48-60	84	107	73	24"	48	48	60	80	45	3,500	3	43.75	N/A	N/A	0	Yes
EWR06ED-48-48-72	83	106	84	24"	48	48	72	96	54	4,000	3	41.67	N/A	N/A	0	Yes
EWR06ED-48-48-96	85	110	108	24"	48	48	96	128	63	5,500	3	42.97	N/A	N/A	0	Yes
EWR06ED-48-72-72	85	140	84	24"	48	72	72	144	63	6,000	3	41.67	N/A	N/A	0	Yes
EWR06ED-48-72-96	89	144	108	24"	48	72	96	192	72	8,000	5	41.67	N/A	N/A	0	Yes
EWR06ED-48-96-72	89	168	84	24"	48	96	72	192	72	8,000	5	41.67	N/A	N/A	0	Yes
EWR06ED-48-96-96	93	174	108	24"	48	96	96	256	81	12,000	7 1/2	46.88	N/A	N/A	0	Yes
EWR06ED-60-60-60	97	122	72	30"	60	60	60	125	54	5,000	3	40.00	N/A	N/A	0	Yes
EWR06ED-60-60-72	97	128	84	30"	60	60	72	150	63	6,000	3	40.00	N/A	N/A	0	Yes
EWR06ED-60-60-96	101	132	108	30"	60	60	96	200	72	8,000	5	40.00	N/A	N/A	0	Yes
EWR06ED-60-72-72	99	144	84	30"	60	72	72	180	63	8,000	5	44.44	N/A	N/A	0	Yes
EWR06ED-60-72-96	103	150	108	30"	60	72	96	240	81	10,000	7 1/2	41.67	N/A	N/A	0	Yes
EWR06ED-60-96-96	109	174	108	30"	60	96	96	320	90	14,000	10	43.75	N/A	N/A	0	Yes
EWR06ED-72-72-72	113	150	84	36"	72	72	72	216	72	9,000	7 1/2	41.67	N/A	N/A	0	Yes
EWR06ED-72-72-96	121	150	108	36"	72	72	96	288	81	12,000	7 1/2	41.67	N/A	N/A	0	Yes
EWR06ED-72-96-96	125	181	108	36"	72	96	96	384	99	16,000	10	41.67	N/A	N/A	0	Yes
EWR06ED-72-120-96	129	210	108	36"	72	120	96	480	108	20,000	15	41.67	N/A	N/A	0	Yes
EWR06ED-84-84-84	137	162	96	42"	84	84	84	343	90	14,000	10	40.82	N/A	N/A	0	Yes
EWR06ED-84-96-84	137	181	96	42"	84	96	84	392	99	16,000	10	40.82	N/A	N/A	0	Yes
EWR06ED-84-120-84	147	210	96	42"	84	120	84	490	108	20,000	15	40.82	N/A	N/A	0	Yes
EWR06ED-84-120-96	147	210	108	42"	84	120	96	560	117	24,000	15	42.86	N/A	N/A	0	Yes
EWR06ED-96-96-96	159	186	108	48"	96	96	96	512	117	22,000	15	42.97	N/A	N/A	0	Yes
EWR06ED-96-120-96	161	219	108	48"	96	120	96	640	144	26,000	15	40.63	N/A	N/A	0	Yes
EWR06ED-96-144-96	169	248	108	48"	96	144	96	768	162	16,000(x2)	10(x2)	41.67	N/A	N/A	0	Yes
EWR06ED-96-168-96	173	242	108	48"	96	168	96	896	180	18,000(x2)	15(x2)	40.17	N/A	N/A	0	Yes
EWR06ED-120-120-96	193	224	108	60"	120	120	96	800	162	16,000(x2)	10(x2)	40.00	N/A	N/A	0	Yes
EWR06ED-120-120-120	203	194	132	60"	120	120	120	1,000	180	20,000(x2)	15(x2)	40.00	N/A	N/A	0	Yes
EWR06ED-120-144-96	197	218	108	60"	120	144	96	960	180	20,000(x2)	15(x2)	41.67	N/A	N/A	0	Yes
EWR06ED-120-144-120	207	224	132	60"	120	144	120	1,200	207	24,000(x2)	15(x2)	40.00	N/A	N/A	0	Yes
EWR06ED-120-168-96	203	248	108	60"	120	168	96	1,120	198	24,000(x2)	15(x2)	42.85	N/A	N/A	0	Yes

NOTE: Sizes are approximate. LEWCO, Inc. reserves the right to change specifications without notice.

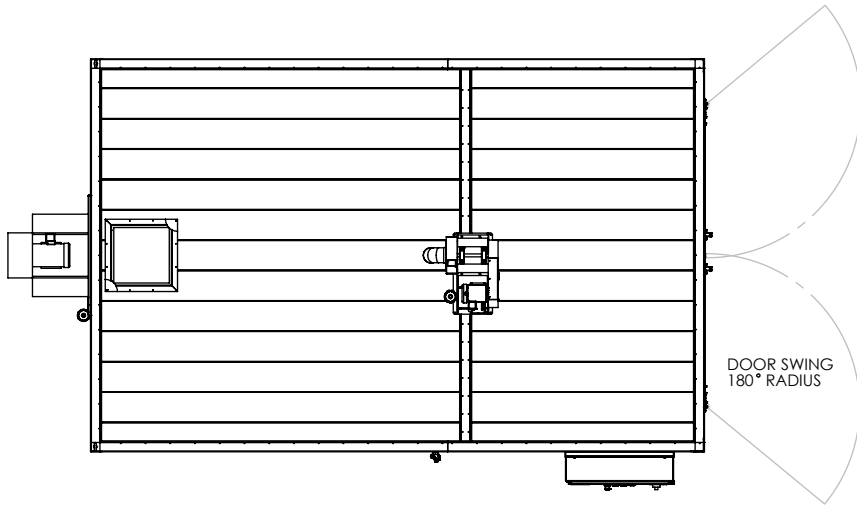


Industrial Batch Ovens

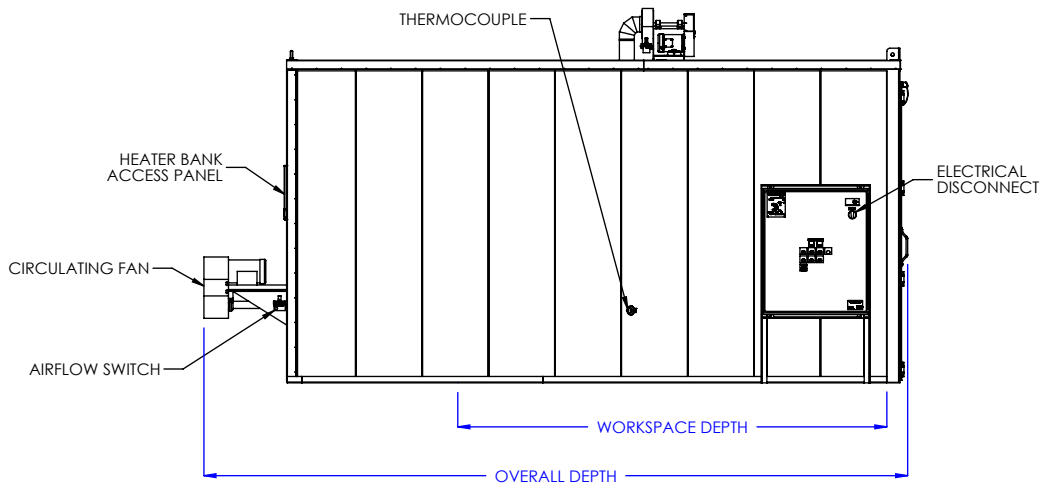
Model: EWR06ED

Model (NFPA Class A)	Overall Dimensions			Door Swing Radius	Workspace Dimensions			Workspace Volume (cubic ft.)	Heater Bank (kW)	Circulating Fan(s) (CFM)	Motor(s) (HP)	Air Changes per Minute	Exhaust Fan Capacity (CFM)	Exhaust Motor (HP)	Solvents per Batch (Gals.)	Ships Fully Assembled
	"W	"D	"H		"W	"D	"H									
EWR06ED-48-48-60	84	107	151	24"	48	48	60	80	54	3,500	3	43.75	62	1/4	0.04	Yes
EWR06ED-48-48-72	83	106	162	24"	48	48	72	96	63	4,000	3	41.67	62	1/4	0.04	Yes
EWR06ED-48-48-96	85	110	186	24"	48	48	96	128	72	5,500	3	42.97	62	1/4	0.04	No
EWR06ED-48-72-72	85	140	162	24"	48	72	72	144	72	6,000	3	41.67	62	1/4	0.04	Yes
EWR06ED-48-72-96	89	144	186	24"	48	72	96	192	81	8,000	5	41.67	62	1/4	0.04	No
EWR06ED-48-96-72	89	168	162	24"	48	96	72	192	81	8,000	5	41.67	62	1/4	0.04	Yes
EWR06ED-48-96-96	93	174	186	24"	48	96	96	256	90	12,000	7 1/2	46.88	62	1/4	0.04	No
EWR06ED-60-60-60	97	122	150	30"	60	60	60	125	63	5,000	3	40.00	62	1/4	0.04	Yes
EWR06ED-60-60-72	97	128	162	30"	60	60	72	150	72	6,000	3	40.00	62	1/4	0.04	Yes
EWR06ED-60-60-96	101	132	186	30"	60	60	96	200	81	8,000	5	40.00	62	1/4	0.04	No
EWR06ED-60-72-72	99	144	162	30"	60	72	72	180	72	8,000	5	44.44	62	1/4	0.04	Yes
EWR06ED-60-72-96	103	150	186	30"	60	72	96	240	90	10,000	7 1/2	41.67	62	1/4	0.04	No
EWR06ED-60-96-96	109	174	186	30"	60	96	96	320	117	14,000	10	43.75	100	1/4	0.07	No
EWR06ED-72-72-72	113	150	162	36"	72	72	72	216	62	9,000	7 1/2	41.67	62	1/4	0.04	Yes
EWR06ED-72-72-96	121	150	186	36"	72	72	96	288	90	12,000	7 1/2	41.67	62	1/4	0.04	No
EWR06ED-72-96-96	125	181	186	36"	72	96	96	384	117	16,000	10	41.67	100	1/4	0.07	No
EWR06ED-72-120-96	129	210	186	36"	72	120	96	480	153	20,000	15	41.67	100	1/4	0.07	No
EWR06ED-84-84-84	137	162	174	42"	84	84	84	343	117	14,000	10	40.82	100	1/4	0.07	No
EWR06ED-84-96-84	137	181	174	42"	84	96	84	392	117	16,000	10	40.82	100	1/4	0.07	No
EWR06ED-84-120-84	147	210	174	42"	84	120	84	490	180	20,000	15	40.82	250	1/4	0.18	No
EWR06ED-84-120-96	147	210	186	42"	84	120	96	560	180	24,000	15	42.86	250	1/4	0.18	No
EWR06ED-96-96-96	159	186	186	48"	96	96	96	512	180	22,000	15	42.97	250	1/4	0.18	No
EWR06ED-96-120-96	161	219	186	48"	96	120	96	640	189	26,000	15	40.63	250	1/4	0.18	No
EWR06ED-96-144-96	169	248	186	48"	96	144	96	768	207	16,000(x2)	10(x2)	52.08	250	1/4	0.18	No
EWR06ED-96-168-96	173	242	186	48"	96	168	96	896	225	18,000(x2)	15(x2)	44.64	250	1/4	0.18	No
EWR06ED-120-120-96	193	224	186	60"	120	120	96	800	207	16,000(x2)	10(x2)	50.00	250	1/4	0.18	No
EWR06ED-120-120-120	203	194	210	60"	120	120	120	1,000	234	20,000(x2)	15(x2)	40.00	250	1/4	0.18	No
EWR06ED-120-144-96	197	218	186	60"	120	144	96	960	225	20,000(x2)	15(x2)	41.67	250	1/4	0.18	No
EWR06ED-120-144-120	207	224	210	60"	120	144	120	1,200	261	24,000(x2)	15(x2)	41.67	250	1/4	0.18	No
EWR06ED-120-168-96	203	248	186	60"	120	168	96	1,120	261	24,000(x2)	15(x2)	44.64	250	1/4	0.18	No

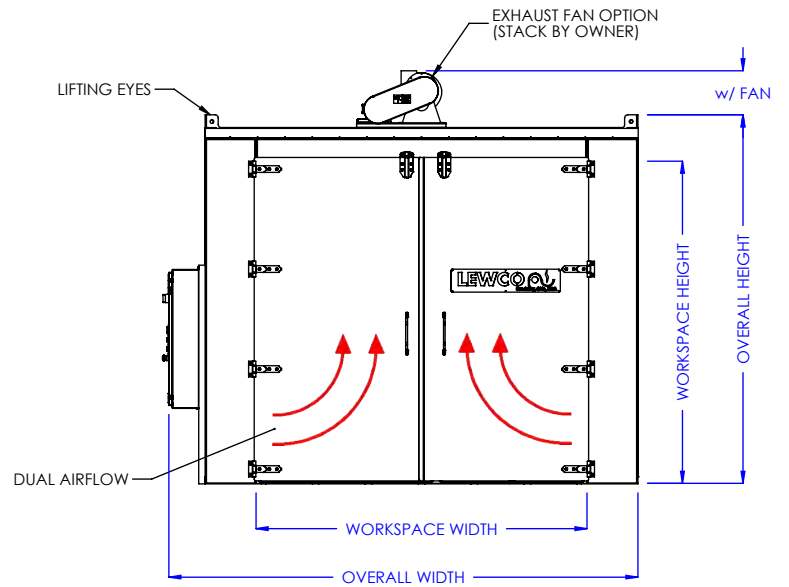
NOTE: Sizes are approximate. LEWCO, Inc. reserves the right to change specifications without notice.



PLAN VIEW



LEFT SIDE ELEVATION



FRONT ELEVATION

MODEL: EWR06ED

DESCRIPTION: ENHANCED DUTY WALK-IN OVEN, REAR MOUNT HEATER, 650° F, ELECTRIC, DUAL AIRFLOW

WARNING: OVENS PROCESSING FLAMMABLE VOLATILES OR COMBUSTIBLE MATERIALS ARE CLASSIFIED BY NFPA 86 AS "CLASS A" OVENS AND REQUIRE SPECIFIC SAFETY FEATURES. KNOW THE PROPERTIES OF THE MATERIALS BEING HEATED. EXPLOSION OR FIRE MAY RESULT FROM MISAPPLICATION.

LEWCO, INC. IS COMMITTED TO CONTINUOUS IMPROVEMENT AND RESERVES THE RIGHT TO CHANGE DESIGNS AND SPECIFICATIONS WITHOUT NOTICE.

THIS DRAWING MUST NOT BE COPIED, REPRODUCED OR USED FOR ANY PURPOSE WITHOUT THE WRITTEN CONSENT OF LEWCO, INC. ALL RIGHTS RESERVED.

DATE: 10/9/2017

REV. 001

PAGE: 1 of 1

LEWCO

706 LANE ST. SANDUSKY, OH 44870, U.S.A.