



Model: SWR05ED

### Normal Duty Walk-In Oven

LEWCO’s Normal-Duty Batch Ovens are designed for a variety of industrial heating applications, such as pre-heating, drying, curing and baking. These models offer quality and performance at economical prices. Heavy-duty construction and industry standard components yield durable and reliable equipment. The SWR series features a rear mounted heater box, which is ideal for installations with height restrictions. Each unit comes complete with a one year warranty and is fully assembled, wired, and tested prior to shipment. All LEWCO ovens are manufactured to meet the requirements of NFPA 86.

#### Temperature

- Rated for up to 500°F (260°C)

#### Heating Medium

- Electric, low watt density Incoloy® heaters provide years of trouble free service.
- Standard heater bank assemblies are installed in high velocity ductwork to maximize heat transfer.

#### Airflow Pattern

- Dual Airflow: Hot air is supplied from both of the side walls and returned through a top plenum

#### General Construction

- 16 ga. aluminized steel interior
- 18 ga. cold rolled steel exterior
- Heat loss is minimized by a unique wall design featuring a welded inner shell and a completely isolated outer frame and covers.

#### Doors

- Heavy-duty, bi-parting swing doors on an isolated door frame minimize heat loss. Wire core gaskets create a tight seal for efficient heating.
- Explosion venting latches

#### Floor

- 12 ga. plate floor

#### Input Voltage

- 480/3/60

#### Controls

- Single set-point process temperature controller and redundant high-limit controllers housed in a NEMA 12 enclosure with full voltage lockable disconnect.

#### Finish

- Blue alkyd enamel

#### Quality Assurance

- Each unit comes complete with a (1) year warranty and is fully assembled, wired, and tested prior to shipment.



# Industrial Batch Ovens

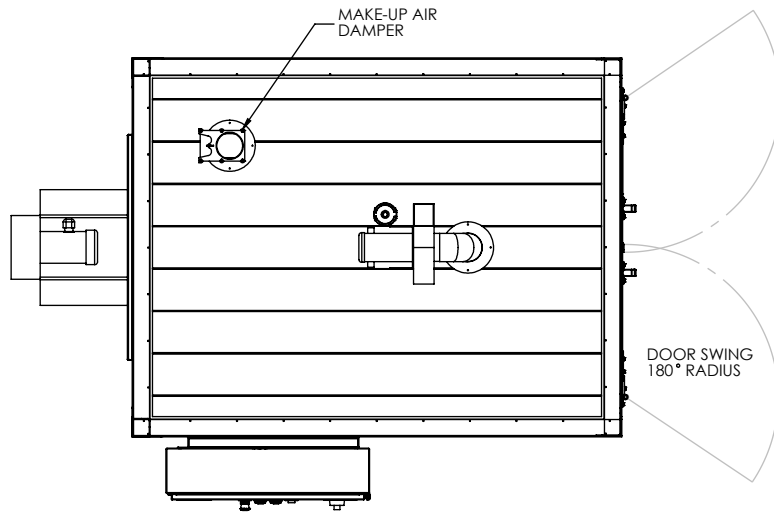
Model: SWR05ED

Sizes below only reflect those available in LEWCO's Quick Ship program. See LEWCO website for complete list of available models.

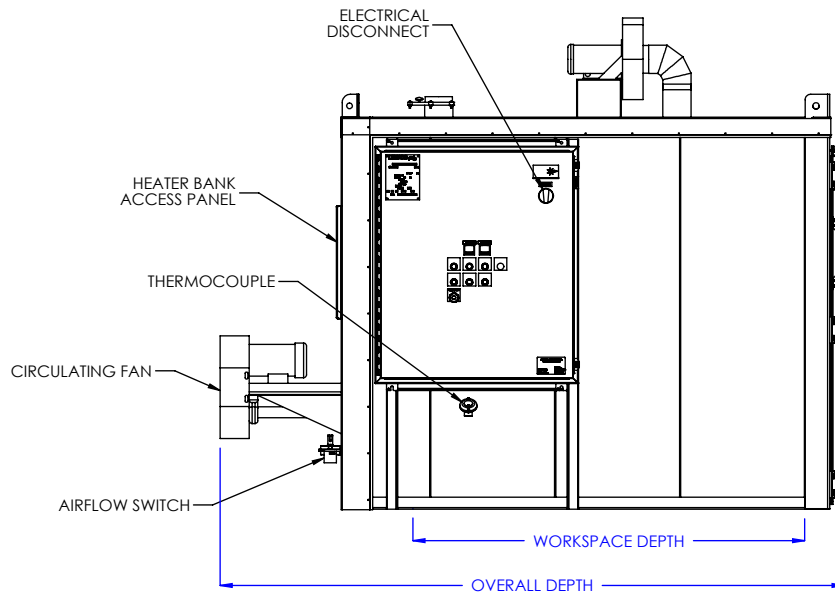
Model (NFPA Class B)	Overall Dimensions			Door Swing Radius	Workspace Dimensions			Workspace Volume (cubic ft.)	Heater Bank (kW)	Circulating Fan (CFM)	Motor (HP)	Air Changes per Minute	Exhaust Fan Capacity (CFM)	Exhaust Motor (HP)	Solvents per Batch (Gals.)	Ships Fully Assembled
	"W	"D	"H		"W	"D	"H									
SWR05ED-48-48-60	80	111	73	27"	48	48	60	80	36	1,000	1	12.50	N/A	N/A	0	Yes
SWR05ED-48-48-72	80	111	85	27"	48	48	72	96	36	1,400	1	14.58	N/A	N/A	0	Yes
SWR05ED-60-60-60	92	122	73	33"	60	60	60	125	36	1,400	1	11.20	N/A	N/A	0	Yes
SWR05ED-60-60-72	92	122	85	33"	60	60	72	150	45	1,700	1	11.33	N/A	N/A	0	Yes
SWR05ED-72-72-72	104	135	85	39"	72	72	72	216	54	2,500	2	11.57	N/A	N/A	0	Yes

Model (NFPA Class A)	Overall Dimensions			Door Swing Radius	Workspace Dimensions			Workspace Volume (cubic ft.)	Heater Bank (kW)	Circulating Fan (CFM)	Motor (HP)	Air Changes per Minute	Exhaust Fan Capacity (CFM)	Exhaust Motor (HP)	Solvents per Batch (Gals.)	Ships Fully Assembled
	"W	"D	"H		"W	"D	"H									
SWR05ED-48-48-60	80	111	87	27"	48	48	60	80	45	1,000	1	12.50	62	1/2	0.05	Yes
SWR05ED-48-48-72	80	111	99	27"	48	48	72	96	45	1,400	1	14.58	62	1/2	0.05	Yes
SWR05ED-60-60-60	92	122	87	33"	60	60	60	125	45	1,400	1	11.20	62	1/2	0.05	Yes
SWR05ED-60-60-72	92	122	99	33"	60	60	72	150	54	1,700	1	11.33	62	1/2	0.05	Yes
SWR05ED-72-72-72	104	135	99	39"	72	72	72	216	63	2,500	2	11.57	62	1/2	0.05	Yes

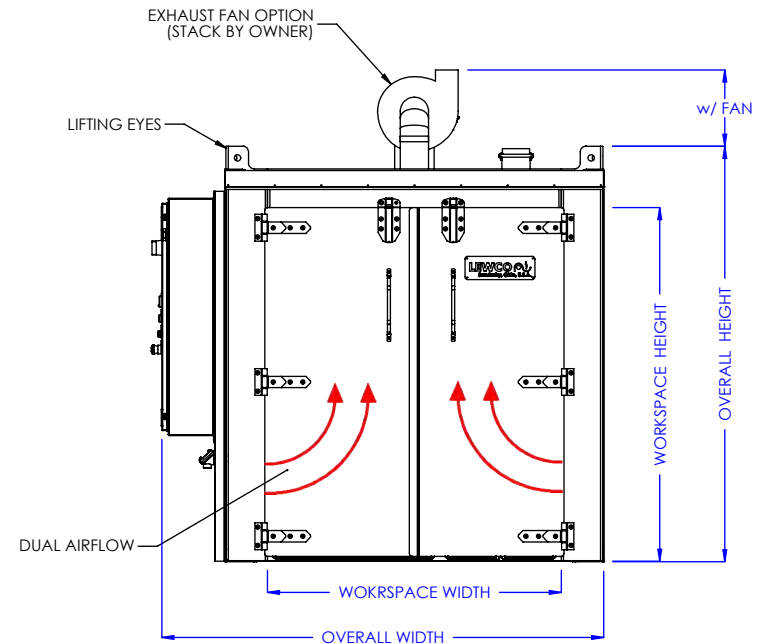
**NOTE: Sizes are approximate. LEWCO, Inc. reserves the right to change specifications without notice.**



**PLAN VIEW**



**LEFT SIDE ELEVATION**



**FRONT ELEVATION**

**MODEL:** SWR05ED

**DESCRIPTION:** NORMAL DUTY WALK-IN OVEN, REAR MOUNT HEATER, 500°F, ELECTRIC, DUAL AIRFLOW

**WARNING:** OVENS PROCESSING FLAMMABLE VOLATILES OR COMBUSTIBLE MATERIALS ARE CLASSIFIED BY NFPA 86 AS "CLASS A" OVENS AND REQUIRE SPECIFIC SAFETY FEATURES. KNOW THE PROPERTIES OF THE MATERIALS BEING HEATED. EXPLOSION OR FIRE MAY RESULT FROM MISAPPLICATION.

LEWCO, INC. IS COMMITTED TO CONTINUOUS IMPROVEMENT AND RESERVES THE RIGHT TO CHANGE DESIGNS AND SPECIFICATIONS WITHOUT NOTICE.

THIS DRAWING MUST NOT BE COPIED, REPRODUCED OR USED FOR ANY PURPOSE WITHOUT THE WRITTEN CONSENT OF LEWCO, INC. ALL RIGHTS RESERVED.

DATE: 10/10/2017

REV. 001

PAGE: 1 of 1



706 LANE ST. SANDUSKY, OH 44870, U.S.A.