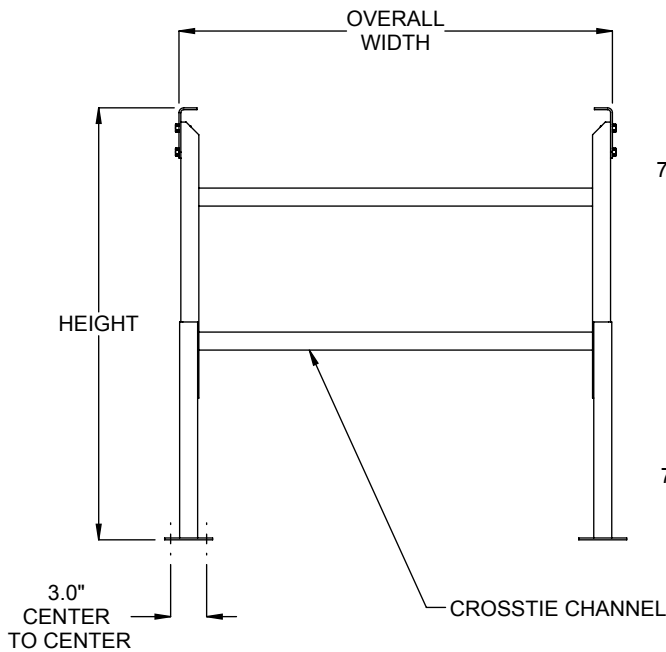
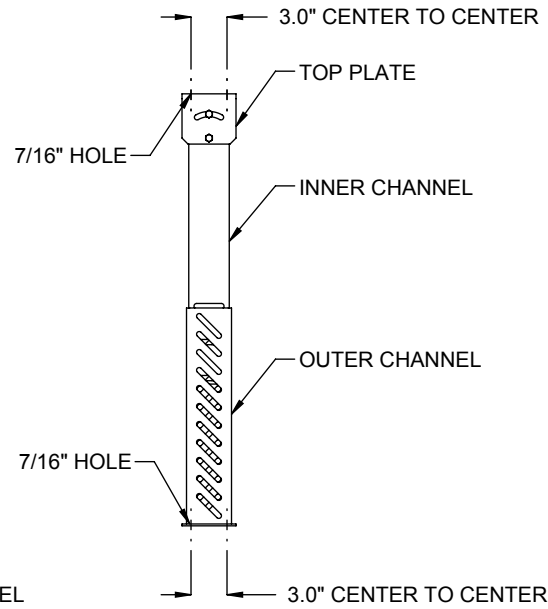


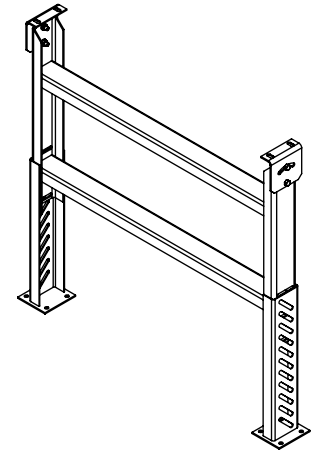
**LOAD CAPACITY: 3000 LB. MAXIMUM LOAD PER SUPPORT  
NOT TO EXCEED LOAD CAPACITY OF CASTERS**



**FRONT VIEW**



**SIDE VIEW**



**SPHC: HEIGHT RANGE**

MODEL	MIN.	MAX.	MODEL	MIN.	MAX.	MODEL	MIN.	MAX.
SPHC14	12.75"	14.25"	SPHC22	16.75"	22.75"	SPHC33	22.75"	33.75"
SPHC16	13.75"	16.75"	SPHC26	20.75"	26.75"	SPHC36	24.75"	36.75"
SPHC18	14.75"	18.75"						

**SPECIFICATIONS**

**OVERALL WIDTH:** 15" - 78"

**CONSTRUCTION:** Formed steel inner, 8ga and outer channels, 12ga; Welded channel crosstie, 12ga; Base plate, 8ga.

**TOP PLATE:** Standard 8ga pivot top plate is available where adjustable pitch is required.

**FINISH:** Standard finish is OSHA safety blue powder. Optional colors include green, beige, gray, orange, black and yellow.

**Model:** SPHC - Support, Heavy Duty, Caster Mount

REV	
0	