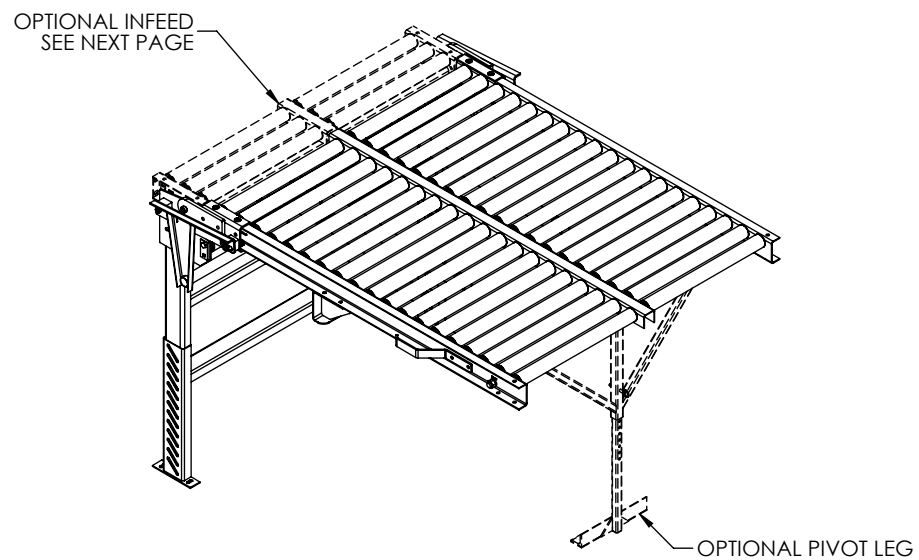
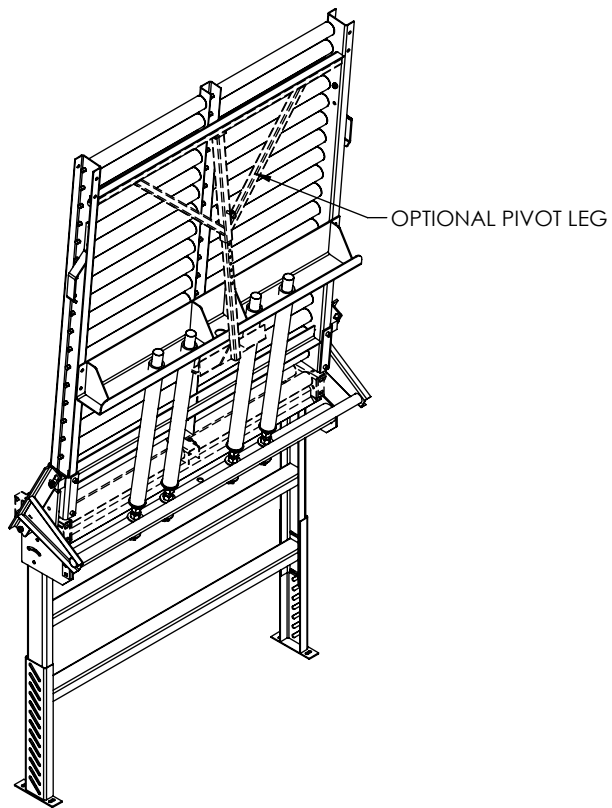


NOTE:
 PART NUMBER, STANDARD: _____ HS196D-(BF)-(RC)-(GATE SIZE)
 PART NUMBER, WITH INFEED OPTION: _____ HS196D-(BF)-(RC)-(GATE SIZE)-(INFEED LENGTH)
 PART NUMBER, WITH SUPPORT OPTION: _____ HS196D-(BF)-(RC)-(GATE SIZE)-SUPP-(TOP OF ROLLER)
 PART NUMBER, WITH BOTH OPTIONS: _____ HS196D-(BF)-(RC)-(GATE SIZE)-(INFEED LENGTH)-SUPP-(HEIGHT)

ALL PRODUCT, PRODUCT SPECIFICATIONS AND DATA ARE SUBJECT TO CHANGE WITHOUT NOTICE TO IMPROVE RELIABILITY, FUNCTION OR DESIGN OR OTHERWISE.

SPECIFICATIONS				
BETWEEN FRAMES:	45"	48"	49"	51"
CONVEYOR WIDTH:	48"	51"	52"	54"
GATE SIZE: 26" - 60"				
ROLLERS: 1.9" diameter roller with 16 ga wall tube. 7/16" hex cold rolled steel axles, spring retained. Bearings are semi-precision with light oiled lubrication.				
ROLLER CENTERS: 3.00"				
FRAMES: Set high 3-1/2" x 1-1/2" x 10 ga formed steel channel. <u>Optional</u> infeed section and supports are shown. <u>Optional</u> infeed max length is 9".				
ROLLER SURFACE: Galvanized tube.				
COUPLINGS: Bolt on butt couplers for 3.5" frame on infeed section.				
FRAME FINISH: Repose Gray, Laser Blue, FedEx Blue, Rapistan Green				

Model: HS196D - Spring Assisted Hinge Gate, Dual Lane, Parcel



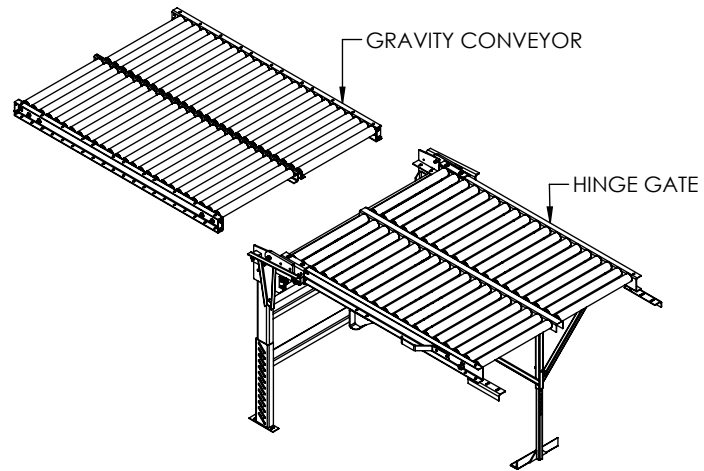
ALL PRODUCT, PRODUCT SPECIFICATIONS AND DATA ARE SUBJECT TO CHANGE WITHOUT NOTICE TO IMPROVE RELIABILITY, FUNCTION OR DESIGN OR OTHERWISE.

Model: HS196D - Spring Assisted Hinge Gate, Dual Lane, Parcel

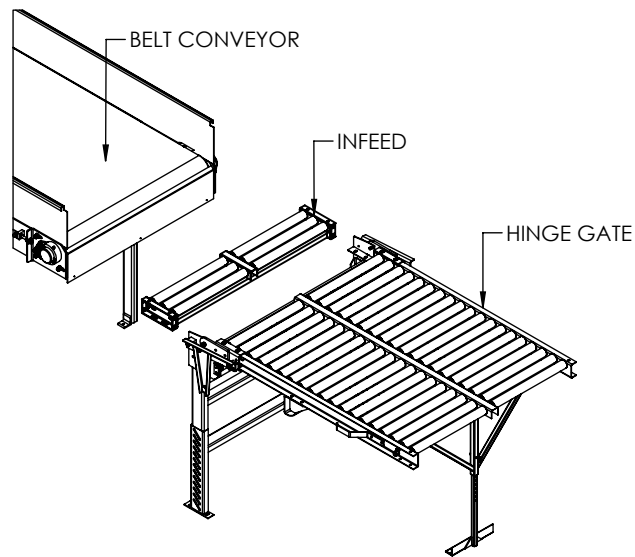
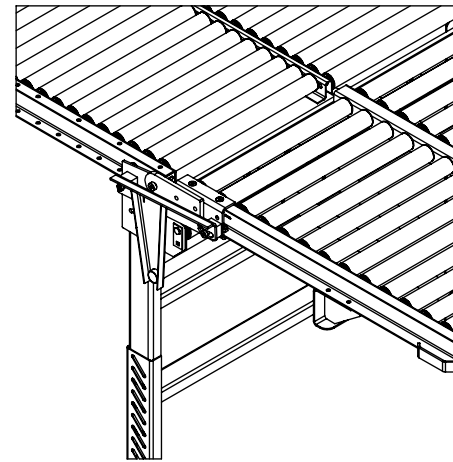
REV

2

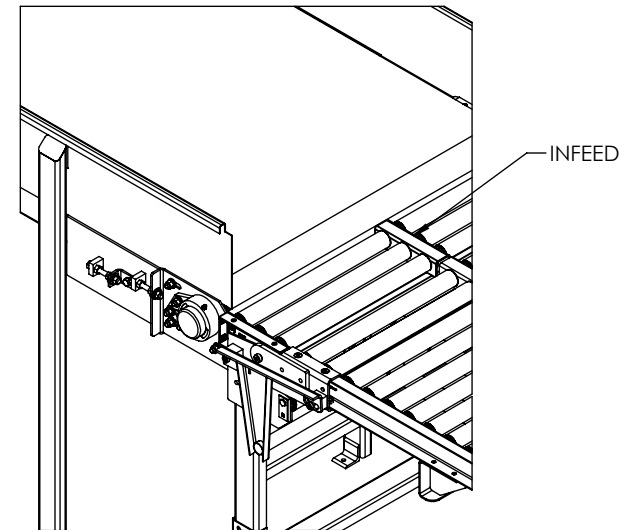




WHEN USING WITH GRAVITY CONVEYOR, NO INFEEED IS REQUIRED.



WHEN USING WITH BELT CONVEYOR, INFEEED IS REQUIRED.
CUSTOMER IS RESPONSIBLE FOR CONNECTION.
FIELD WELD MAY BE REQUIRED.



ALL PRODUCT, PRODUCT SPECIFICATIONS AND DATA ARE SUBJECT TO CHANGE WITHOUT NOTICE TO IMPROVE RELIABILITY, FUNCTION OR DESIGN OR OTHERWISE.

Model: HS196D - Spring Assisted Hinge Gate, Dual Lane, Parcel

REV

2

LEWCO