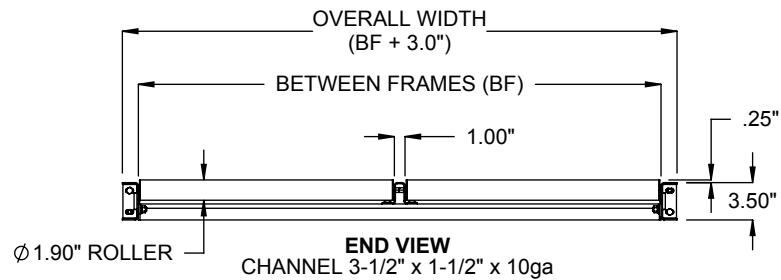
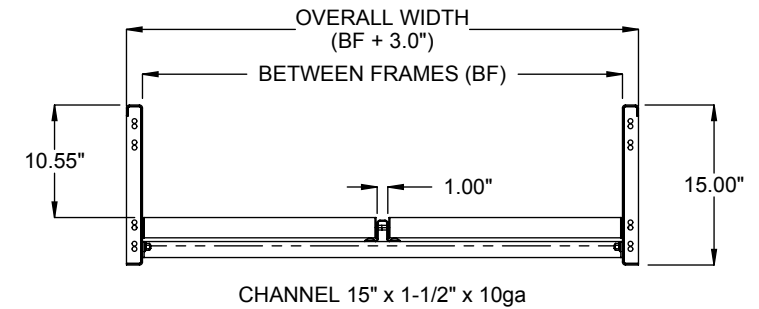


**FRAME OPTIONS:**



**SPECIFICATIONS**

<b>BETWEEN FRAMES:</b>	39"	45"	48"	49"	51"	57"	61.5"
<b>OVERALL WIDTH:</b>	42"	48"	51"	52"	54"	60"	64.5"

**LENGTH:** 11.25" - 144"

**ROLLERS:** 1.9" diameter roller with 16 ga wall tube. 7/16" hex cold rolled steel axles, spring retained. Bearings are semi-precision with light oil lubrication.

**ROLLER CENTERS:** 2.25" nominal.

**FRAMES:** Set high 3-1/2" x 1-1/2" x 10 ga formed steel channel.

**ROLLER SURFACE:** Galvanized tube.

**COUPLINGS:** Bolt on butt couplers for 3.5" frame. Weld on butt couplers for 15" frame.

**FRAME FINISH:** Repose Gray, Laser Blue, FedEx Blue, Rapistan Green