

### SPECIFICATIONS

**EFFECTIVE WIDTH:** 6" - 60"

**BEGINNING ELEVATION:** 8" - 120"

**LENGTH:** 48" - 240"

**ENDING ELEVATION:** 8" - 120"

**SPEED:** 20 - 110 FPM

**ROLLER CENTERS:** 3-1/2", 4", 4-1/2", 6"

**DRIVE:** Standard drive is mounted near the center of the conveyor length on belt guard side. Up to 20 conveyor rollers can be driven from each side of the drive roller. Additional drives are required to extend the conveyor length.

**FRAME:** Standard frame includes 6" channel on chain box side and 4" channel on opposite side with roller set high in frame. Optional frame options include 6" channel on opposite side with roller set low in frame, or structural 6@8.2# & 4@5.4# with rollers set high, or structural 6@8.2# both sides with roller set low.

**MOTOR:** 1/2 HP through 2 HP, Energy efficient and inverter duty motors are also available along with Motorized Drive Rollers (MDR). Voltages include 115/1/60, 208/3/60, 230/3/60, 460/3/60 and 575/3/60 along with DC voltages for MDR drives.

**ROLLERS:** Standard - 2.50" diameter, 11 ga wall tube with 11/16" hex cold rolled steel axles, spring retained. Standard bearings are ABEC precision, grease packed. Rollers include Poly-V sleeves for (8) rib belts.

**ROLLER COVERS:** Optional galvanized roller covers include polyurethane roller sleeves, Ultrex accumulation sleeves.

**SUPPORT CENTERS:** Standard supports are 5" formed channel with jack bolt adjustment floor supports on 5' centers.

**FRAME FINISH:** Standard finish is OSHA safety blue powder. Optional colors include green, beige, gray, orange, black and yellow.

ALL PRODUCT, PRODUCT SPECIFICATIONS AND DATA ARE SUBJECT TO CHANGE WITHOUT NOTICE TO IMPROVE RELIABILITY, FUNCTION OR DESIGN OR OTHERWISE.

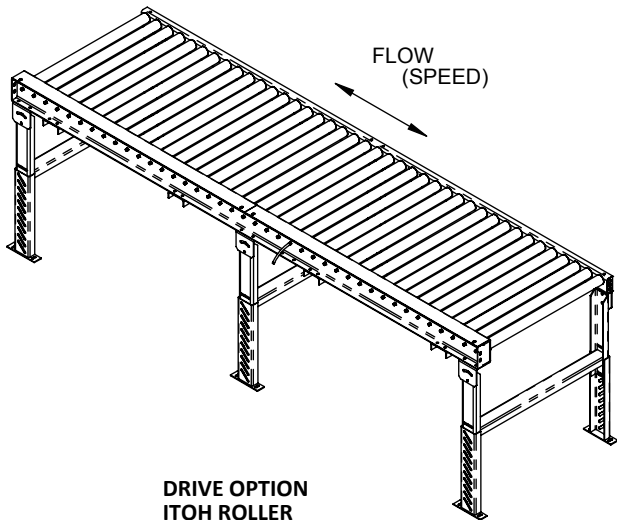
**Model:** PLV25 - Poly-V Driven Roller Conveyor

REV

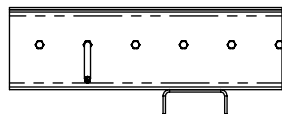
1

**LEWCO**

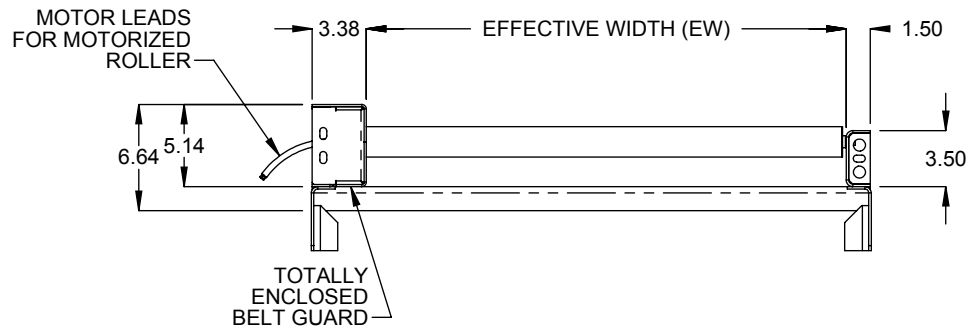
MAXIMUM LOAD PER LINEAR FOOT OF CONVEYOR IS 300 POUNDS - NOT TO EXCEED 2500 POUNDS TOTAL LIVE LOAD. CONSULT FACTORY FOR HEAVIER LOADS.



DRIVE OPTION  
ITOH ROLLER



DRIVE OPTION  
ITOH ROLLER



DRIVE OPTION  
ITOH ROLLER

ALL PRODUCT, PRODUCT SPECIFICATIONS AND DATA ARE SUBJECT TO CHANGE WITHOUT NOTICE TO IMPROVE RELIABILITY, FUNCTION OR DESIGN OR OTHERWISE.