

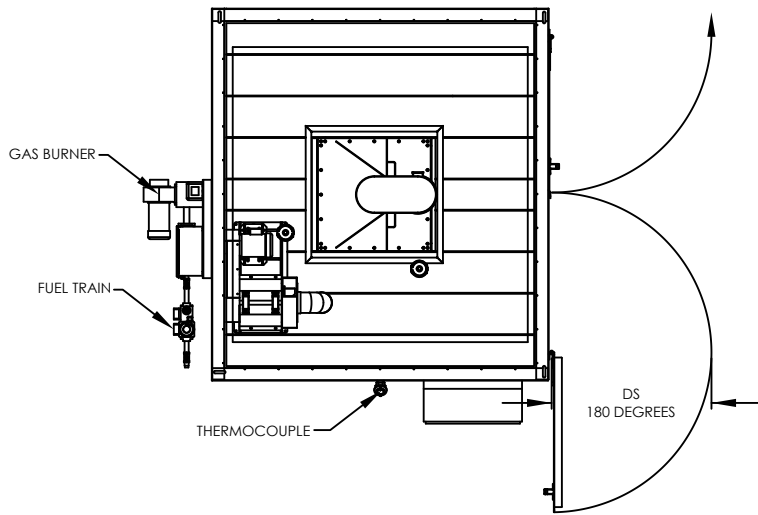


**Standard Walk-In Oven, Top Heater, 500 F, Fuel Fired, Dual Air Flow
NFPA Class B**

Model	Workspace Dimensions			Heat Input	Circulating Blower (CFM)	Exhaust (ACFM)	Ships
	"W	"D	"H				
SWT05FD-48-48-60*	48	- 48	- 60*	200,000 BTUH	1000	100	Fully Assembled
SWT05FD-48-48-72*	48	- 48	- 72*	200,000 BTUH	1400	100	Fully Assembled
SWT05FD-48-48-96*	48	- 48	- 96*	200,000 BTUH	1700	100	Fully Assembled
SWT05FD-60-60-60*	60	- 60	- 60*	200,000 BTUH	1400	100	Fully Assembled
SWT05FD-60-60-72*	60	- 60	- 72*	200,000 BTUH	1700	100	Fully Assembled
SWT05FD-60-60-96*	60	- 60	- 96*	200,000 BTUH	2500	100	Fully Assembled
SWT05FD-72-72-72*	72	- 72	- 72*	200,000 BTUH	2500	100	Fully Assembled
SWT05FD-72-72-96*	72	- 72	- 96*	200,000 BTUH	3500	250	Fully Assembled
SWT05FD-72-120-96	72	- 120	- 96	400,000 BTUH	5500	250	Fully Assembled
SWT05FD-84-84-84	84	- 84	- 84	400,000 BTUH	4000	250	Fully Assembled
SWT05FD-84-96-84	84	- 96	- 84	400,000 BTUH	4500	250	Fully Assembled
SWT05FD-84-120-84	84	- 120	- 84	400,000 BTUH	5500	250	Fully Assembled
SWT05FD-84-120-96	84	- 120	- 96	400,000 BTUH	7000	250	Fully Assembled
SWT05FD-96-96-96	96	- 96	- 96	400,000 BTUH	6000	250	Field Assembly Required
SWT05FD-96-120-96	96	- 120	- 96	700,000 BTUH	8000	250	Field Assembly Required
SWT05FD-96-144-96	96	- 144	- 96	700,000 BTUH	9000	250	Field Assembly Required

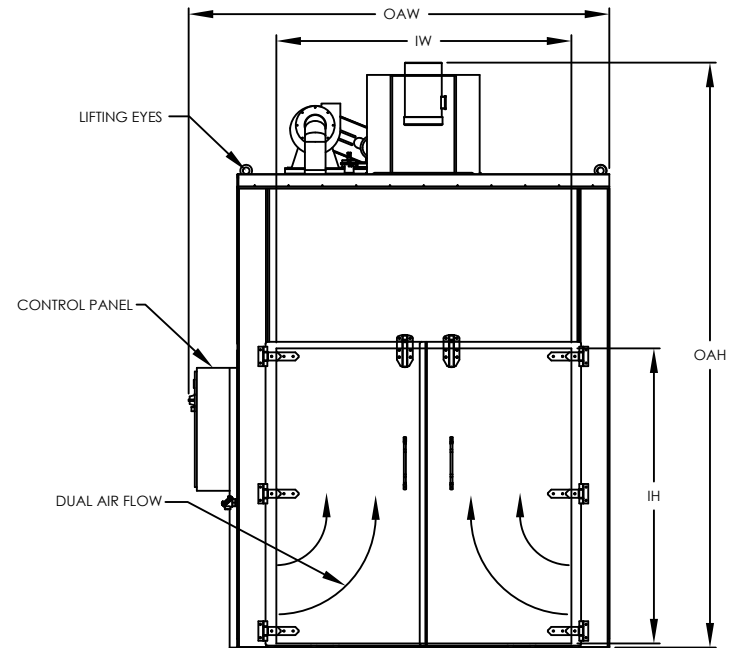
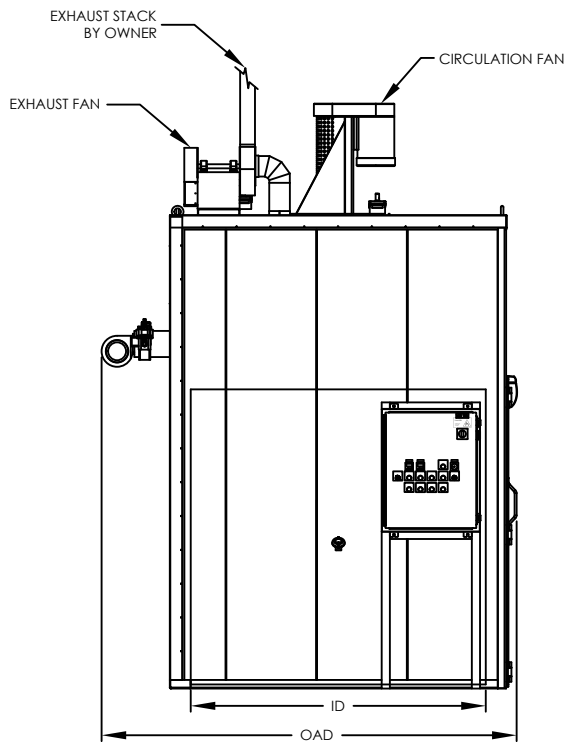
**Standard Walk-In Oven, Top Heater, 500 F, Fuel Fired, Dual Air Flow
NFPA Class A**

Model	Workspace Dimensions			Heat Input	Circulating Blower (CFM)	Exhaust (ACFM)	Max. Solvent (Gals. / Batch)	Ships
	"W	"D	"H					
SWT05FD-48-48-60*	48	- 48	- 60*	200,000 BTUH	1000	100	0.14	Fully Assembled
SWT05FD-48-48-72*	48	- 48	- 72*	200,000 BTUH	1400	250	0.14	Fully Assembled
SWT05FD-48-48-96*	48	- 48	- 96*	200,000 BTUH	1700	250	0.14	Fully Assembled
SWT05FD-60-60-60*	60	- 60	- 60*	200,000 BTUH	1400	250	0.14	Fully Assembled
SWT05FD-60-60-72*	60	- 60	- 72*	200,000 BTUH	1700	250	0.14	Fully Assembled
SWT05FD-60-60-96*	60	- 60	- 96*	200,000 BTUH	2500	250	0.14	Fully Assembled
SWT05FD-72-72-72*	72	- 72	- 72*	200,000 BTUH	2500	250	0.14	Fully Assembled
SWT05FD-72-72-96*	72	- 72	- 96*	200,000 BTUH	3500	500	0.28	Fully Assembled
SWT05FD-72-120-96	72	- 120	- 96	400,000 BTUH	5500	500	0.28	Fully Assembled
SWT05FD-84-84-84	84	- 84	- 84	400,000 BTUH	4000	500	0.28	Fully Assembled
SWT05FD-84-96-84	84	- 96	- 84	400,000 BTUH	4500	500	0.28	Fully Assembled
SWT05FD-84-120-84	84	- 120	- 84	400,000 BTUH	5500	500	0.28	Fully Assembled
SWT05FD-84-120-96	84	- 120	- 96	400,000 BTUH	7000	500	0.28	Fully Assembled
SWT05FD-96-96-96	96	- 96	- 96	400,000 BTUH	6000	500	0.28	Field Assembly Required
SWT05FD-96-120-96	96	- 120	- 96	700,000 BTUH	8000	500	0.28	Field Assembly Required
SWT05FD-96-144-96	96	- 144	- 96	700,000 BTUH	9000	500	0.28	Field Assembly Required



MODEL	WORKSPACE DIMENSIONS				OVERALL DIMENSIONS		
	IW (in)	ID (in)	IH (in)	DS (in)	OAW (in)	OAD (in)	OAH (in)
SWT05FD-48-48-60	48	48	60	34	78	59	91
SWT05FD-48-48-72	48	48	72	34	78	59	103
SWT05FD-48-48-96	48	48	96	40	90	71	127
SWT05FD-60-60-60	60	60	60	40	90	71	91
SWT05FD-60-60-72	60	60	72	40	90	71	103
SWT05FD-60-60-96	60	60	96	46	102	83	127
SWT05FD-72-72-72	72	72	72	46	102	83	103
SWT05FD-72-72-96	72	72	96	46	102	83	132

SEE SHEET 2 FOR MORE SIZES



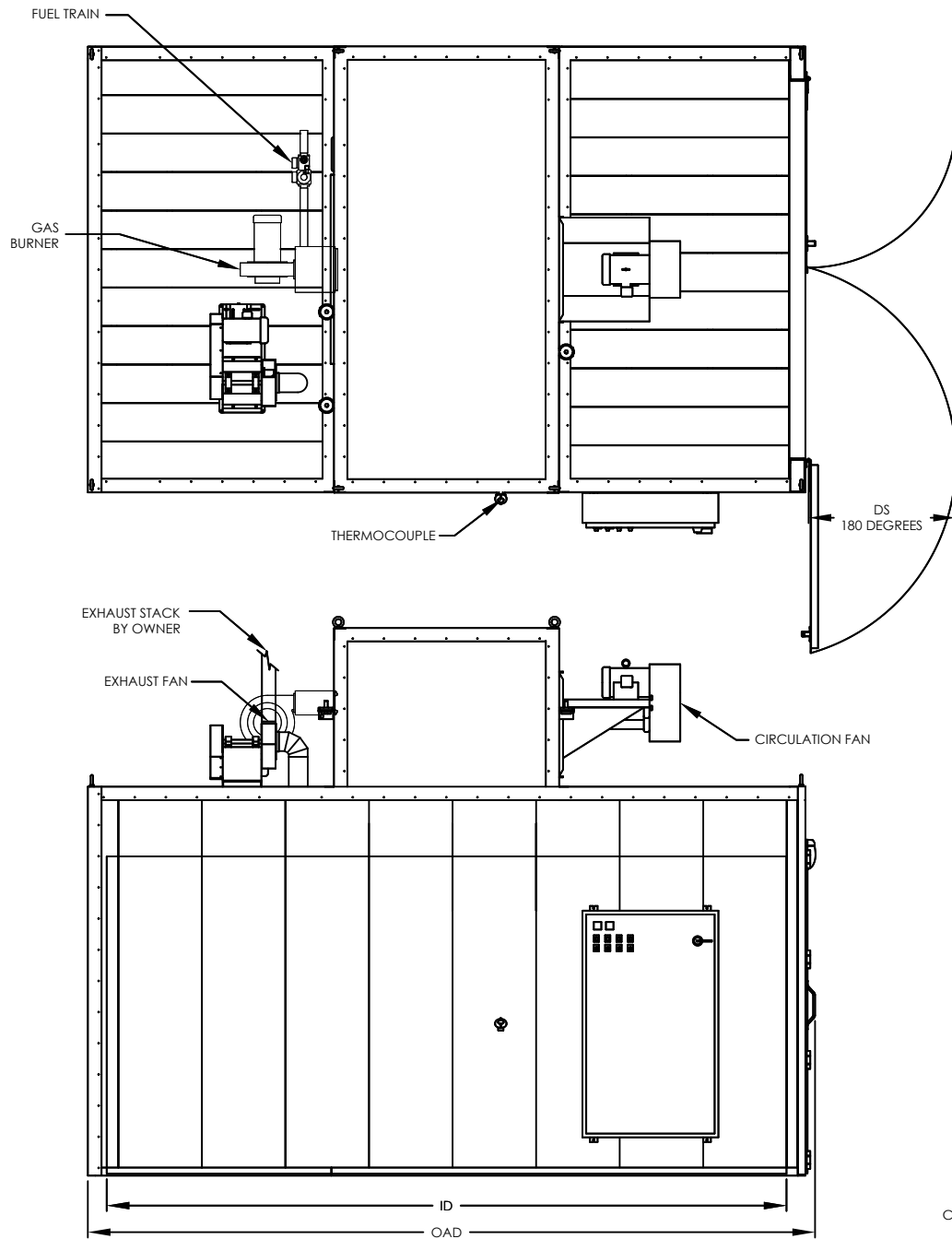
THE NATIONAL FIRE PROTECTION ASSOCIATION'S STANDARD NFPA 86 DOCUMENTS GUIDELINES FOR THE SAFE OPERATION OF OVENS AND FURNACES. THIS STANDARD DEFINES AN OVEN OCCASIONED BY THE PRESENCE OF FLAMMABLE VOLATILES OR COMBUSTIBLE MATERIAL AS "CLASS A" AND FURTHER MANDATES SPECIFIC SAFETY EQUIPMENT ON THESE OVENS TO REDUCE THE RISK OF FIRE OR EXPLOSION. SIMILARLY, OVENS OR FURNACES WHEREIN NO FLAMMABLE VOLATILES OR COMBUSTIBLE MATERIALS ARE PRESENT ARE CONSIDERED "CLASS B". IT IS IMPERATIVE THAT THE USER OF HEAT PROCESSING EQUIPMENT BE KNOWLEDGEABLE REGARDING APPLICATION OF THE EQUIPMENT.

MODEL: SWT05FD
 DESCRIPTION: Standard Walk-In Oven, Top Heater, 500 F, Gas, Dual Air Flow
 DRAWING: SWT05FD SALES

LEWCO, INC. IS COMMITTED TO CONTINUOUS IMPROVEMENT AND RESERVES THE RIGHT TO CHANGE DESIGNS AND SPECIFICATIONS WITHOUT NOTICE.
 THIS DRAWING IS CONFIDENTIAL AND MUST NOT BE COPIED, REPRODUCED OR USED FOR ANY PURPOSE WITHOUT THE WRITTEN CONSENT OF LEWCO, INC. ALL RIGHTS RESERVED.

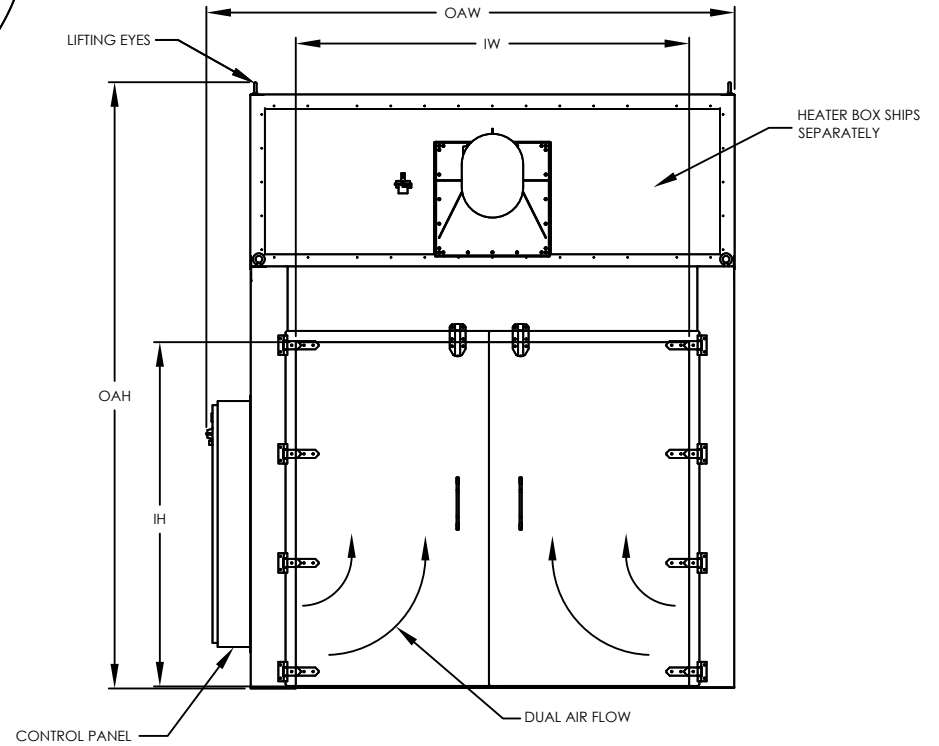
DATE 4/4/2014
 REV 001
 PAGE 1 OF 3





MODEL	WORKSPACE DIMENSIONS				OVERALL DIMENSIONS		
	IW (in)	ID (in)	IH (in)	DS (in)	OAW (in)	OAD (in)	OAH (in)
SWT05FD-72-120-96	72	120	96	46	104	131	145
SWT05FD-84-84-84	84	84	84	52	116	95	161
SWT05FD-84-96-84	84	120	84	52	120	107	160
SWT05FD-84-120-84	84	120	84	52	122	131	178
SWT05FD-84-120-96	84	96	96	52	122	131	178
SWT05FD-96-96-96	96	96	96	58	128	107	173
SWT05FD-96-120-96	96	120	96	58	132	131	178
SWT05FD-96-144-96	96	144	96	58	134	155	173
SWT05FD-96-168-96	96	168	96	58	134	179	178
SWT05FD-96-192-96	96	192	96	58	136	203	185
SWT05FD-96-240-96	96	240	96	58	140	251	190
SWT05FD-96-288-96	96	288	96	58	142	299	194
SWT05FD-96-336-96	96	336	96	58	144	347	201
SWT05FD-96-240-120	96	240	120	58	142	251	218
SWT05FD-96-288-120	96	288	120	58	144	299	230
SWT05FD-96-336-120	96	336	120	58	148	347	232

SEE SHEET 3 FOR MORE SIZES



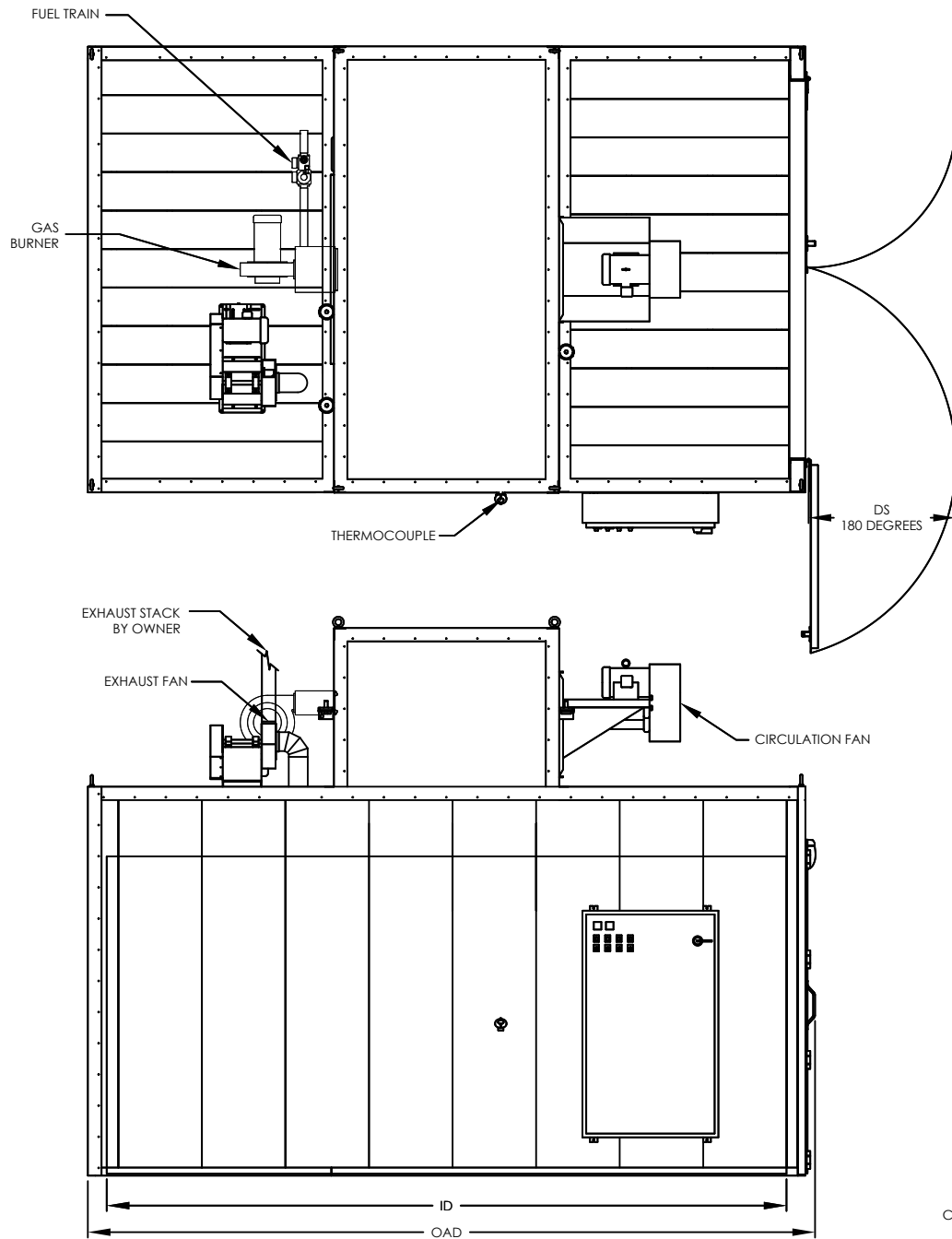
THE NATIONAL FIRE PROTECTION ASSOCIATION'S STANDARD NFPA 86 DOCUMENTS GUIDELINES FOR THE SAFE OPERATION OF OVENS AND FURNACES. THIS STANDARD DEFINES AN OVEN OCCASIONED BY THE PRESENCE OF FLAMMABLE VOLATILES OR COMBUSTIBLE MATERIAL AS "CLASS A" AND FURTHER MANDATES SPECIFIC SAFETY EQUIPMENT ON THESE OVENS TO REDUCE THE RISK OF FIRE OR EXPLOSION. SIMILARLY, OVENS OR FURNACES WHEREIN NO FLAMMABLE VOLATILES OR COMBUSTIBLE MATERIALS ARE PRESENT ARE CONSIDERED "CLASS B". IT IS IMPERATIVE THAT THE USER OF HEAT PROCESSING EQUIPMENT BE KNOWLEDGEABLE REGARDING APPLICATION OF THE EQUIPMENT.

MODEL: SWT05FD
 DESCRIPTION: Standard Walk-In Oven, Top Heater, 500 F, Gas, Dual Air Flow
 DRAWING: SWT05FD SALES

LEWCO, INC. IS COMMITTED TO CONTINUOUS IMPROVEMENT AND RESERVES THE RIGHT TO CHANGE DESIGNS AND SPECIFICATIONS WITHOUT NOTICE.
 THIS DRAWING IS CONFIDENTIAL AND MUST NOT BE COPIED, REPRODUCED OR USED FOR ANY PURPOSE WITHOUT THE WRITTEN CONSENT OF LEWCO, INC. ALL RIGHTS RESERVED.

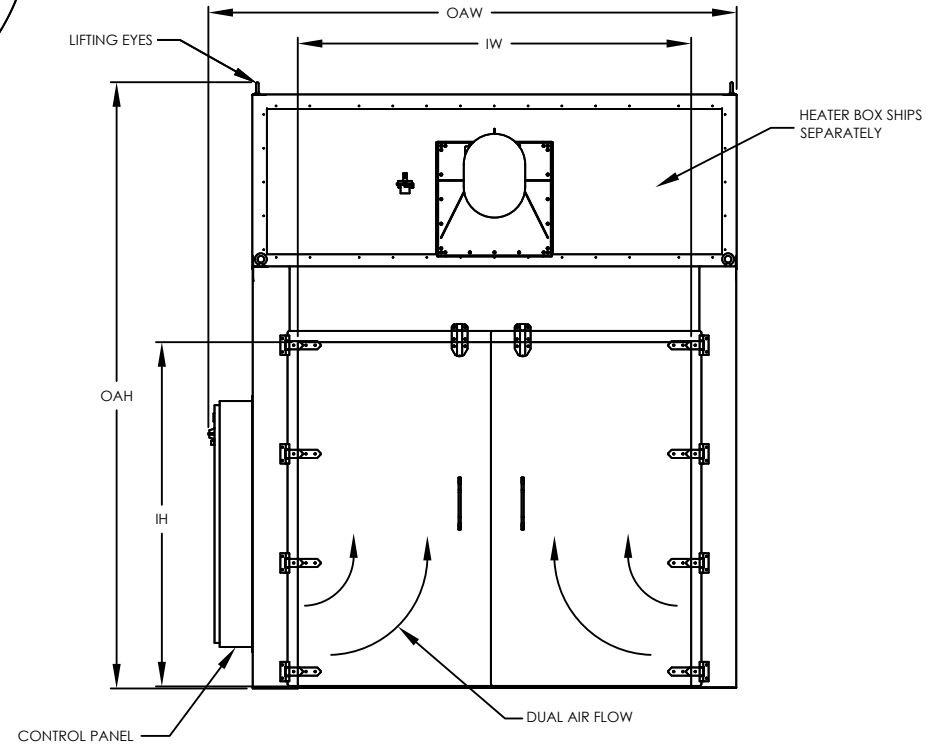
DATE 4/4/2014
 REV 001
 PAGE 2 OF 3





MODEL	WORKSPACE DIMENSIONS				OVERALL DIMENSIONS		
	IW (in)	ID (in)	IH (in)	DS (in)	OAW (in)	OAD (in)	OAH (in)
SWT05FD-120-120-96	120	120	96	70	158	131	174
SWT05FD-120-144-96	120	144	96	70	160	155	183
SWT05FD-120-168-96	120	168	96	70	162	179	185
SWT05FD-120-120-120	120	120	120	70	160	131	209
SWT05FD-120-144-120	120	144	120	70	162	155	209
SWT05FD-120-168-120	120	168	120	70	164	179	216
SWT05FD-120-192-96	120	192	96	70	164	203	190
SWT05FD-120-240-96	120	240	96	70	166	251	192
SWT05FD-120-288-96	120	288	96	70	168	299	205
SWT05FD-120-336-96	120	336	96	70	172	347	208
SWT05FD-120-192-120	120	192	120	70	168	203	216
SWT05FD-120-240-120	120	240	120	70	170	251	231
SWT05FD-120-288-120	120	288	120	70	172	299	239
SWT05FD-120-336-120	120	336	120	70	174	347	240

SEE SHEET 1 FOR MORE SIZES



THE NATIONAL FIRE PROTECTION ASSOCIATION'S STANDARD NFPA 86 DOCUMENTS GUIDELINES FOR THE SAFE OPERATION OF OVENS AND FURNACES. THIS STANDARD DEFINES AN OVEN OCCASIONED BY THE PRESENCE OF FLAMMABLE VOLATILES OR COMBUSTIBLE MATERIAL AS "CLASS A" AND FURTHER MANDATES SPECIFIC SAFETY EQUIPMENT ON THESE OVENS TO REDUCE THE RISK OF FIRE OR EXPLOSION. SIMILARLY, OVENS OR FURNACES WHEREIN NO FLAMMABLE VOLATILES OR COMBUSTIBLE MATERIALS ARE PRESENT ARE CONSIDERED "CLASS B". IT IS IMPERATIVE THAT THE USER OF HEAT PROCESSING EQUIPMENT BE KNOWLEDGEABLE REGARDING APPLICATION OF THE EQUIPMENT.

MODEL: SWT05FD
 DESCRIPTION: Standard Walk-In Oven, Top Heater, 500 F, Gas, Dual Air Flow
 DRAWING: SWT05FD SALES

LEWCO, INC. IS COMMITTED TO CONTINUOUS IMPROVEMENT AND RESERVES THE RIGHT TO CHANGE DESIGNS AND SPECIFICATIONS WITHOUT NOTICE.
 THIS DRAWING IS CONFIDENTIAL AND MUST NOT BE COPIED, REPRODUCED OR USED FOR ANY PURPOSE WITHOUT THE WRITTEN CONSENT OF LEWCO, INC. ALL RIGHTS RESERVED.

DATE 4/4/2014
 REV 001
 PAGE 3 OF 3

