

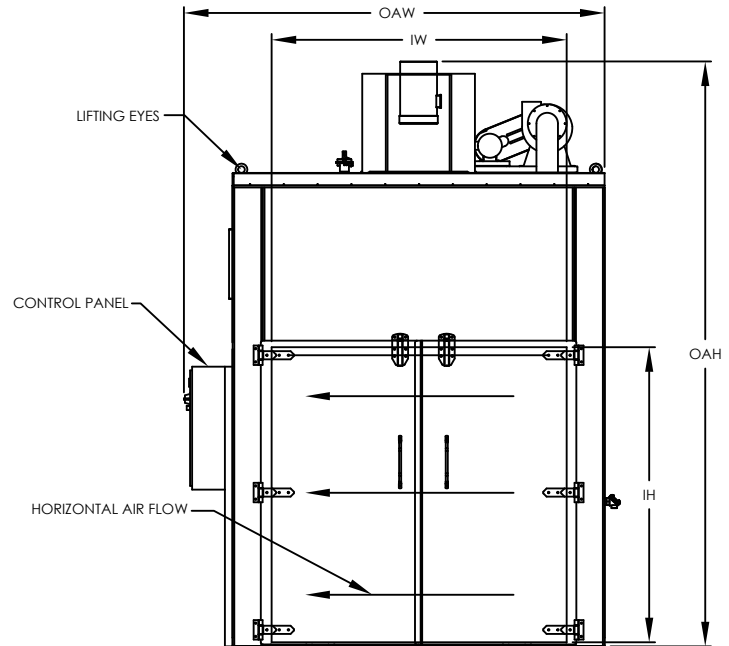
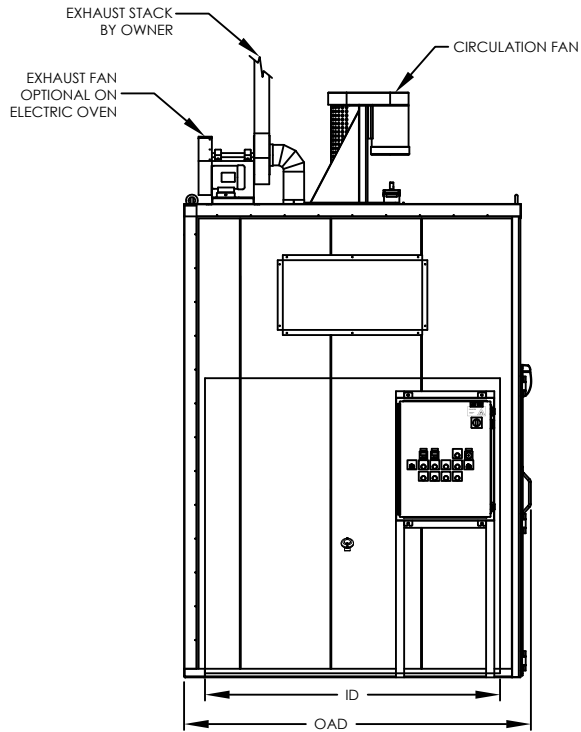
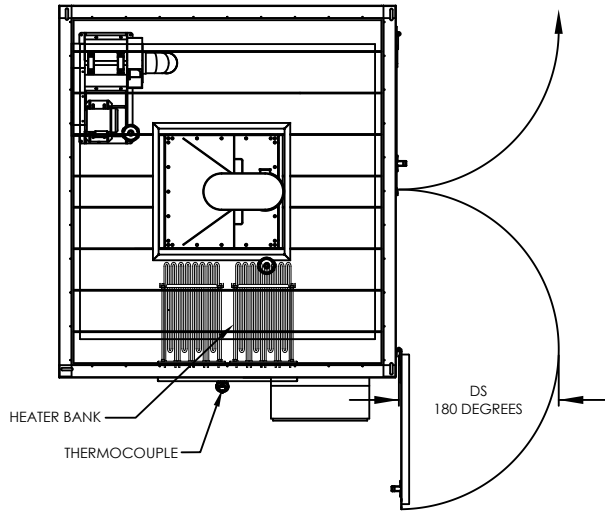


**Standard Walk-In Oven, Top Heater, 500 F, Electric, Horizontal Air Flow  
NFPA Class B**

Model	Workspace Dimensions			Heat Input	Circulating Blower (CFM)	Ships
	"W	"D	"H			
SWT05EH-48-48-72	48	48	72	36	1400	Fully Assembled
SWT05EH-48-48-96	48	48	96	45	1700	Field Assembly Required
SWT05EH-48-72-72	48	72	72	45	1700	Fully Assembled
SWT05EH-48-96-72	48	96	72	54	2500	Fully Assembled
SWT05EH-48-96-96	48	96	96	63	3000	Field Assembly Required
SWT05EH-60-60-60	60	60	60	36	1400	Fully Assembled
SWT05EH-60-60-72	60	60	72	45	1700	Fully Assembled
SWT05EH-60-60-96	60	60	96	54	2500	Fully Assembled
SWT05EH-60-72-72	60	72	72	54	2000	Field Assembly Required
SWT05EH-60-72-96	60	72	96	63	3000	Field Assembly Required
SWT05EH-60-96-96	60	96	96	63	4000	Field Assembly Required
SWT05EH-72-72-72	72	72	72	54	2500	Fully Assembled No Exhaust
SWT05EH-72-72-96	72	72	96	63	3500	Field Assembly Required
SWT05EH-72-96-96	72	96	96	72	4500	Fully Assembled No Exhaust
SWT05EH-72-120-96	72	120	96	81	5500	Field Assembly Required

**Standard Walk-In Oven, Top Heater, 500 F, Electric, Horizontal Air Flow  
NFPA Class A**

Model	Workspace Dimensions			Heat Input	Circulating Blower (CFM)	Exhaust (ACFM)	Max. Solvent (Gals. / Batch)	Ships
	"W	"D	"H					
SWT05EH-48-48-72	48	48	72	45	1400	62	0.05	Field Assembly Required
SWT05EH-48-48-96	48	48	96	54	1700	62	0.05	Field Assembly Required
SWT05EH-48-72-72	48	72	72	54	1700	62	0.05	Field Assembly Required
SWT05EH-48-96-72	48	96	72	54	2500	62	0.05	Field Assembly Required
SWT05EH-48-96-96	48	96	96	63	3000	62	0.05	Field Assembly Required
SWT05EH-60-60-60	60	60	60	45	1400	62	0.05	Field Assembly Required
SWT05EH-60-60-72	60	60	72	54	1700	62	0.05	Field Assembly Required
SWT05EH-60-60-96	60	60	96	63	2500	62	0.05	Field Assembly Required
SWT05EH-60-72-72	60	72	72	54	2000	62	0.05	Field Assembly Required
SWT05EH-60-72-96	60	72	96	63	3000	62	0.05	Field Assembly Required
SWT05EH-60-96-96	60	96	96	81	4000	100	0.09	Field Assembly Required
SWT05EH-72-72-72	72	72	72	63	2500	62	0.05	Field Assembly Required
SWT05EH-72-72-96	72	72	96	72	3500	100	0.08	Field Assembly Required
SWT05EH-72-96-96	72	96	96	90	4500	100	0.09	Field Assembly Required
SWT05EH-72-120-96	72	120	96	99	5500	100	0.09	Field Assembly Required



MODEL	WORKSPACE DIMENSIONS				OVERALL DIMENSIONS		
	IW	ID	IH	DS	OAW	OAD	OAH
	(in)	(in)	(in)	(in)	(in)	(in)	(in)
SWT05EH-48-48-72	48	48	72	34	76	60	135
SWT05EH-48-48-96	48	48	96	34	78	60	159
SWT05EH-48-72-72	48	72	72	34	78	84	135
SWT05EH-60-60-60	60	60	60	40	90	72	123
SWT05EH-60-60-72	60	60	72	40	90	72	135
SWT05EH-60-60-96	60	60	96	40	94	72	159
SWT05EH-60-72-72	60	72	72	40	92	84	135
SWT05EH-60-72-96	60	72	96	40	94	84	159
SWT05EH-72-72-72	72	72	72	46	106	84	135
SWT05EH-72-72-96	72	72	96	46	108	84	160

SEE SHEET 2 FOR MORE SIZES

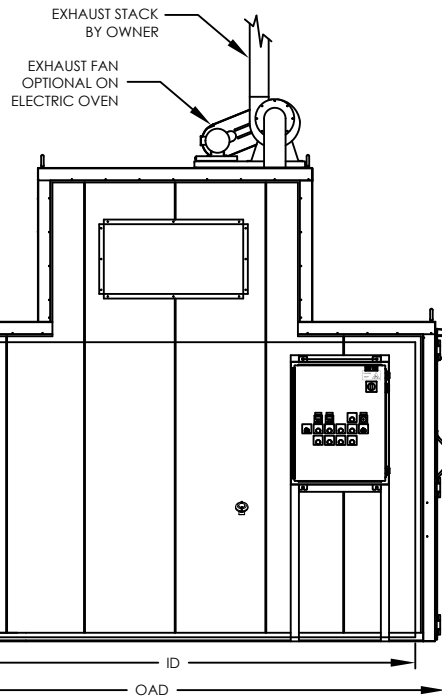
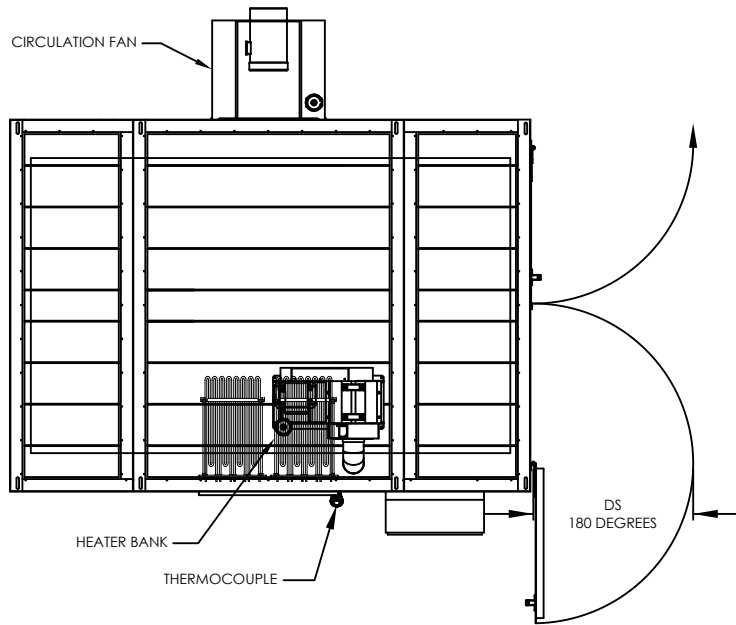
THE NATIONAL FIRE PROTECTION ASSOCIATION'S STANDARD NFPA 86 DOCUMENTS GUIDELINES FOR THE SAFE OPERATION OF OVENS AND FURNACES. THIS STANDARD DEFINES AN OVEN OCCASIONED BY THE PRESENCE OF FLAMMABLE VOLATILES OR COMBUSTIBLE MATERIAL AS "CLASS A" AND FURTHER MANDATES SPECIFIC SAFETY EQUIPMENT ON THESE OVENS TO REDUCE THE RISK OF FIRE OR EXPLOSION. SIMILARLY, OVENS OR FURNACES WHEREIN NO FLAMMABLE VOLATILES OR COMBUSTIBLE MATERIALS ARE PRESENT ARE CONSIDERED "CLASS B". IT IS IMPERATIVE THAT THE USER OF HEAT PROCESSING EQUIPMENT BE KNOWLEDGEABLE REGARDING APPLICATION OF THE EQUIPMENT.

MODEL: SWT05EH  
DESCRIPTION: Standard Walk-In Oven, Top Heater, 500 F, Electric, Horizontal Air Flow  
DRAWING: SWT05EH SALES

LEWCO, INC. IS COMMITTED TO CONTINUOUS IMPROVEMENT AND RESERVES THE RIGHT TO CHANGE DESIGNS AND SPECIFICATIONS WITHOUT NOTICE.  
THIS DRAWING IS CONFIDENTIAL AND MUST NOT BE COPIED, REPRODUCED OR USED FOR ANY PURPOSE WITHOUT THE WRITTEN CONSENT OF LEWCO, INC. ALL RIGHTS RESERVED.

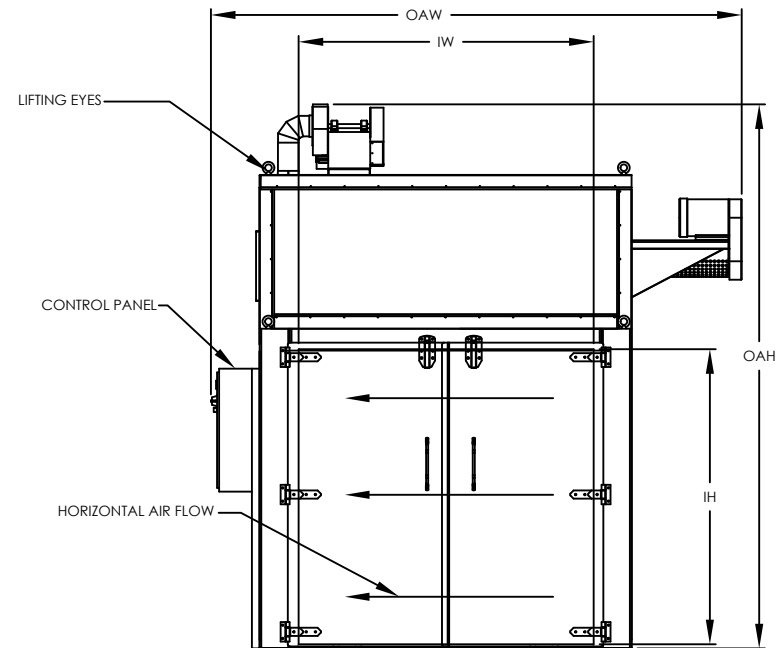
DATE 4/4/2014  
REV 001  
PAGE 1 OF 2





MODEL	WORKSPACE DIMENSIONS				OVERALL DIMENSIONS		
	IW	ID	IH	DS	OAW	OAD	OAH
	(in)	(in)	(in)	(in)	(in)	(in)	(in)
SWT05EH-48-96-72	48	96	72	34	82	108	135
SWT05EH-48-96-96	48	96	96	34	82	108	160
SWT05EH-60-96-96	60	96	96	40	96	108	165
SWT05EH-72-96-96	72	96	96	46	110	108	167
SWT05EH-72-120-96	72	120	96	46	112	132	169

SEE SHEET 1 FOR MORE SIZES



THE NATIONAL FIRE PROTECTION ASSOCIATION'S STANDARD NFPA 86 DOCUMENTS GUIDELINES FOR THE SAFE OPERATION OF OVENS AND FURNACES. THIS STANDARD DEFINES AN OVEN OCCASIONED BY THE PRESENCE OF FLAMMABLE VOLATILES OR COMBUSTIBLE MATERIAL AS "CLASS A" AND FURTHER MANDATES SPECIFIC SAFETY EQUIPMENT ON THESE OVENS TO REDUCE THE RISK OF FIRE OR EXPLOSION. SIMILARLY, OVENS OR FURNACES WHEREIN NO FLAMMABLE VOLATILES OR COMBUSTIBLE MATERIALS ARE PRESENT ARE CONSIDERED "CLASS B". IT IS IMPERATIVE THAT THE USER OF HEAT PROCESSING EQUIPMENT BE KNOWLEDGEABLE REGARDING APPLICATION OF THE EQUIPMENT.

MODEL: SWT05EH  
 DESCRIPTION: Standard Walk-In Oven, Top Heater, 500 F, ELECTRIC, Horizontal Air Flow  
 DRAWING: SWT05EH SALES

LEWCO, INC. IS COMMITTED TO CONTINUOUS IMPROVEMENT AND RESERVES THE RIGHT TO CHANGE DESIGNS AND SPECIFICATIONS WITHOUT NOTICE.  
 THIS DRAWING IS CONFIDENTIAL AND MUST NOT BE COPIED, REPRODUCED OR USED FOR ANY PURPOSE WITHOUT THE WRITTEN CONSENT OF LEWCO, INC. ALL RIGHTS RESERVED.

DATE 4/4/2014  
 REV 001  
 PAGE 2 OF 2

