

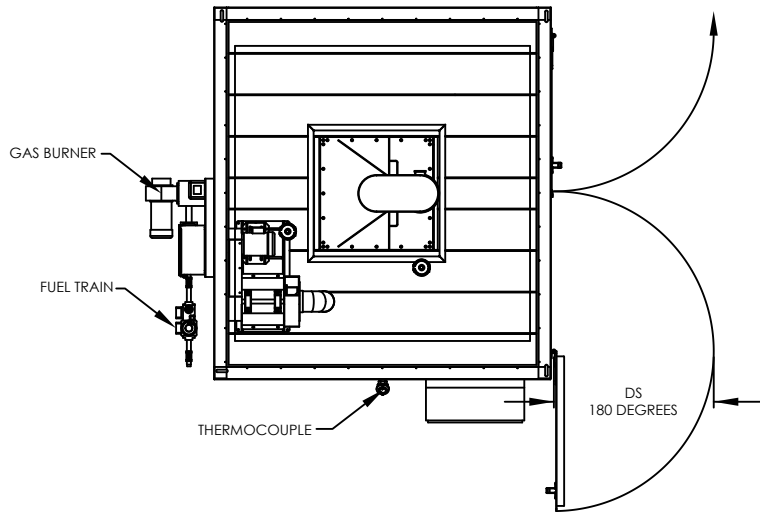


**Standard Walk-In Oven, Top Heater, 350 F, Fuel Fired, Horizontal Air Flow  
NFPA Class B**

Model	Workspace Dimensions			Heat Input	Circulating Blower (CFM)	Exhaust (ACFM)	Ships
	"W	"D	"H				
SWT03FH-48-48-72	48	- 48	- 72	200,000 BTUH	1400	100	Fully Assembled
SWT03FH-48-48-96	48	- 48	- 96	200,000 BTUH	1700	100	Fully Assembled
SWT03FH-48-72-72	48	- 72	- 72	200,000 BTUH	1700	100	Fully Assembled
SWT03FH-48-96-72	48	- 96	- 72	200,000 BTUH	2500	100	Fully Assembled
SWT03FH-48-96-96	48	- 96	- 96	200,000 BTUH	3000	100	Fully Assembled
SWT03FH-60-60-60	60	- 60	- 60	200,000 BTUH	1400	100	Fully Assembled
SWT03FH-60-60-72	60	- 60	- 72	200,000 BTUH	1700	100	Fully Assembled
SWT03FH-60-60-96	60	- 60	- 96	200,000 BTUH	2500	100	Field Assembly Required
SWT03FH-60-72-72	60	- 72	- 72	200,000 BTUH	2500	100	Field Assembly Required
SWT03FH-60-72-96	60	- 72	- 96	200,000 BTUH	3000	100	Field Assembly Required
SWT03FH-60-96-96	60	- 96	- 96	200,000 BTUH	4000	250	Field Assembly Required
SWT03FH-72-72-72	72	- 72	- 72	200,000 BTUH	2500	100	Field Assembly Required
SWT03FH-72-72-96	72	- 72	- 96	200,000 BTUH	3500	250	Field Assembly Required
SWT03FH-72-96-96	72	- 96	- 96	200,000 BTUH	4500	250	Field Assembly Required
SWT03FH-72-120-96	72	- 120	- 96	200,000 BTUH	5500	250	Field Assembly Required

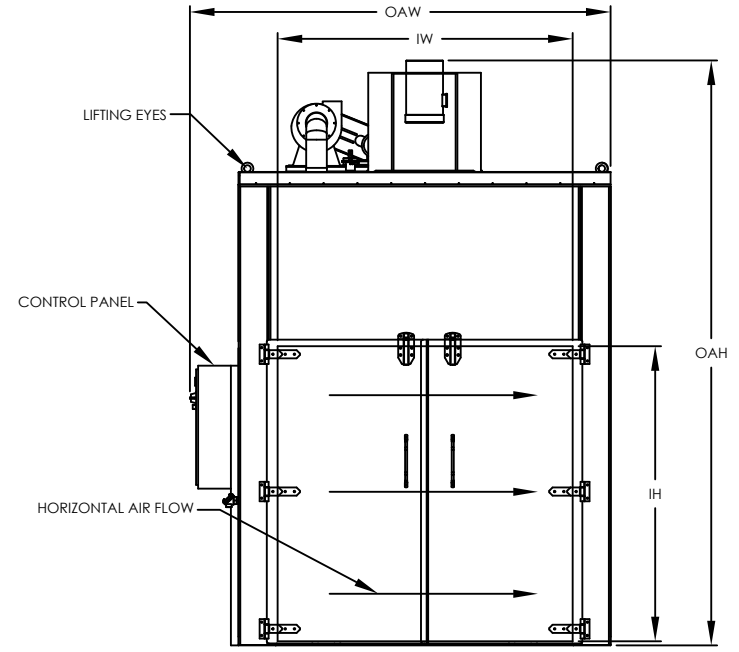
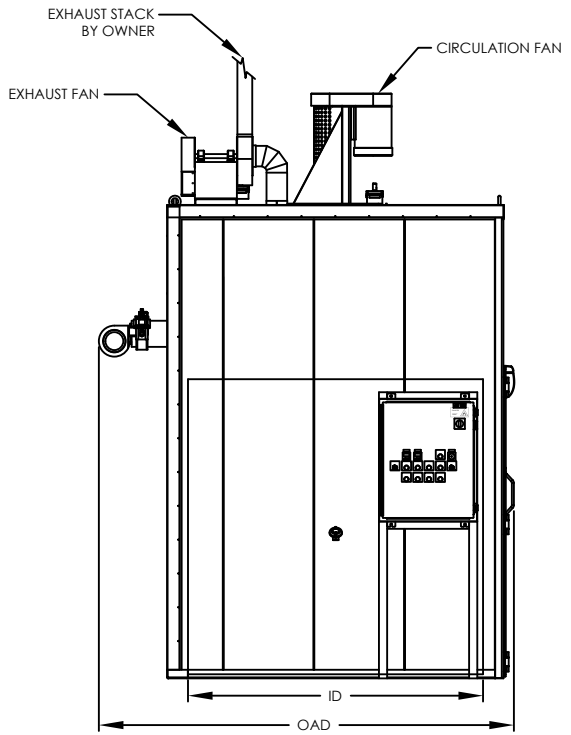
**Standard Walk-In Oven, Top Heater, 350 F, Fuel Fired, Horizontal Air Flow  
NFPA Class A**

Model	Workspace Dimensions			Heat Input	Circulating Blower (CFM)	Exhaust (ACFM)	Max. Solvent (Gals. / Batch)	Ships
	"W	"D	"H					
SWT03FH-48-48-72	48	48	72	200,000 BTUH	1400	250	0.14	Fully Assembled
SWT03FH-48-48-96	48	48	96	200,000 BTUH	1700	250	0.14	Fully Assembled
SWT03FH-48-72-72	48	72	72	200,000 BTUH	1700	250	0.14	Fully Assembled
SWT03FH-48-96-72	48	96	72	200,000 BTUH	2500	250	0.14	Fully Assembled
SWT03FH-48-96-96	48	96	96	200,000 BTUH	3000	250	0.14	Fully Assembled
SWT03FH-60-60-60	60	60	60	200,000 BTUH	1400	250	0.14	Fully Assembled
SWT03FH-60-60-72	60	60	72	200,000 BTUH	1700	250	0.14	Fully Assembled
SWT03FH-60-60-96	60	60	96	200,000 BTUH	2500	250	0.14	Field Assembly Required
SWT03FH-60-72-72	60	72	72	200,000 BTUH	2500	250	0.14	Field Assembly Required
SWT03FH-60-72-96	60	72	96	200,000 BTUH	3000	250	0.14	Field Assembly Required
SWT03FH-60-96-96	60	96	96	200,000 BTUH	4000	500	0.28	Field Assembly Required
SWT03FH-72-72-72	72	72	72	200,000 BTUH	2500	250	0.14	Field Assembly Required
SWT03FH-72-72-96	72	72	96	200,000 BTUH	3500	500	0.27	Field Assembly Required
SWT03FH-72-96-96	72	96	96	200,000 BTUH	4500	500	0.28	Field Assembly Required
SWT03FH-72-120-96	72	120	96	200,000 BTUH	5500	500	0.28	Field Assembly Required



MODEL	WORKSPACE DIMENSIONS				OVERALL DIMENSIONS		
	IW	ID	IH	DS	OAW	OAD	OAH
	(in)	(in)	(in)	(in)	(in)	(in)	(in)
SWT03FH-48-48-72	48	48	72	34	76	77	162
SWT03FH-48-48-96	48	48	96	34	78	77	163
SWT03FH-48-72-72	48	72	72	34	78	101	164
SWT03FH-48-96-72	48	96	72	34	82	125	165
SWT03FH-48-96-96	48	96	96	34	78	125	166
SWT03FH-60-60-60	60	60	60	40	88	89	167
SWT03FH-60-60-72	60	60	72	40	90	89	168

SEE SHEET 1 FOR MORE SIZES

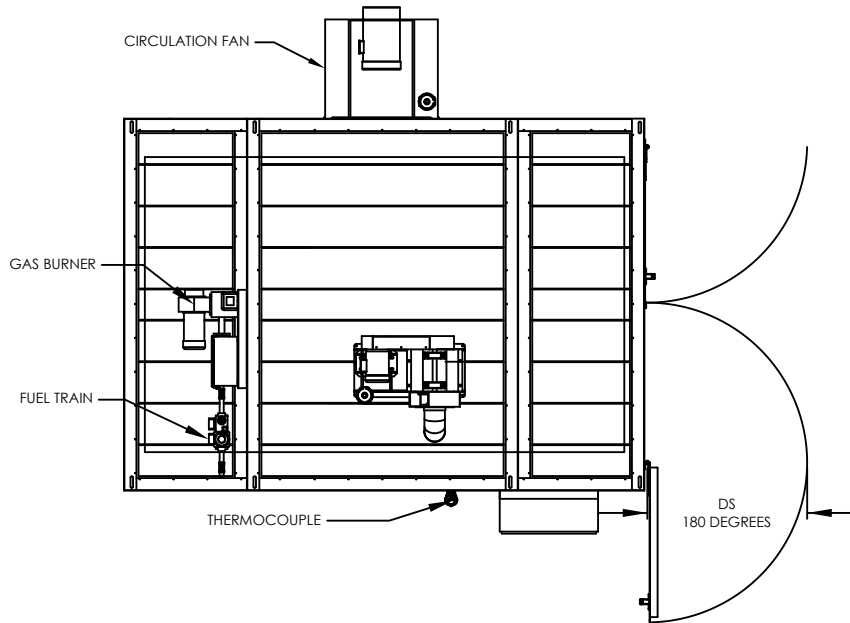


THE NATIONAL FIRE PROTECTION ASSOCIATION'S STANDARD NFPA 86 DOCUMENTS GUIDELINES FOR THE SAFE OPERATION OF OVENS AND FURNACES. THIS STANDARD DEFINES AN OVEN OCCASIONED BY THE PRESENCE OF FLAMMABLE VOLATILES OR COMBUSTIBLE MATERIAL AS "CLASS A" AND FURTHER MANDATES SPECIFIC SAFETY EQUIPMENT ON THESE OVENS TO REDUCE THE RISK OF FIRE OR EXPLOSION. SIMILARLY, OVENS OR FURNACES WHEREIN NO FLAMMABLE VOLATILES OR COMBUSTIBLE MATERIALS ARE PRESENT ARE CONSIDERED "CLASS B". IT IS IMPERATIVE THAT THE USER OF HEAT PROCESSING EQUIPMENT BE KNOWLEDGEABLE REGARDING APPLICATION OF THE EQUIPMENT.

MODEL: SWT03FH  
 DESCRIPTION: Standard Walk-In Oven, Top Heater, 350 F, Gas, Horizontal Air Flow  
 DRAWING: SWT03FH SALES

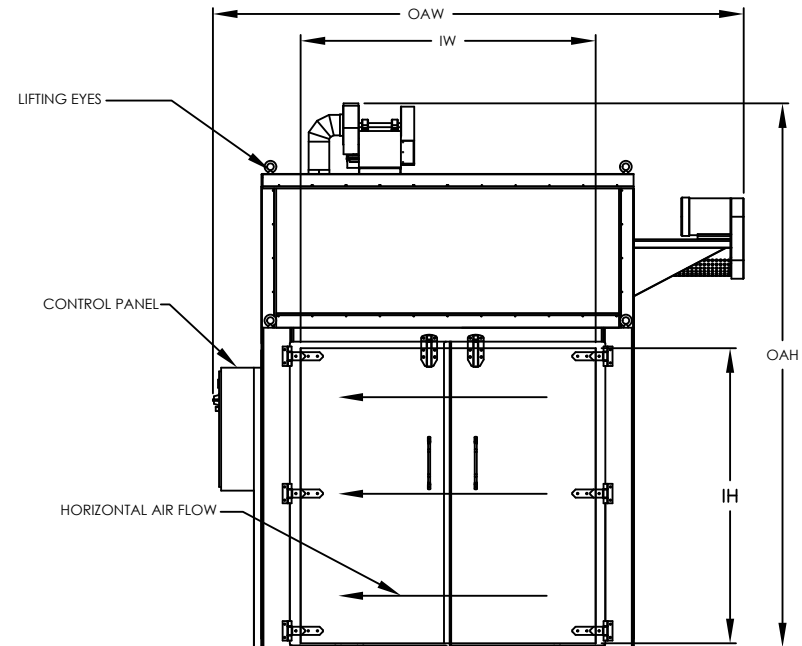
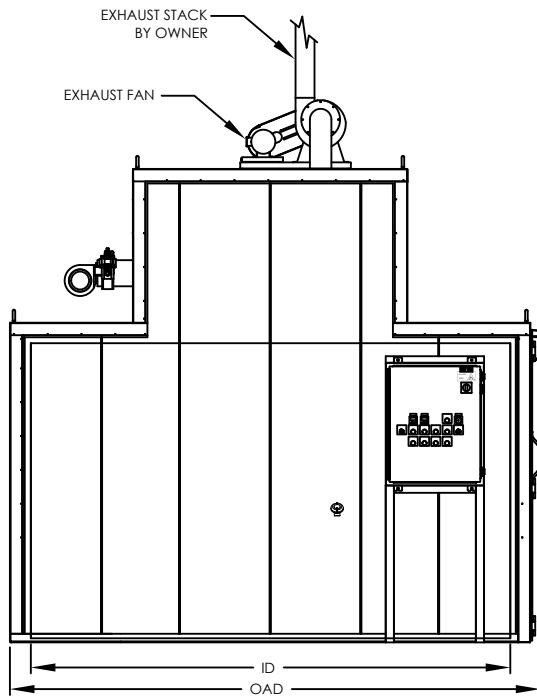
LEWCO, INC. IS COMMITTED TO CONTINUOUS IMPROVEMENT AND RESERVES THE RIGHT TO CHANGE DESIGNS AND SPECIFICATIONS WITHOUT NOTICE.  
 DATE 4/28/2014  
 REV 001  
 THIS DRAWING IS CONFIDENTIAL AND MUST NOT BE COPIED, REPRODUCED OR USED FOR ANY PURPOSE WITHOUT THE WRITTEN CONSENT OF LEWCO, INC. ALL RIGHTS RESERVED.  
 PAGE 1 OF 2





MODEL	WORKSPACE DIMENSIONS				OVERALL DIMENSIONS		
	IW	ID	IH	DS	OAW	OAD	OAH
	(in)	(in)	(in)	(in)	(in)	(in)	(in)
SWT03FH-60-60-96	60	60	72	40	94	89	169
SWT03FH-60-72-72	60	72	72	40	92	101	170
SWT03FH-60-72-96	60	72	96	40	94	101	171
SWT03FH-60-96-96	60	96	96	40	96	125	172
SWT03FH-72-72-72	72	72	72	46	106	101	173
SWT03FH-72-72-96	72	72	96	46	104	101	174
SWT03FH-72-96-96	72	96	96	46	110	125	175
SWT03FH-72-120-96	72	120	96	46	112	149	176

SEE SHEET 1 FOR MORE SIZES



THE NATIONAL FIRE PROTECTION ASSOCIATION'S STANDARD NFPA 86 DOCUMENTS GUIDELINES FOR THE SAFE OPERATION OF OVENS AND FURNACES. THIS STANDARD DEFINES AN OVEN OCCASIONED BY THE PRESENCE OF FLAMMABLE VOLATILES OR COMBUSTIBLE MATERIAL AS "CLASS A" AND FURTHER MANDATES SPECIFIC SAFETY EQUIPMENT ON THESE OVENS TO REDUCE THE RISK OF FIRE OR EXPLOSION. SIMILARLY, OVENS OR FURNACES WHEREIN NO FLAMMABLE VOLATILES OR COMBUSTIBLE MATERIALS ARE PRESENT ARE CONSIDERED "CLASS B". IT IS IMPERATIVE THAT THE USER OF HEAT PROCESSING EQUIPMENT BE KNOWLEDGEABLE REGARDING APPLICATION OF THE EQUIPMENT.

MODEL: SWT03FH  
 DESCRIPTION: Standard Walk-In Oven, Top Heater, 350 F, Gas, Horizontal Air Flow  
 DRAWING: SWT03FH SALES

LEWCO, INC. IS COMMITTED TO CONTINUOUS IMPROVEMENT AND RESERVES THE RIGHT TO CHANGE DESIGNS AND SPECIFICATIONS WITHOUT NOTICE.  
 THIS DRAWING IS CONFIDENTIAL AND MUST NOT BE COPIED, REPRODUCED OR USED FOR ANY PURPOSE WITHOUT THE WRITTEN CONSENT OF LEWCO, INC. ALL RIGHTS RESERVED.

DATE 4/28/2014  
 REV 001  
 PAGE 2 OF 2

