

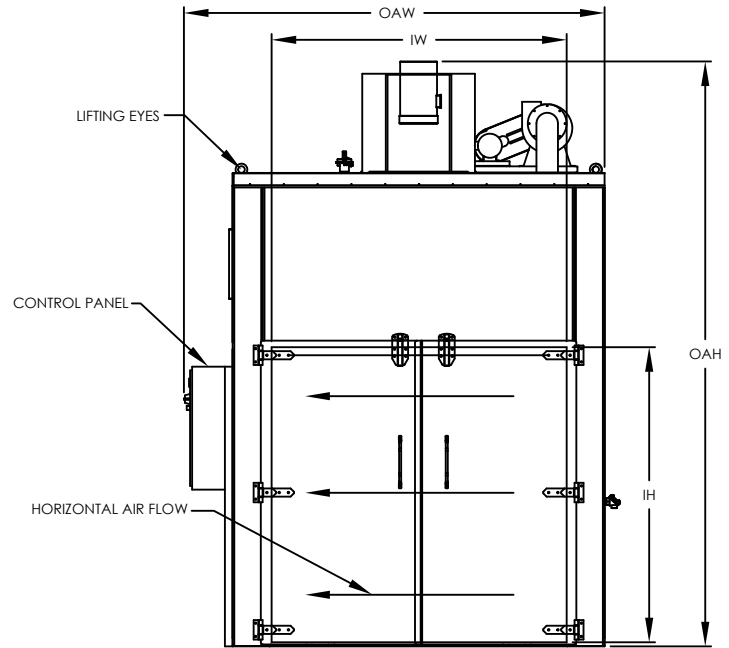
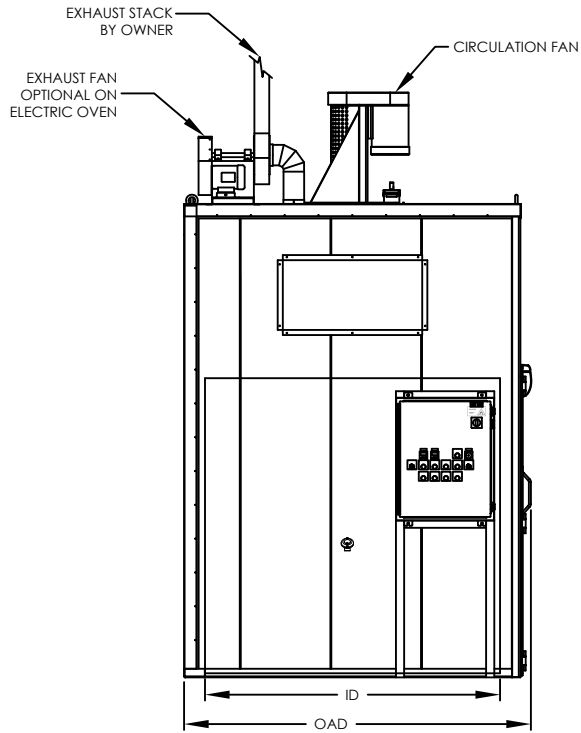
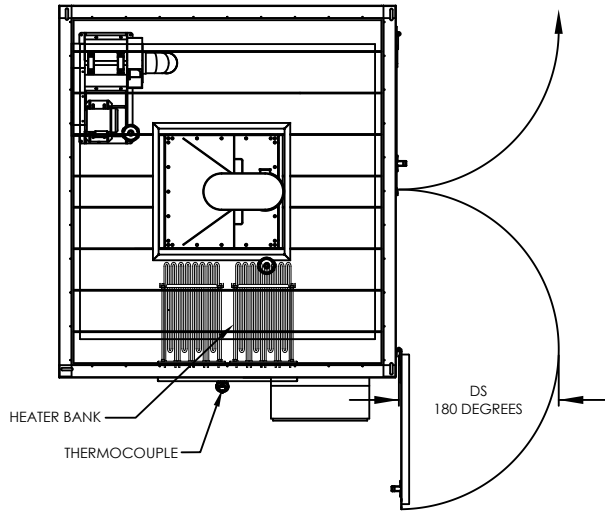


**Standard Walk-In Oven, Top Heater, 350 F, Electric, Horizontal Air Flow
NFPA Class B**

| Model | Workspace Dimensions | | | Heat Input | Circulating Blower (CFM) | Ships |
|-------------------|----------------------|-----|----|------------|--------------------------|-------------------------|
| | "W | "D | "H | | | |
| SWT03EH-48-48-72 | 48 | 48 | 72 | 36 | 1400 | Fully Assembled |
| SWT03EH-48-48-96 | 48 | 48 | 96 | 36 | 1700 | Field Assembly Required |
| SWT03EH-48-72-72 | 48 | 72 | 72 | 36 | 1700 | Fully Assembled |
| SWT03EH-48-96-72 | 48 | 96 | 72 | 36 | 2500 | Fully Assembled |
| SWT03EH-48-96-96 | 48 | 96 | 96 | 45 | 3000 | Field Assembly Required |
| SWT03EH-60-60-60 | 60 | 60 | 60 | 36 | 1400 | Fully Assembled |
| SWT03EH-60-60-72 | 60 | 60 | 72 | 36 | 1700 | Fully Assembled |
| SWT03EH-60-60-96 | 60 | 60 | 96 | 36 | 2500 | Field Assembly Required |
| SWT03EH-60-72-72 | 60 | 72 | 72 | 36 | 2000 | Fully Assembled |
| SWT03EH-60-72-96 | 60 | 72 | 96 | 45 | 3000 | Field Assembly Required |
| SWT03EH-60-96-96 | 60 | 96 | 96 | 45 | 4000 | Field Assembly Required |
| SWT03EH-72-72-72 | 72 | 72 | 72 | 36 | 2500 | Fully Assembled |
| SWT03EH-72-72-96 | 72 | 72 | 96 | 45 | 3500 | Field Assembly Required |
| SWT03EH-72-96-96 | 72 | 96 | 96 | 54 | 4500 | Field Assembly Required |
| SWT03EH-72-120-96 | 72 | 120 | 96 | 63 | 5500 | Field Assembly Required |

**Standard Walk-In Oven, Top Heater, 350 F, Electric, Horizontal Air Flow
NFPA Class A**

| Model | Workspace Dimensions | | | Heat Input | Circulating Blower (CFM) | Exhaust (ACFM) | Max. Solvent (Gals. / Batch) | Ships |
|-------------------|----------------------|-----|----|------------|--------------------------|----------------|------------------------------|-------------------------|
| | "W | "D | "H | | | | | |
| SWT03EH-48-48-72 | 48 | 48 | 72 | 36 | 1400 | 62 | 0.05 | Field Assembly Required |
| SWT03EH-48-48-96 | 48 | 48 | 96 | 36 | 1700 | 62 | 0.05 | Field Assembly Required |
| SWT03EH-48-72-72 | 48 | 72 | 72 | 36 | 1700 | 62 | 0.05 | Field Assembly Required |
| SWT03EH-48-96-72 | 48 | 96 | 72 | 45 | 2500 | 62 | 0.05 | Field Assembly Required |
| SWT03EH-48-96-96 | 48 | 96 | 96 | 45 | 3000 | 62 | 0.05 | Field Assembly Required |
| SWT03EH-60-60-60 | 60 | 60 | 60 | 36 | 1400 | 62 | 0.05 | Field Assembly Required |
| SWT03EH-60-60-72 | 60 | 60 | 72 | 36 | 1700 | 62 | 0.05 | Field Assembly Required |
| SWT03EH-60-60-96 | 60 | 60 | 96 | 45 | 2500 | 62 | 0.05 | Field Assembly Required |
| SWT03EH-60-72-72 | 60 | 72 | 72 | 45 | 2500 | 62 | 0.05 | Field Assembly Required |
| SWT03EH-60-72-96 | 60 | 72 | 96 | 45 | 3000 | 62 | 0.05 | Field Assembly Required |
| SWT03EH-60-96-96 | 60 | 96 | 96 | 54 | 4000 | 100 | 0.09 | Field Assembly Required |
| SWT03EH-72-72-72 | 72 | 72 | 72 | 45 | 2500 | 62 | 0.05 | Field Assembly Required |
| SWT03EH-72-72-96 | 72 | 72 | 96 | 54 | 3500 | 100 | 0.08 | Field Assembly Required |
| SWT03EH-72-96-96 | 72 | 96 | 96 | 63 | 4500 | 100 | 0.09 | Field Assembly Required |
| SWT03EH-72-120-96 | 72 | 120 | 96 | 63 | 5500 | 100 | 0.09 | Field Assembly Required |



| MODEL | WORKSPACE DIMENSIONS | | | | OVERALL DIMENSIONS | | |
|------------------|----------------------|------------|------------|------------|--------------------|-------------|-------------|
| | IW (in) | ID (in) | IH (in) | DS (in) | OAW (in) | OAD (in) | OAH (in) |
| SWT03EH-48-48-72 | 48 | 48 | 72 | 34 | 76 | 60 | 135 |
| SWT03EH-48-48-96 | 48 | 48 | 96 | 34 | 78 | 84 | 135 |
| SWT03EH-48-72-72 | 48 | 72 | 72 | 34 | 82 | 108 | 135 |
| SWT03EH-60-60-60 | 60 | 60 | 60 | 40 | 88 | 72 | 123 |
| SWT03EH-60-60-72 | 60 | 60 | 72 | 40 | 90 | 72 | 135 |
| SWT03EH-60-72-72 | 60 | 72 | 72 | 40 | 92 | 84 | 135 |
| SWT03EH-72-72-72 | 72 | 72 | 72 | 46 | 106 | 84 | 135 |

SEE SHEET 2 FOR MORE SIZES

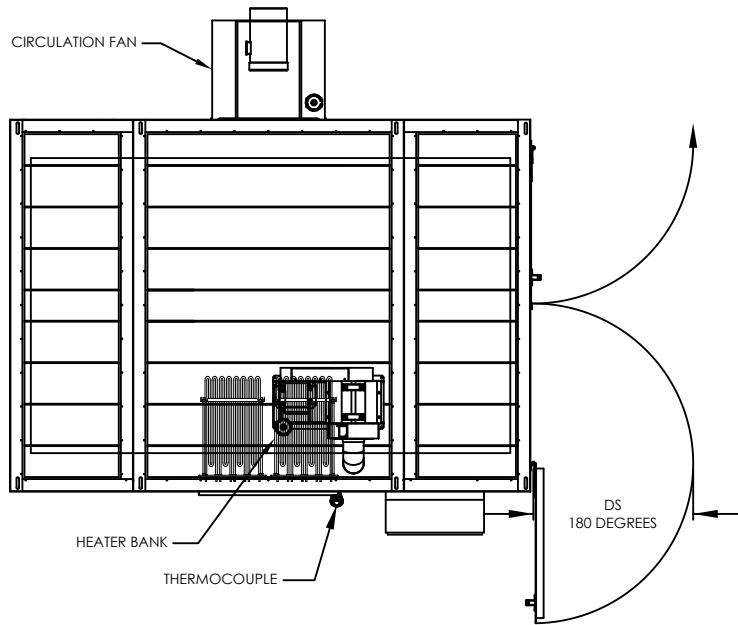
THE NATIONAL FIRE PROTECTION ASSOCIATION'S STANDARD NFPA 86 DOCUMENTS GUIDELINES FOR THE SAFE OPERATION OF OVENS AND FURNACES. THIS STANDARD DEFINES AN OVEN OCCASIONED BY THE PRESENCE OF FLAMMABLE VOLATILES OR COMBUSTIBLE MATERIAL AS "CLASS A" AND FURTHER MANDATES SPECIFIC SAFETY EQUIPMENT ON THESE OVENS TO REDUCE THE RISK OF FIRE OR EXPLOSION. SIMILARLY, OVENS OR FURNACES WHEREIN NO FLAMMABLE VOLATILES OR COMBUSTIBLE MATERIALS ARE PRESENT ARE CONSIDERED "CLASS B". IT IS IMPERATIVE THAT THE USER OF HEAT PROCESSING EQUIPMENT BE KNOWLEDGEABLE REGARDING APPLICATION OF THE EQUIPMENT.

MODEL: SWT03EH
 DESCRIPTION: Standard Walk-In Oven, Top Heater, 350 F, Electric, Horizontal Air Flow
 DRAWING: SWT03EH SALES

LEWCO, INC. IS COMMITTED TO CONTINUOUS IMPROVEMENT AND RESERVES THE RIGHT TO CHANGE DESIGNS AND SPECIFICATIONS WITHOUT NOTICE.
 THIS DRAWING IS CONFIDENTIAL AND MUST NOT BE COPIED, REPRODUCED OR USED FOR ANY PURPOSE WITHOUT THE WRITTEN CONSENT OF LEWCO, INC. ALL RIGHTS RESERVED.

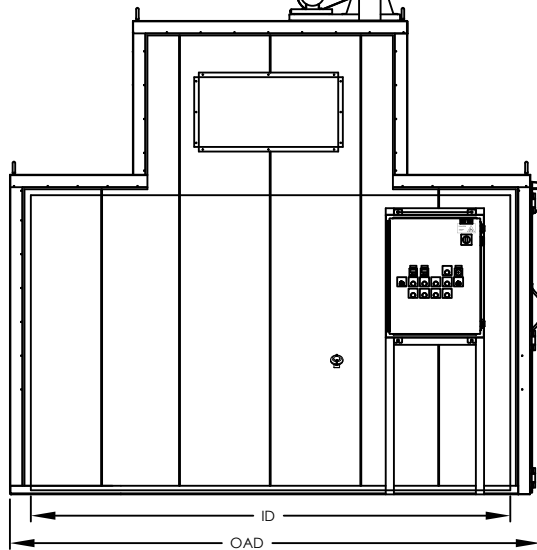
DATE 4/25/2014
 REV 001
 PAGE 1 OF 2





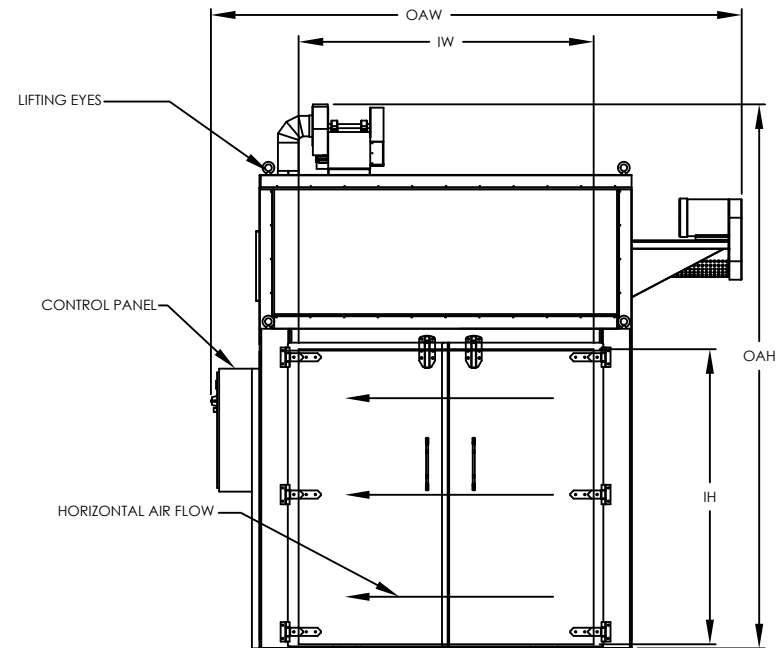
EXHAUST STACK
BY OWNER

EXHAUST FAN
OPTIONAL ON
ELECTRIC OVEN



| MODEL | WORKSPACE DIMENSIONS | | | | OVERALL DIMENSIONS | | |
|-------------------|----------------------|------|------|------|--------------------|------|------|
| | IW | ID | IH | DS | OAW | OAD | OAH |
| | (in) | (in) | (in) | (in) | (in) | (in) | (in) |
| SWT03EH-48-48-96 | 48 | 48 | 96 | 34 | 78 | 60 | 159 |
| SWT03EH-48-96-96 | 48 | 96 | 96 | 34 | 82 | 108 | 160 |
| SWT03EH-60-60-96 | 60 | 60 | 96 | 40 | 94 | 72 | 159 |
| SWT03EH-60-72-96 | 60 | 72 | 96 | 40 | 94 | 84 | 160 |
| SWT03EH-60-96-96 | 60 | 96 | 96 | 40 | 96 | 108 | 165 |
| SWT03EH-72-72-96 | 72 | 72 | 96 | 46 | 108 | 84 | 160 |
| SWT03EH-72-96-96 | 72 | 96 | 96 | 46 | 110 | 108 | 167 |
| SWT03EH-72-120-96 | 72 | 120 | 96 | 46 | 112 | 132 | 169 |

SEE SHEET 1 FOR MORE SIZES



THE NATIONAL FIRE PROTECTION ASSOCIATION'S STANDARD NFPA 86 DOCUMENTS GUIDELINES FOR THE SAFE OPERATION OF OVENS AND FURNACES. THIS STANDARD DEFINES AN OVEN OCCASIONED BY THE PRESENCE OF FLAMMABLE VOLATILES OR COMBUSTIBLE MATERIAL AS "CLASS A" AND FURTHER MANDATES SPECIFIC SAFETY EQUIPMENT ON THESE OVENS TO REDUCE THE RISK OF FIRE OR EXPLOSION. SIMILARLY, OVENS OR FURNACES WHEREIN NO FLAMMABLE VOLATILES OR COMBUSTIBLE MATERIALS ARE PRESENT ARE CONSIDERED "CLASS B". IT IS IMPERATIVE THAT THE USER OF HEAT PROCESSING EQUIPMENT BE KNOWLEDGEABLE REGARDING APPLICATION OF THE EQUIPMENT.

MODEL: SWT03EH
 DESCRIPTION: Standard Walk-In Oven, Top Heater, 350 F, Electric, Horizontal Air Flow
 DRAWING: SWT03EH SALES

LEWCO, INC. IS COMMITTED TO CONTINUOUS IMPROVEMENT AND RESERVES THE RIGHT TO CHANGE DESIGNS AND SPECIFICATIONS WITHOUT NOTICE.
 THIS DRAWING IS CONFIDENTIAL AND MUST NOT BE COPIED, REPRODUCED OR USED FOR ANY PURPOSE WITHOUT THE WRITTEN CONSENT OF LEWCO, INC. ALL RIGHTS RESERVED.

DATE 4/28/2014
 REV 001
 PAGE 2 OF 2

