

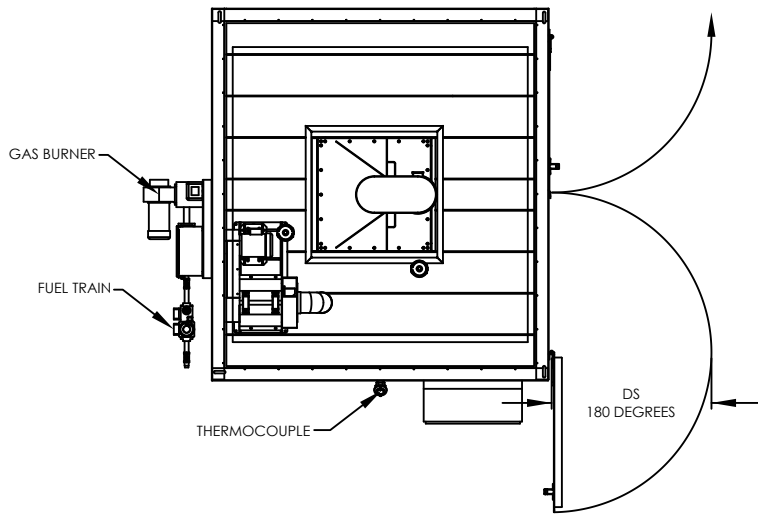


**Enhanced Walk-In Oven, Top Heater, 650 F, Fuel Fired, Dual Air Flow
NFPA Class B**

Model	Workspace Dimensions			Heat Input	Circulating Blower (CFM)	Exhaust (ACFM)	Ships
	"W	"D	"H				
EWT06FD-48-48-60*	48	48	60*	200,000 BTUH	2000	100	Fully Assembled
EWT06FD-48-48-72*	48	48	72*	200,000 BTUH	2500	100	Fully Assembled
EWT06FD-48-48-96*	48	48	96*	200,000 BTUH	3500	100	Fully Assembled
EWT06FD-60-60-60*	60	60	60*	200,000 BTUH	3500	100	Fully Assembled
EWT06FD-60-60-72*	60	60	72*	200,000 BTUH	4000	100	Fully Assembled
EWT06FD-60-60-96*	60	60	96*	400,000 BTUH	5000	250	Fully Assembled
EWT06FD-72-72-72*	72	72	72*	400,000 BTUH	5500	100	Fully Assembled
EWT06FD-72-120-96	72	120	96	400,000 BTUH	12000	250	Field Assembly Required
EWT06FD-96-96-96	96	96	96	700,000 BTUH	14000	250	Field Assembly Required
EWT06FD-96-120-96	96	120	96	700,000 BTUH	16000	250	Field Assembly Required
EWT06FD-96-144-96	96	144	96	700,000 BTUH	20000	250	Field Assembly Required

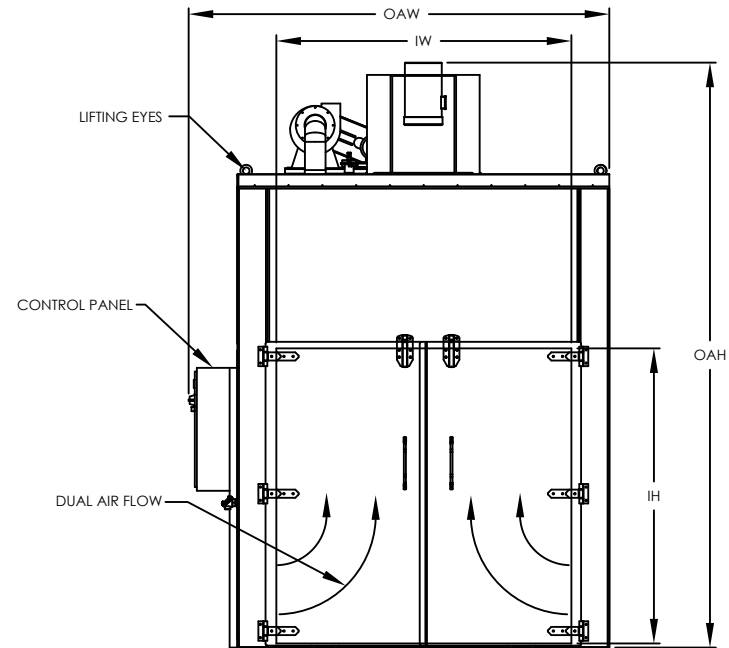
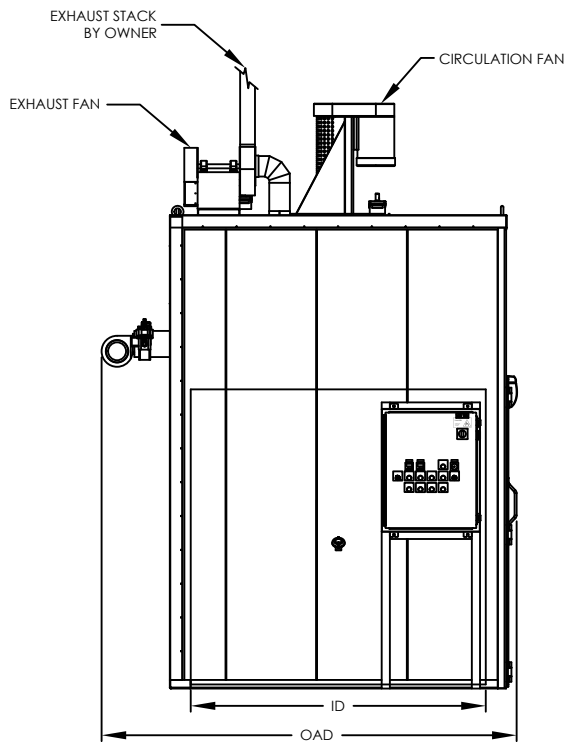
**Enhanced Walk-In Oven, Top Heater, 650 F, Fuel Fired, Dual Air Flow
NFPA Class A**

Model	Workspace Dimensions			Heat Input	Circulating Blower (CFM)	Exhaust (ACFM)	Max. Solvent (Gals. / Batch)	Ships
	"W	"D	"H					
EWT06FD-48-48-60*	48	48	60*	200,000 BTUH	2000	100	0	Fully Assembled
EWT06FD-48-48-72*	48	48	72*	200,000 BTUH	2500	250	0.14	Fully Assembled
EWT06FD-48-48-96*	48	48	96*	400,000 BTUH	3500	250	0.14	Fully Assembled
EWT06FD-60-60-60*	60	60	60*	200,000 BTUH	3500	250	0.14	Fully Assembled
EWT06FD-60-60-72*	60	60	72*	400,000 BTUH	4000	250	0.14	Fully Assembled
EWT06FD-60-60-96*	60	60	96*	400,000 BTUH	5000	500	0.28	Fully Assembled
EWT06FD-72-72-72*	72	72	72*	400,000 BTUH	5500	250	0.14	Fully Assembled
EWT06FD-72-120-96	72	120	96	400,000 BTUH	12000	500	0.28	Field Assembly Required
EWT06FD-96-96-96	96	96	96	700,000 BTUH	14000	500	0.28	Field Assembly Required
EWT06FD-96-120-96	96	120	96	700,000 BTUH	16000	500	0.28	Field Assembly Required
EWT06FD-96-144-96	96	144	96	700,000 BTUH	20000	500	0.28	Field Assembly Required



MODEL	WORKSPACE DIMENSIONS				OVERALL DIMENSIONS		
	IW (in)	ID (in)	IH (in)	DS (in)	OAW (in)	OAD (in)	OAH (in)
EWT06FD-48-48-60	48	48	60	34	79	60	91
EWT06FD-48-48-72	48	48	72	34	79	60	103
EWT06FD-48-48-96	48	48	96	40	79	60	132
EWT06FD-60-60-60	60	60	60	40	91	72	96
EWT06FD-60-60-72	60	60	72	40	91	72	114
EWT06FD-60-60-96	60	60	96	46	91	72	138
EWT06FD-72-72-72	72	72	72	46	103	84	121

SEE SHEET 2 FOR MORE SIZES



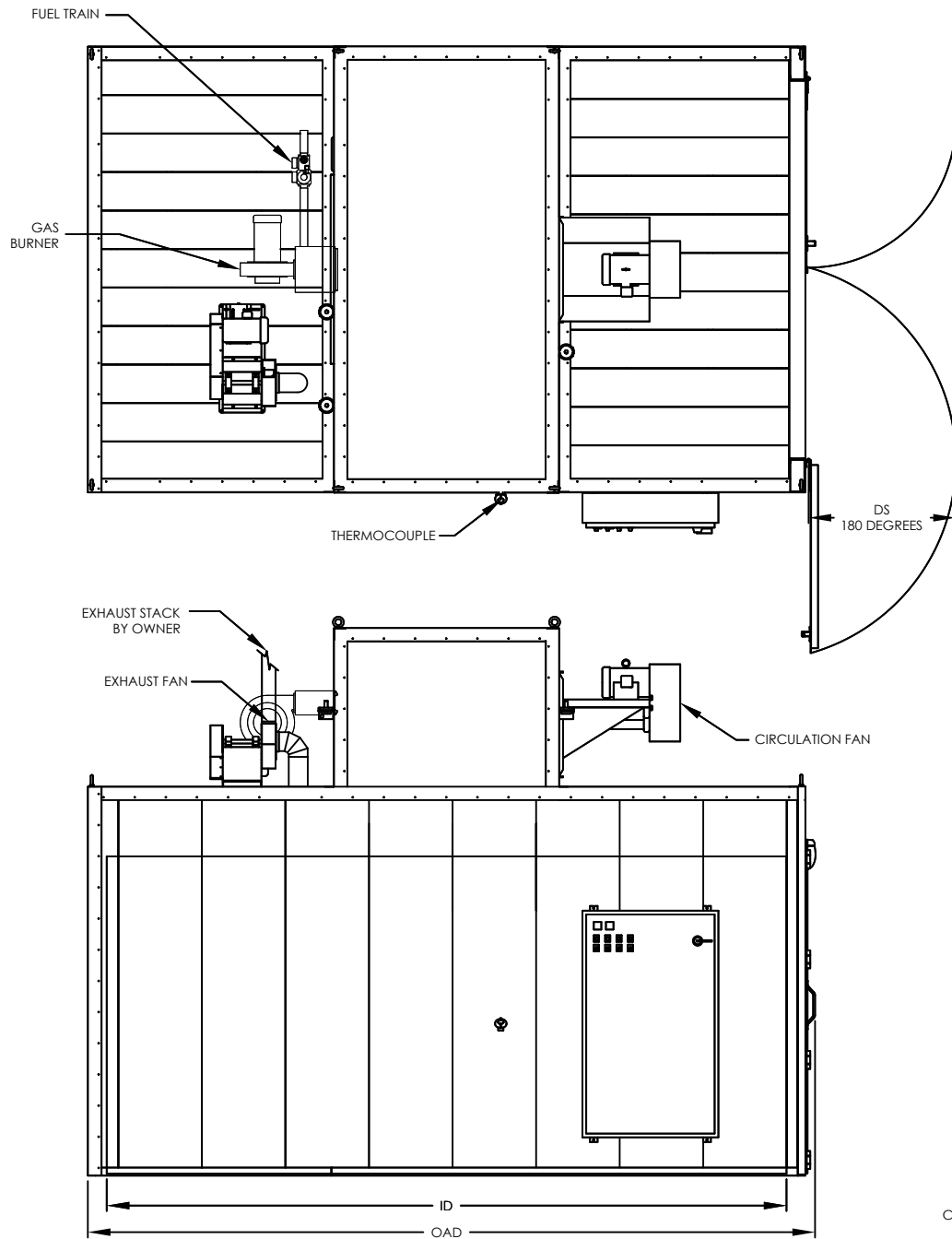
THE NATIONAL FIRE PROTECTION ASSOCIATION'S STANDARD NFPA 86 DOCUMENTS GUIDELINES FOR THE SAFE OPERATION OF OVENS AND FURNACES. THIS STANDARD DEFINES AN OVEN OCCASIONED BY THE PRESENCE OF FLAMMABLE VOLATILES OR COMBUSTIBLE MATERIAL AS "CLASS A" AND FURTHER MANDATES SPECIFIC SAFETY EQUIPMENT ON THESE OVENS TO REDUCE THE RISK OF FIRE OR EXPLOSION. SIMILARLY, OVENS OR FURNACES WHEREIN NO FLAMMABLE VOLATILES OR COMBUSTIBLE MATERIALS ARE PRESENT ARE CONSIDERED "CLASS B". IT IS IMPERATIVE THAT THE USER OF HEAT PROCESSING EQUIPMENT BE KNOWLEDGEABLE REGARDING APPLICATION OF THE EQUIPMENT.

MODEL: EWT06FD
 DESCRIPTION: Enhanced Walk-In Oven, Top Heater, 650 F, Gas, Dual Air Flow
 DRAWING: EWT06FD SALES

LEWCO, INC. IS COMMITTED TO CONTINUOUS IMPROVEMENT AND RESERVES THE RIGHT TO CHANGE DESIGNS AND SPECIFICATIONS WITHOUT NOTICE.
 THIS DRAWING IS CONFIDENTIAL AND MUST NOT BE COPIED, REPRODUCED OR USED FOR ANY PURPOSE WITHOUT THE WRITTEN CONSENT OF LEWCO, INC. ALL RIGHTS RESERVED.

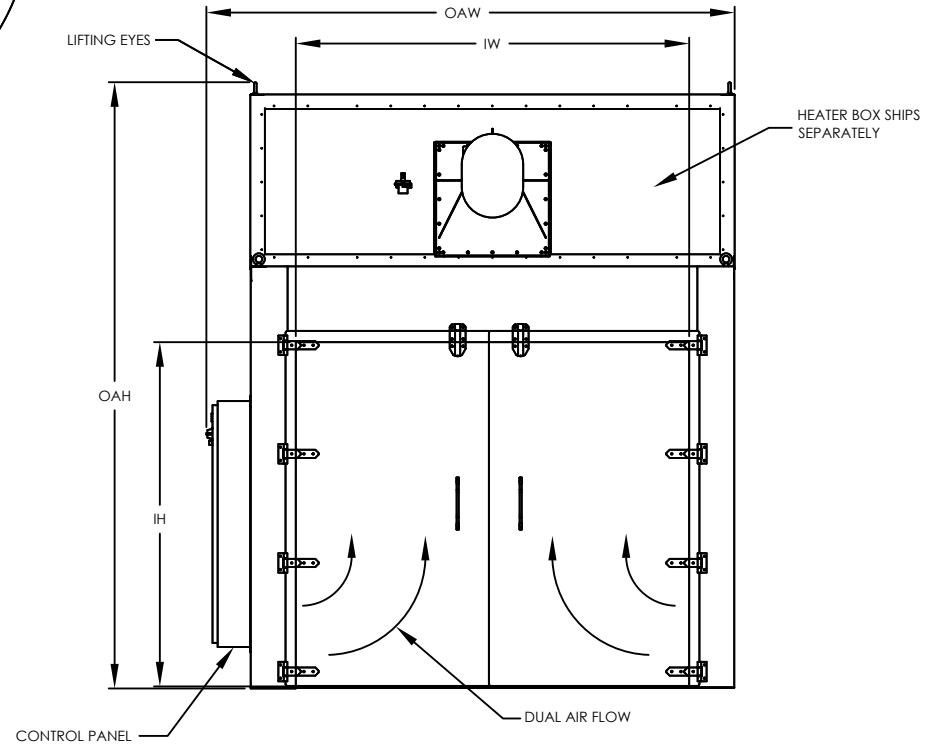
DATE 4/30/2014
 REV 001
 PAGE 1 OF 3





MODEL	WORKSPACE DIMENSIONS				OVERALL DIMENSIONS		
	IW (in)	ID (in)	IH (in)	DS (in)	OAW (in)	OAD (in)	OAH (in)
EWT06FD-72-120-96	72	120	96	46	115	132	172
EWT06FD-96-96-96	96	96	96	58	141	108	173
EWT06FD-96-120-96	96	120	96	58	145	132	172
EWT06FD-96-144-96	96	144	96	58	151	156	173
EWT06FD-96-168-96	96	168	96	58	155	180	178
EWT06FD-96-192-96	96	192	96	58	155	204	185

SEE SHEET 3 FOR MORE SIZES



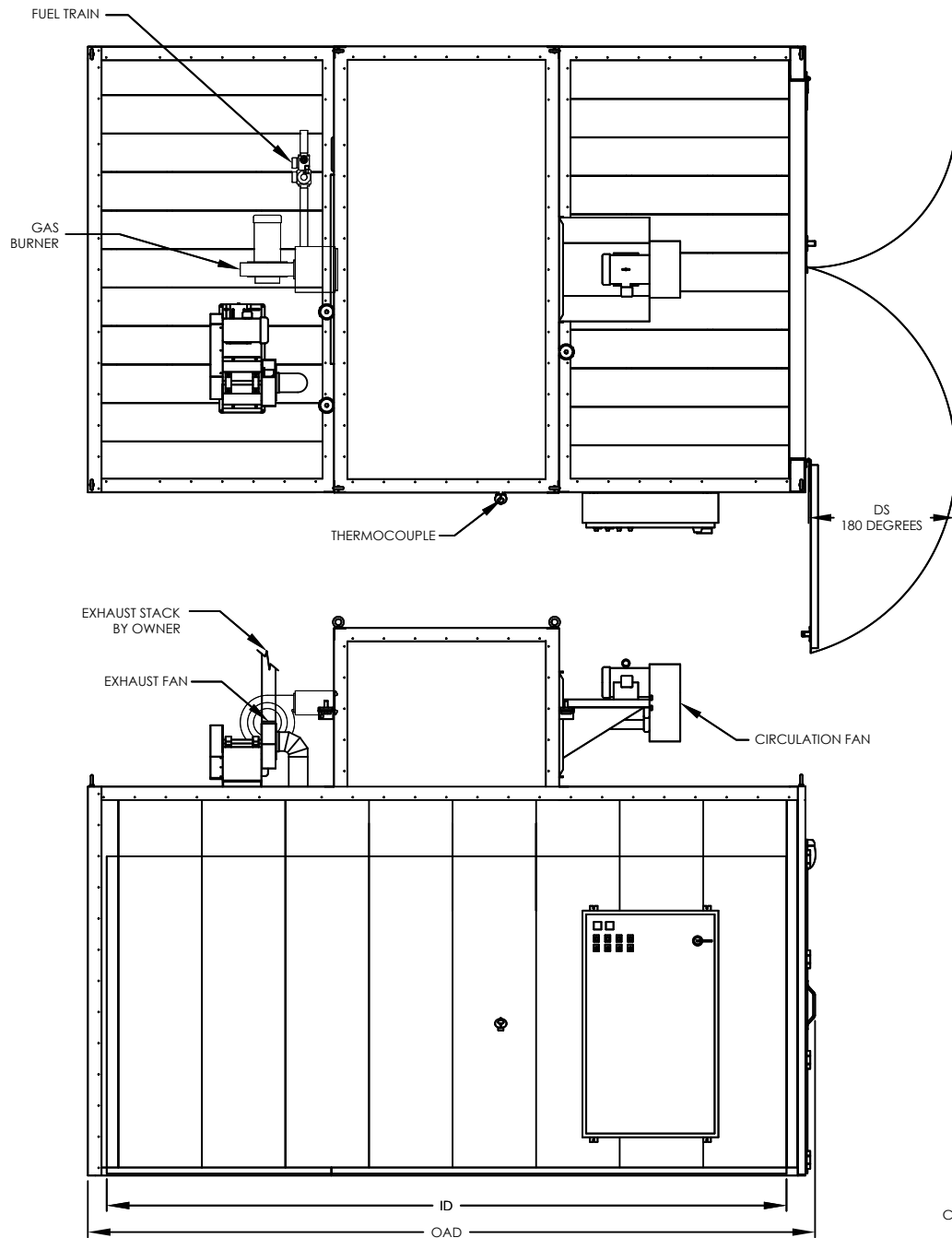
THE NATIONAL FIRE PROTECTION ASSOCIATION'S STANDARD NFPA 86 DOCUMENTS GUIDELINES FOR THE SAFE OPERATION OF OVENS AND FURNACES. THIS STANDARD DEFINES AN OVEN OCCASIONED BY THE PRESENCE OF FLAMMABLE VOLATILES OR COMBUSTIBLE MATERIAL AS "CLASS A" AND FURTHER MANDATES SPECIFIC SAFETY EQUIPMENT ON THESE OVENS TO REDUCE THE RISK OF FIRE OR EXPLOSION. SIMILARLY, OVENS OR FURNACES WHEREIN NO FLAMMABLE VOLATILES OR COMBUSTIBLE MATERIALS ARE PRESENT ARE CONSIDERED "CLASS B". IT IS IMPERATIVE THAT THE USER OF HEAT PROCESSING EQUIPMENT BE KNOWLEDGEABLE REGARDING APPLICATION OF THE EQUIPMENT.

MODEL: EWT06FD
 DESCRIPTION: Enhanced Walk-In Oven, Top Heater, 650 F, Gas, Dual Air Flow
 DRAWING: EWT06FD SALES

LEWCO, INC. IS COMMITTED TO CONTINUOUS IMPROVEMENT AND RESERVES THE RIGHT TO CHANGE DESIGNS AND SPECIFICATIONS WITHOUT NOTICE.
 THIS DRAWING IS CONFIDENTIAL AND MUST NOT BE COPIED, REPRODUCED OR USED FOR ANY PURPOSE WITHOUT THE WRITTEN CONSENT OF LEWCO, INC. ALL RIGHTS RESERVED.

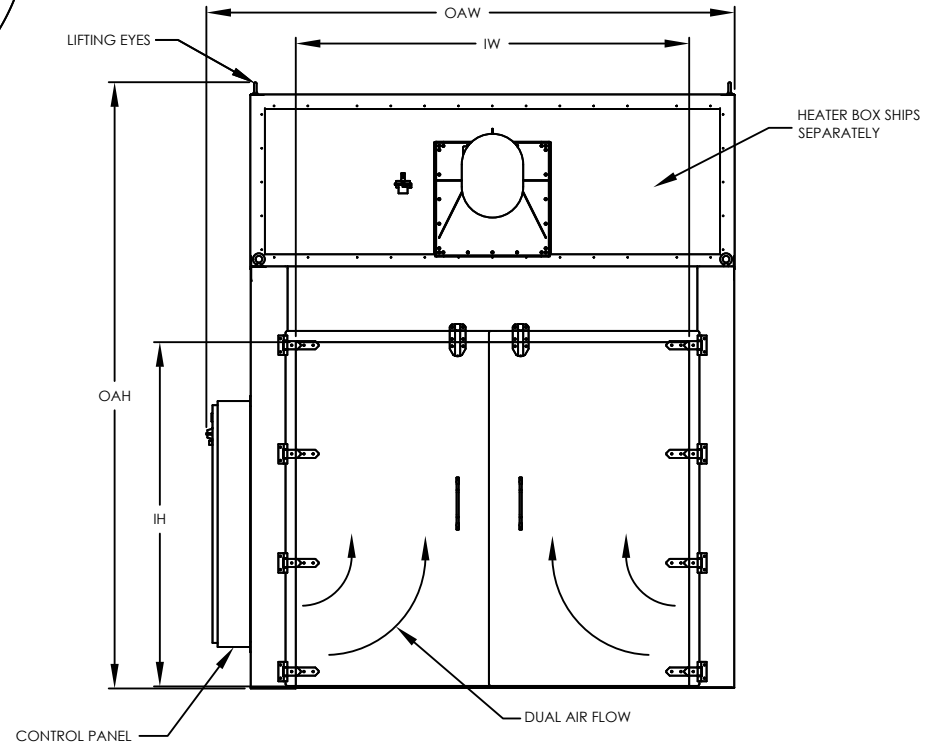
DATE 4/30/2014
 REV 001
 PAGE 2 OF 3





MODEL	WORKSPACE DIMENSIONS				OVERALL DIMENSIONS		
	IW (in)	ID (in)	IH (in)	DS (in)	OAW (in)	OAD (in)	OAH (in)
EWT06FD-120-120-96	120	120	96	70	183	132	174
EWT06FD-120-144-96	120	144	96	70	177	156	178
EWT06FD-120-168-96	120	168	96	70	177	180	185
EWT06FD-120-120-120	120	120	120	70	175	132	209
EWT06FD-120-144-120	120	144	120	70	179	156	209

SEE SHEET 1 FOR MORE SIZES



THE NATIONAL FIRE PROTECTION ASSOCIATION'S STANDARD NFPA 86 DOCUMENTS GUIDELINES FOR THE SAFE OPERATION OF OVENS AND FURNACES. THIS STANDARD DEFINES AN OVEN OCCASIONED BY THE PRESENCE OF FLAMMABLE VOLATILES OR COMBUSTIBLE MATERIAL AS "CLASS A" AND FURTHER MANDATES SPECIFIC SAFETY EQUIPMENT ON THESE OVENS TO REDUCE THE RISK OF FIRE OR EXPLOSION. SIMILARLY, OVENS OR FURNACES WHEREIN NO FLAMMABLE VOLATILES OR COMBUSTIBLE MATERIALS ARE PRESENT ARE CONSIDERED "CLASS B". IT IS IMPERATIVE THAT THE USER OF HEAT PROCESSING EQUIPMENT BE KNOWLEDGEABLE REGARDING APPLICATION OF THE EQUIPMENT.

MODEL: EWT06FD
 DESCRIPTION: Enhanced Walk-In Oven, Top Heater, 650 F, Gas, Dual Air Flow
 DRAWING: EWT06FD SALES

LEWCO, INC. IS COMMITTED TO CONTINUOUS IMPROVEMENT AND RESERVES THE RIGHT TO CHANGE DESIGNS AND SPECIFICATIONS WITHOUT NOTICE.
 THIS DRAWING IS CONFIDENTIAL AND MUST NOT BE COPIED, REPRODUCED OR USED FOR ANY PURPOSE WITHOUT THE WRITTEN CONSENT OF LEWCO, INC. ALL RIGHTS RESERVED.

DATE 4/30/2014
 REV 001
 PAGE 3 OF 3

