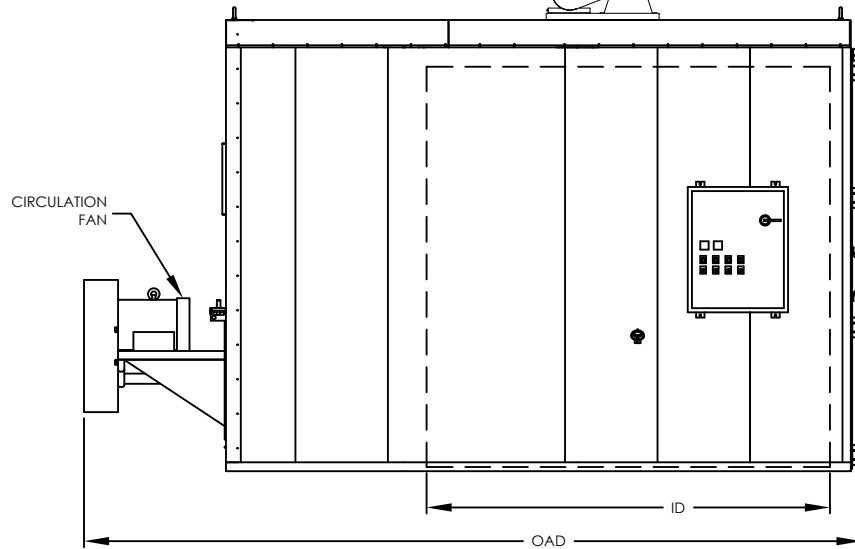
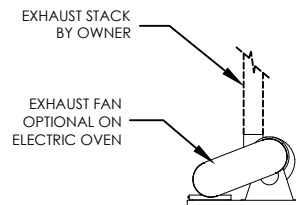
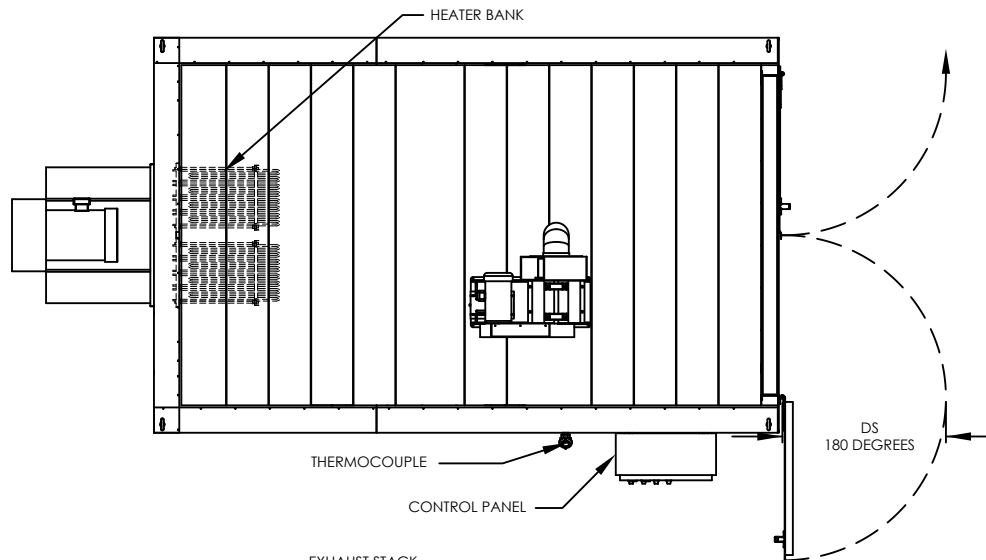


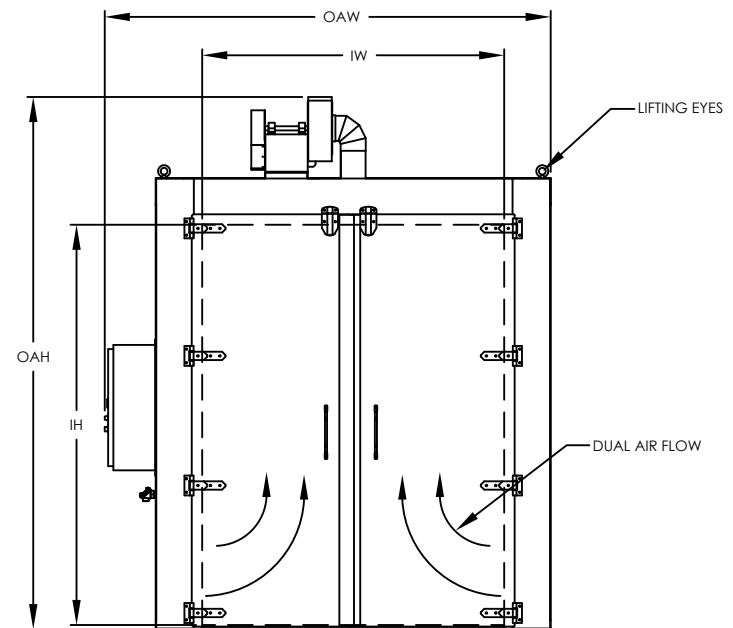


**Enhanced Walk-In Oven, Rear Heater, 1200 F, Electric, Dual Air Flow
NFPA Class B**

Model	Workspace Dimensions			Heat Input	Circulating Blower (CFM)	Ships
	"W	"D	"H			
EWR12ED-48-48-60	48	48	60	72	3500	Fully Assembled
EWR12ED-48-48-72	48	48	72	81	4000	Fully Assembled
EWR12ED-48-48-96	48	48	96	90	5000	Fully Assembled
EWR12ED-48-72-72	48	72	72	90	5500	Fully Assembled
EWR12ED-48-72-96	48	72	96	108	8000	Fully Assembled
EWR12ED-48-96-72	48	96	72	108	8000	Fully Assembled
EWR12ED-48-96-96	48	96	96	153	10000	Fully Assembled
EWR12ED-60-60-60	60	60	60	90	5000	Fully Assembled
EWR12ED-60-60-72	60	60	72	99	6000	Fully Assembled
EWR12ED-60-60-96	60	60	96	117	8000	Fully Assembled
EWR12ED-60-72-72	60	72	72	108	7000	Fully Assembled
EWR12ED-60-72-96	60	72	96	144	10000	Fully Assembled
EWR12ED-60-96-96	60	96	96	162	14000	Fully Assembled
EWR12ED-72-72-72	72	72	72	117	9000	Fully Assembled
EWR12ED-72-72-96	72	72	96	153	12000	Fully Assembled
EWR12ED-72-96-96	72	96	96	180	16000	Fully Assembled



MODEL	WORKSPACE DIMENSIONS				OVERALL DIMENSIONS		
	IW	ID	IH	DS	OAW	OAD	OAH
	(in)	(in)	(in)	(in)	(in)	(in)	(in)
EWR12ED-48-48-60	48	48	60	34	82	109	76
EWR12ED-48-48-72	48	48	72	34	82	113	88
EWR12ED-48-48-96	48	48	96	34	82	119	112
EWR12ED-48-72-72	48	72	72	34	82	147	88
EWR12ED-48-72-96	48	72	96	34	82	153	112
EWR12ED-48-96-72	48	96	72	34	82	177	88
EWR12ED-48-96-96	48	96	96	34	82	177	114
EWR12ED-60-60-60	60	60	60	40	94	131	76
EWR12ED-60-60-72	60	60	72	40	94	135	88
EWR12ED-60-60-96	60	60	96	40	94	141	112
EWR12ED-60-72-72	60	72	72	40	94	153	88
EWR12ED-60-72-96	60	72	96	40	94	153	112
EWR12ED-60-96-96	60	96	96	40	94	184	114
EWR12ED-72-72-72	72	72	72	46	106	153	88
EWR12ED-72-72-96	72	72	96	46	106	153	112
EWR12ED-72-96-96	72	96	96	46	108	189	114



THE NATIONAL FIRE PROTECTION ASSOCIATION'S STANDARD NFPA 86 DOCUMENTS GUIDELINES FOR THE SAFE OPERATION OF OVENS AND FURNACES. THIS STANDARD DEFINES AN OVEN OCCASIONED BY THE PRESENCE OF FLAMMABLE VOLATILES OR COMBUSTIBLE MATERIAL AS "CLASS A" AND FURTHER MANDATES SPECIFIC SAFETY EQUIPMENT ON THESE OVENS TO REDUCE THE RISK OF FIRE OR EXPLOSION. SIMILARLY, OVENS OR FURNACES WHEREIN NO FLAMMABLE VOLATILES OR COMBUSTIBLE MATERIALS ARE PRESENT ARE CONSIDERED "CLASS B". IT IS IMPERATIVE THAT THE USER OF HEAT PROCESSING EQUIPMENT BE KNOWLEDGEABLE REGARDING APPLICATION OF THE EQUIPMENT.

MODEL: EWR12ED
 DESCRIPTION: Enhanced Walk-In Oven, Rear Heater, 1200 F, Electric, Dual Air Flow
 DRAWING: EWR12ED SALES

LEWCO, INC. IS COMMITTED TO CONTINUOUS IMPROVEMENT AND RESERVES THE RIGHT TO CHANGE DESIGNS AND SPECIFICATIONS WITHOUT NOTICE.
 THIS DRAWING IS CONFIDENTIAL AND MUST NOT BE COPIED, REPRODUCED OR USED FOR ANY PURPOSE WITHOUT THE WRITTEN CONSENT OF LEWCO, INC. ALL RIGHTS RESERVED

DATE 4/30/2014
 REV 001
 PAGE 1 OF 1

