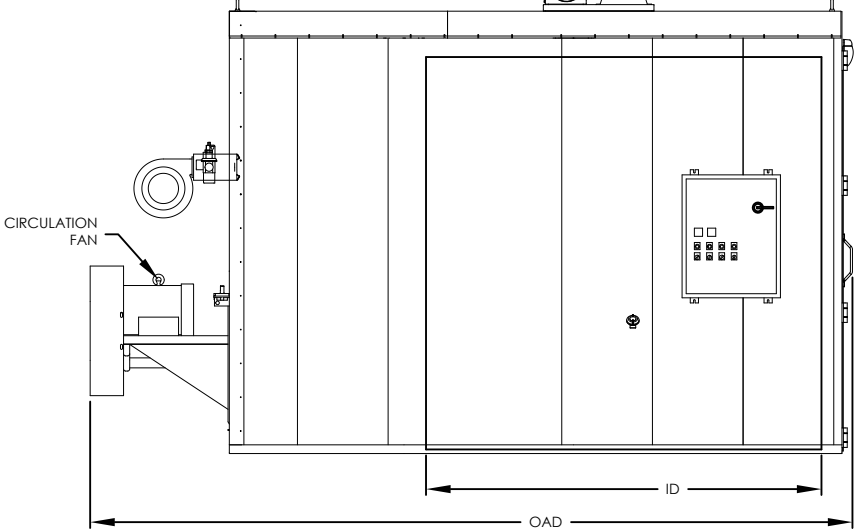
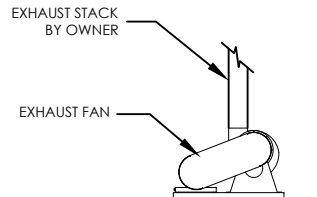
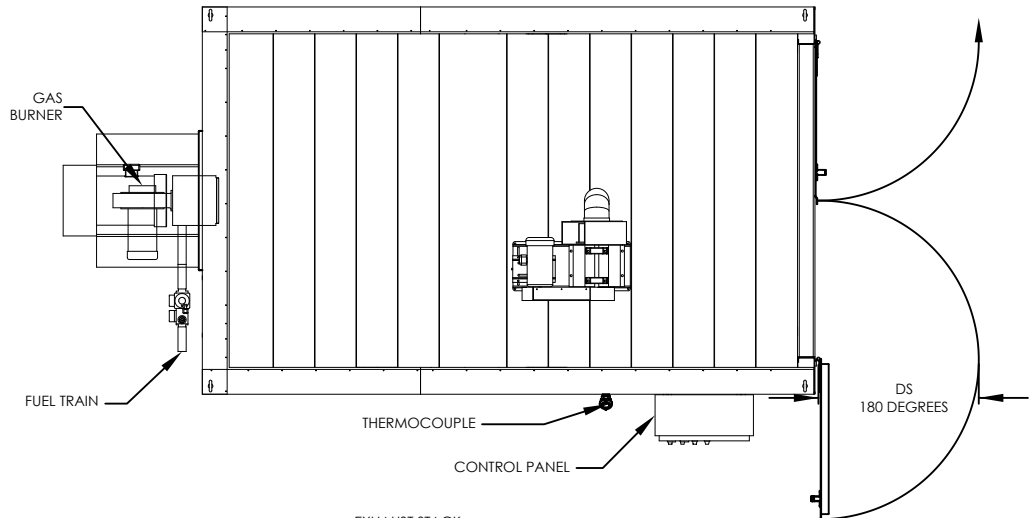


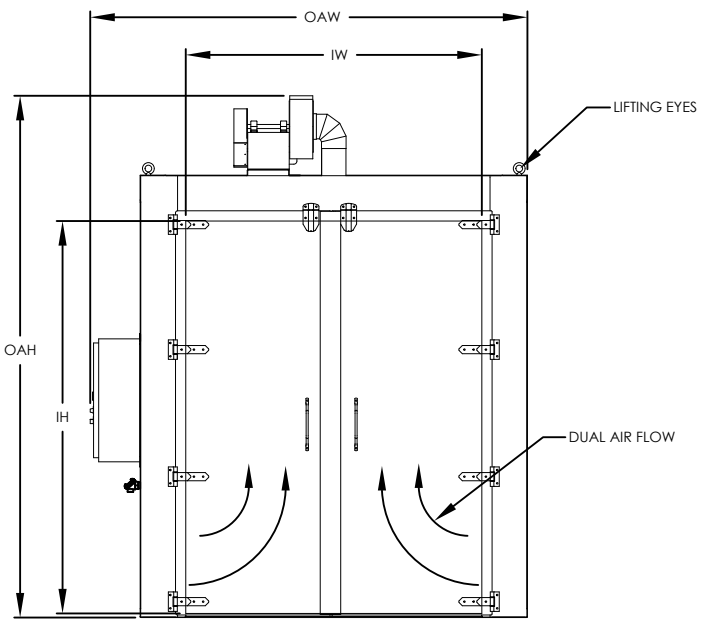


**Enhanced Walk-In Oven, Rear Heater, 1000 F, Fuel Fired, Dual Air Flow  
NFPA Class B**

Model	Workspace Dimensions			Heat Input	Circulating Blower (CFM)	Exhaust (ACFM)	Ships
	"W	"D	"H				
EWR10FD-48-48-60	48	- 48	- 60	400,000 BTUH	2500	500	Fully Assembled
EWR10FD-48-48-72	48	- 48	- 72	400,000 BTUH	3000	500	Fully Assembled
EWR10FD-48-48-96	48	- 48	- 96	400,000 BTUH	4000	500	Fully Assembled
EWR10FD-48-72-72	48	- 72	- 72	700,000 BTUH	4500	500	Fully Assembled
EWR10FD-48-72-96	48	- 72	- 96	700,000 BTUH	5500	500	Fully Assembled
EWR10FD-48-96-72	48	- 96	- 72	700,000 BTUH	5500	500	Fully Assembled
EWR10FD-48-96-96	48	- 96	- 96	700,000 BTUH	8000	500	Fully Assembled
EWR10FD-60-60-60	60	- 60	- 60	400,000 BTUH	3500	500	Fully Assembled
EWR10FD-60-60-72	60	- 60	- 72	700,000 BTUH	4500	500	Fully Assembled
EWR10FD-60-60-96	60	- 60	- 96	700,000 BTUH	6000	500	Fully Assembled
EWR10FD-60-72-72	60	- 72	- 72	700,000 BTUH	5500	500	Fully Assembled
EWR10FD-60-72-96	60	- 72	- 96	700,000 BTUH	7000	500	Fully Assembled
EWR10FD-60-96-96	60	- 96	- 96	700,000 BTUH	9000	500	Fully Assembled
EWR10FD-72-72-72	72	- 72	- 72	700,000 BTUH	7000	500	Fully Assembled
EWR10FD-72-72-96	72	- 72	- 96	700,000 BTUH	9000	500	Fully Assembled
EWR10FD-72-96-96	72	- 96	- 96	700,000 BTUH	12000	500	Fully Assembled



MODEL	WORKSPACE DIMENSIONS				OVERALL DIMENSIONS		
	IW (in)	ID (in)	IH (in)	DS (in)	OAW (in)	OAD (in)	OAH (in)
EWR10FD-48-48-60	48	48	60	34	80	107	101
EWR10FD-48-48-72	48	48	72	34	80	111	113
EWR10FD-48-48-96	48	48	96	34	80	117	137
EWR10FD-48-72-72	48	72	72	34	80	145	113
EWR10FD-48-72-96	48	72	96	34	80	151	137
EWR10FD-48-96-72	48	96	72	34	80	175	113
EWR10FD-48-96-96	48	96	96	34	80	175	139
EWR10FD-60-60-60	60	60	60	40	92	129	101
EWR10FD-60-60-72	60	60	72	40	92	133	113
EWR10FD-60-60-96	60	60	96	40	92	139	137
EWR10FD-60-72-72	60	72	72	40	92	151	113
EWR10FD-60-72-96	60	72	96	40	92	151	137
EWR10FD-60-96-96	60	96	96	40	92	182	139
EWR10FD-72-72-72	72	72	72	46	104	151	113
EWR10FD-72-72-96	72	72	96	46	104	151	137
EWR10FD-72-96-96	72	96	96	46	106	187	139



THE NATIONAL FIRE PROTECTION ASSOCIATION'S STANDARD NFPA 86 DOCUMENTS GUIDELINES FOR THE SAFE OPERATION OF OVENS AND FURNACES. THIS STANDARD DEFINES AN OVEN OCCASIONED BY THE PRESENCE OF FLAMMABLE VOLATILES OR COMBUSTIBLE MATERIAL AS "CLASS A" AND FURTHER MANDATES SPECIFIC SAFETY EQUIPMENT ON THESE OVENS TO REDUCE THE RISK OF FIRE OR EXPLOSION. SIMILARLY, OVENS OR FURNACES WHEREIN NO FLAMMABLE VOLATILES OR COMBUSTIBLE MATERIALS ARE PRESENT ARE CONSIDERED "CLASS B". IT IS IMPERATIVE THAT THE USER OF HEAT PROCESSING EQUIPMENT BE KNOWLEDGEABLE REGARDING APPLICATION OF THE EQUIPMENT.

MODEL: EWR10FD  
 DESCRIPTION: Enhanced Walk-In Oven, Rear Heater, 1000 F, Gas, Dual Air Flow  
 DRAWING: EWR10FD SALES

LEWCO, INC. IS COMMITTED TO CONTINUOUS IMPROVEMENT AND RESERVES THE RIGHT TO CHANGE DESIGNS AND SPECIFICATIONS WITHOUT NOTICE.  
 THIS DRAWING IS CONFIDENTIAL AND MUST NOT BE COPIED, REPRODUCED OR USED FOR ANY PURPOSE WITHOUT THE WRITTEN CONSENT OF LEWCO, INC. ALL RIGHTS RESERVED.

DATE 4/30/2014  
 REV 001  
 PAGE 1 OF 1

