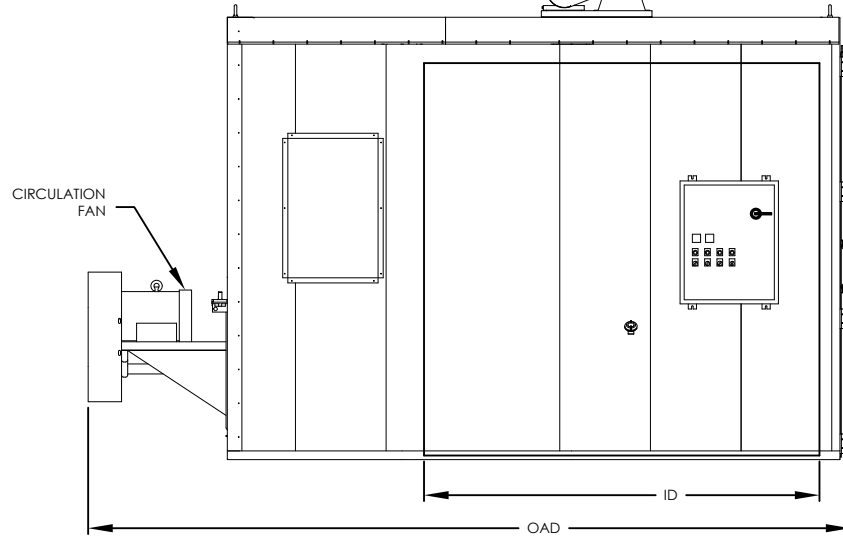
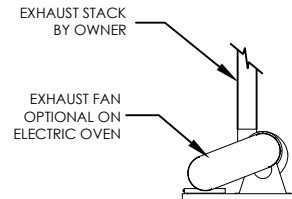
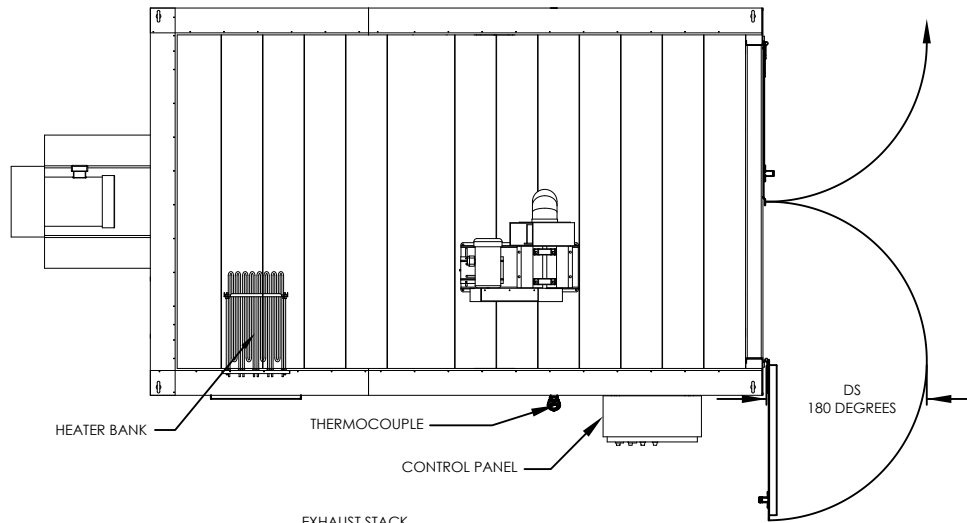


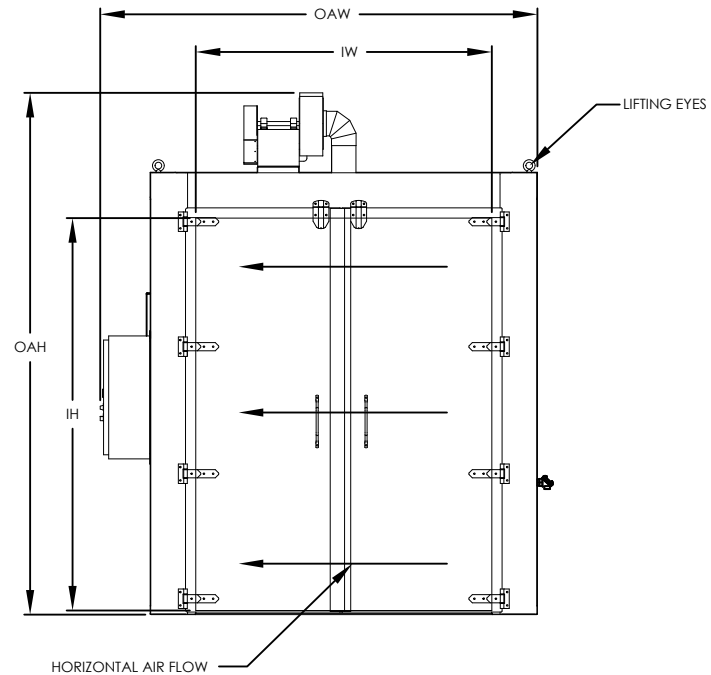


**Enhanced Walk-In Oven, Rear Heater, 1000 F, Electric, Horizontal Air Flow
NFPA Class B**

Model	Workspace Dimensions			Heat Input	Circulating Blower (CFM)	Ships
	"W	"D	"H			
EWR10EH-48-48-60	48	48	60	63	2500	Fully Assembled
EWR10EH-48-48-72	48	48	72	72	3000	Fully Assembled
EWR10EH-48-48-96	48	48	96	81	4000	Fully Assembled
EWR10EH-48-72-72	48	72	72	81	4500	Fully Assembled
EWR10EH-48-72-96	48	72	96	99	5500	Fully Assembled
EWR10EH-48-96-72	48	96	72	99	5500	Fully Assembled
EWR10EH-48-96-96	48	96	96	117	8000	Fully Assembled
EWR10EH-60-60-60	60	60	60	72	3500	Fully Assembled
EWR10EH-60-60-72	60	60	72	81	4500	Fully Assembled
EWR10EH-60-60-96	60	60	96	99	6000	Fully Assembled
EWR10EH-60-72-72	60	72	72	90	5500	Fully Assembled
EWR10EH-60-72-96	60	72	96	108	7000	Fully Assembled
EWR10EH-60-96-96	60	96	96	144	9000	Fully Assembled
EWR10EH-72-72-72	72	72	72	99	7000	Fully Assembled
EWR10EH-72-72-96	72	72	96	117	9000	Fully Assembled
EWR10EH-72-96-96	72	96	96	153	12000	Fully Assembled



MODEL	WORKSPACE DIMENSIONS				OVERALL DIMENSIONS		
	IW (in)	ID (in)	IH (in)	DS (in)	OAW (in)	OAD (in)	OAH (in)
EWR10EH-48-48-60	48	48	60	34	80	107	71
EWR10EH-48-48-72	48	48	72	34	80	111	83
EWR10EH-48-48-96	48	48	96	34	80	117	107
EWR10EH-48-72-72	48	72	72	34	80	145	83
EWR10EH-48-72-96	48	72	96	34	80	151	107
EWR10EH-48-96-72	48	96	72	34	80	175	83
EWR10EH-48-96-96	48	96	96	34	80	175	107
EWR10EH-60-60-60	60	60	60	40	92	129	71
EWR10EH-60-60-72	60	60	72	40	92	133	83
EWR10EH-60-60-96	60	60	96	40	92	139	107
EWR10EH-60-72-72	60	72	72	40	92	151	83
EWR10EH-60-72-96	60	72	96	40	92	151	107
EWR10EH-60-96-96	60	96	96	40	92	182	107
EWR10EH-72-72-72	72	72	72	46	104	151	83
EWR10EH-72-72-96	72	72	96	46	104	151	107
EWR10EH-72-96-96	72	96	96	46	106	187	107



THE NATIONAL FIRE PROTECTION ASSOCIATION'S STANDARD NFPA 86 DOCUMENTS GUIDELINES FOR THE SAFE OPERATION OF OVENS AND FURNACES. THIS STANDARD DEFINES AN OVEN OCCASIONED BY THE PRESENCE OF FLAMMABLE VOLATILES OR COMBUSTIBLE MATERIAL AS "CLASS A" AND FURTHER MANDATES SPECIFIC SAFETY EQUIPMENT ON THESE OVENS TO REDUCE THE RISK OF FIRE OR EXPLOSION. SIMILARLY, OVENS OR FURNACES WHEREIN NO FLAMMABLE VOLATILES OR COMBUSTIBLE MATERIALS ARE PRESENT ARE CONSIDERED "CLASS B". IT IS IMPERATIVE THAT THE USER OF HEAT PROCESSING EQUIPMENT BE KNOWLEDGEABLE REGARDING APPLICATION OF THE EQUIPMENT.

MODEL: EWR10EH
 DESCRIPTION: Enhanced Walk-In Oven, Rear Heater, 1000 F, Electric, Horizontal Air Flow
 DRAWING: EWR10EH SALES

LEWCO, INC. IS COMMITTED TO CONTINUOUS IMPROVEMENT AND RESERVES THE RIGHT TO CHANGE DESIGNS AND SPECIFICATIONS WITHOUT NOTICE.
 THIS DRAWING IS CONFIDENTIAL AND MUST NOT BE COPIED, REPRODUCED OR USED FOR ANY PURPOSE WITHOUT THE WRITTEN CONSENT OF LEWCO, INC. ALL RIGHTS RESERVED.

DATE 4/30/2014
 REV 001
 PAGE 1 OF 1

