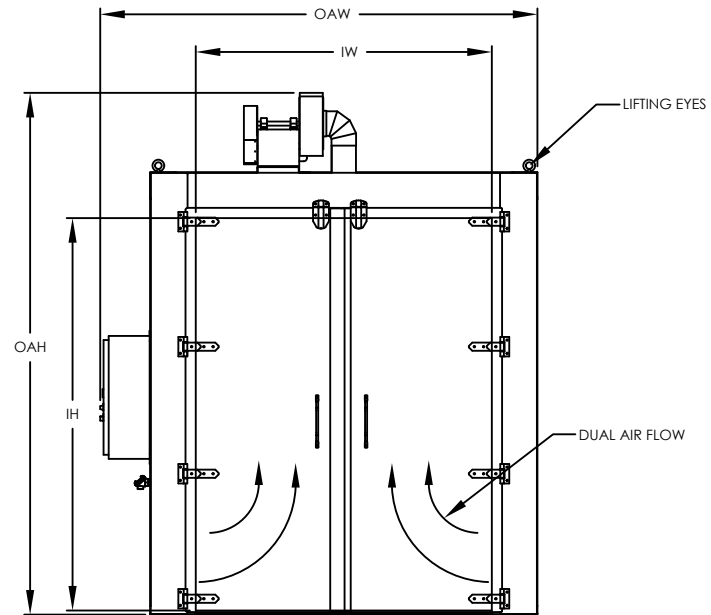
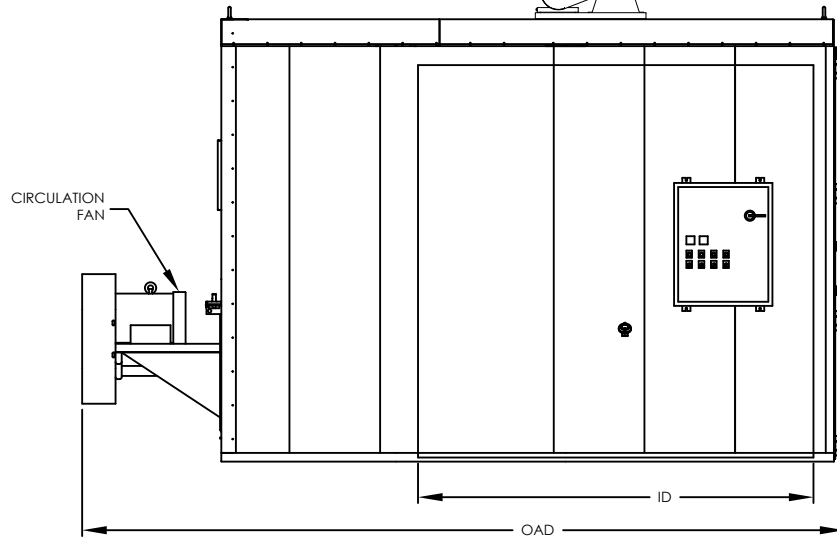
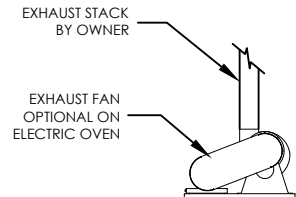
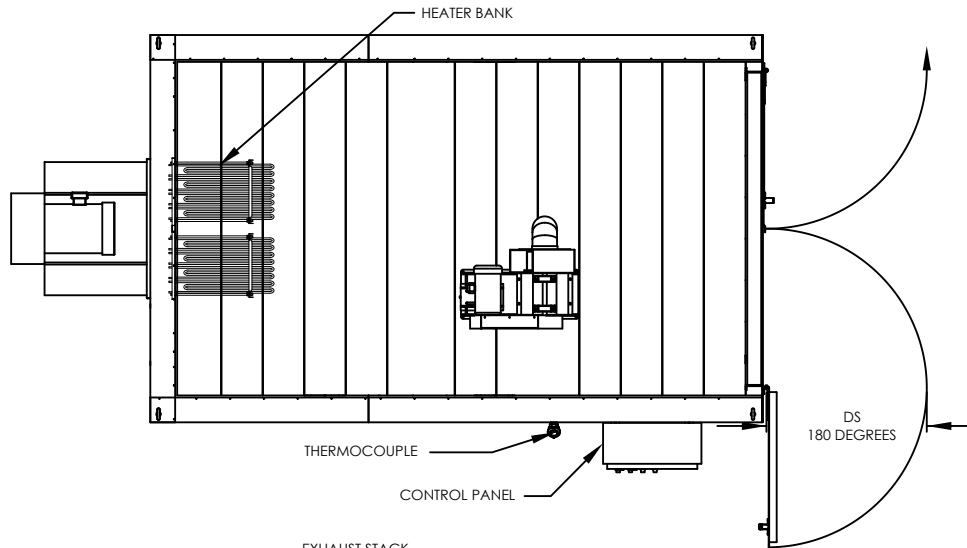




**Enhanced Walk-In Oven, Rear Heater, 1000 F, Electric, Dual Air Flow
NFPA Class B**

Model	Workspace Dimensions			Heat Input	Circulating Blower (CFM)	Ships
	"W	"D	"H			
EWR10ED-48-48-60	48	48	60	63	2500	Fully Assembled
EWR10ED-48-48-72	48	48	72	72	3000	Fully Assembled
EWR10ED-48-48-96	48	48	96	81	4000	Fully Assembled
EWR10ED-48-72-72	48	72	72	81	4500	Fully Assembled
EWR10ED-48-72-96	48	72	96	99	6000	Fully Assembled
EWR10ED-48-96-72	48	96	72	99	5500	Fully Assembled
EWR10ED-48-96-96	48	96	96	117	8000	Fully Assembled
EWR10ED-60-60-60	60	60	60	72	3500	Fully Assembled
EWR10ED-60-60-72	60	60	72	81	4500	Fully Assembled
EWR10ED-60-60-96	60	60	96	99	6000	Fully Assembled
EWR10ED-60-72-72	60	72	72	90	5500	Fully Assembled
EWR10ED-60-72-96	60	72	96	108	7000	Fully Assembled
EWR10ED-60-96-96	60	96	96	144	9000	Fully Assembled
EWR10ED-72-72-72	72	72	72	99	7000	Fully Assembled
EWR10ED-72-72-96	72	72	96	117	9000	Fully Assembled
EWR10ED-72-96-96	72	96	96	153	12000	Fully Assembled



MODEL	WORKSPACE DIMENSIONS				OVERALL DIMENSIONS		
	IW (in)	ID (in)	IH (in)	DS (in)	OAW (in)	OAD (in)	OAH (in)
EWR10ED-48-48-60	48	48	60	34	80	107	74
EWR10ED-48-48-72	48	48	72	34	80	111	86
EWR10ED-48-48-96	48	48	96	34	80	117	110
EWR10ED-48-72-72	48	72	72	34	80	145	86
EWR10ED-48-72-96	48	72	96	34	80	151	110
EWR10ED-48-96-72	48	96	72	34	80	175	86
EWR10ED-48-96-96	48	96	96	34	80	175	112
EWR10ED-60-60-60	60	60	60	40	92	129	74
EWR10ED-60-60-72	60	60	72	40	92	133	86
EWR10ED-60-60-96	60	60	96	40	92	139	110
EWR10ED-60-72-72	60	72	72	40	92	151	86
EWR10ED-60-72-96	60	72	96	40	92	151	110
EWR10ED-60-96-96	60	96	96	40	92	182	112
EWR10ED-72-72-72	72	72	72	46	104	151	86
EWR10ED-72-72-96	72	72	96	46	104	151	110
EWR10ED-72-96-96	72	96	96	46	106	187	112

THE NATIONAL FIRE PROTECTION ASSOCIATION'S STANDARD NFPA 86 DOCUMENTS GUIDELINES FOR THE SAFE OPERATION OF OVENS AND FURNACES. THIS STANDARD DEFINES AN OVEN OCCASIONED BY THE PRESENCE OF FLAMMABLE VOLATILES OR COMBUSTIBLE MATERIAL AS "CLASS A" AND FURTHER MANDATES SPECIFIC SAFETY EQUIPMENT ON THESE OVENS TO REDUCE THE RISK OF FIRE OR EXPLOSION. SIMILARLY, OVENS OR FURNACES WHEREIN NO FLAMMABLE VOLATILES OR COMBUSTIBLE MATERIALS ARE PRESENT ARE CONSIDERED "CLASS B". IT IS IMPERATIVE THAT THE USER OF HEAT PROCESSING EQUIPMENT BE KNOWLEDGEABLE REGARDING APPLICATION OF THE EQUIPMENT.

MODEL: EWR10ED
 DESCRIPTION: Enhanced Walk-In Oven, Rear Heater, 1000 F, Electric, Dual Air Flow
 DRAWING: EWR10EDSALES

LEWCO, INC. IS COMMITTED TO CONTINUOUS IMPROVEMENT AND RESERVES THE RIGHT TO CHANGE DESIGNS AND SPECIFICATIONS WITHOUT NOTICE.
 THIS DRAWING IS CONFIDENTIAL AND MUST NOT BE COPIED, REPRODUCED OR USED FOR ANY PURPOSE WITHOUT THE WRITTEN CONSENT OF LEWCO, INC. ALL RIGHTS RESERVED.

DATE 4/30/2014
 REV 001
 PAGE 1 OF 1

