



**Enhanced Walk-In Oven, Rear Heater, 650 F, Fuel Fired, Dual Air Flow  
NFPA Class B**

Model	Workspace Dimensions			Heat Input	Circulating Blower (CFM)	Exhaust (ACFM)	Ships		
	"W	"D	"H						
EWR06FD-48-48-60	48	-	48	-	60	200,000 BTUH	2000	100	Fully Assembled
EWR06FD-48-48-72	48	-	48	-	72	200,000 BTUH	2500	100	Fully Assembled
EWR06FD-48-48-96	48	-	48	-	96	200,000 BTUH	3500	100	Fully Assembled
EWR06FD-48-72-72	48	-	72	-	72	200,000 BTUH	4000	100	Fully Assembled
EWR06FD-48-72-96	48	-	72	-	96	200,000 BTUH	5000	100	Fully Assembled
EWR06FD-48-96-72	48	-	96	-	72	200,000 BTUH	5000	100	Fully Assembled
EWR06FD-48-96-96	48	-	96	-	96	200,000 BTUH	7000	100	Fully Assembled
EWR06FD-60-60-60	60	-	60	-	60	200,000 BTUH	3500	100	Fully Assembled
EWR06FD-60-60-72	60	-	60	-	72	200,000 BTUH	4000	100	Fully Assembled
EWR06FD-60-60-96	60	-	60	-	96	400,000 BTUH	5000	100	Fully Assembled
EWR06FD-60-72-72	60	-	72	-	72	200,000 BTUH	4500	100	Fully Assembled
EWR06FD-60-72-96	60	-	72	-	96	400,000 BTUH	6000	100	Fully Assembled
EWR06FD-60-96-96	60	-	96	-	96	400,000 BTUH	8000	100	Fully Assembled
EWR06FD-72-72-72	72	-	72	-	72	400,000 BTUH	5500	100	Fully Assembled
EWR06FD-72-72-96	72	-	72	-	96	400,000 BTUH	8000	100	Fully Assembled
EWR06FD-72-96-96	72	-	96	-	96	400,000 BTUH	10000	250	Fully Assembled
EWR06FD-72-120-96	72	-	120	-	96	400,000 BTUH	12000	250	Fully Assembled
EWR06FD-84-84-84	84	-	84	-	84	400,000 BTUH	9000	250	Fully Assembled
EWR06FD-84-96-84	84	-	96	-	84	400,000 BTUH	10000	250	Fully Assembled
EWR06FD-84-120-84	84	-	120	-	84	700,000 BTUH	14000	250	Fully Assembled
EWR06FD-84-120-96	84	-	120	-	96	700,000 BTUH	14000	250	Fully Assembled
EWR06FD-96-96-96	96	-	96	-	96	700,000 BTUH	14000	250	Fully Assembled
EWR06FD-96-120-96	96	-	120	-	96	700,000 BTUH	16000	250	Fully Assembled
EWR06D-96-144-96	96	-	144	-	96	700,000 BTUH	20000	500	Fully Assembled
EWR06FD-96-168-96	96	-	168	-	96	700,000 BTUH	24000	500	Fully Assembled
EWR06FD-120-120-96	120	-	120	-	96	700,000 BTUH	20000	500	Field Assembly Required
EWR06FD-120-144-96	120	-	144	-	96	700,000 BTUH	24000	500	Field Assembly Required
EWR06FD-120-168-96	120	-	168	-	96	1,000,000 BTUH	28000	500	Field Assembly Required
EWR06D-120-120-120	120	-	120	-	120	700,000 BTUH	26000	500	Field Assembly Required
EWR06FD-120-144-120	120	-	144	-	120	1,000,000 BTUH	30000	500	Field Assembly Required

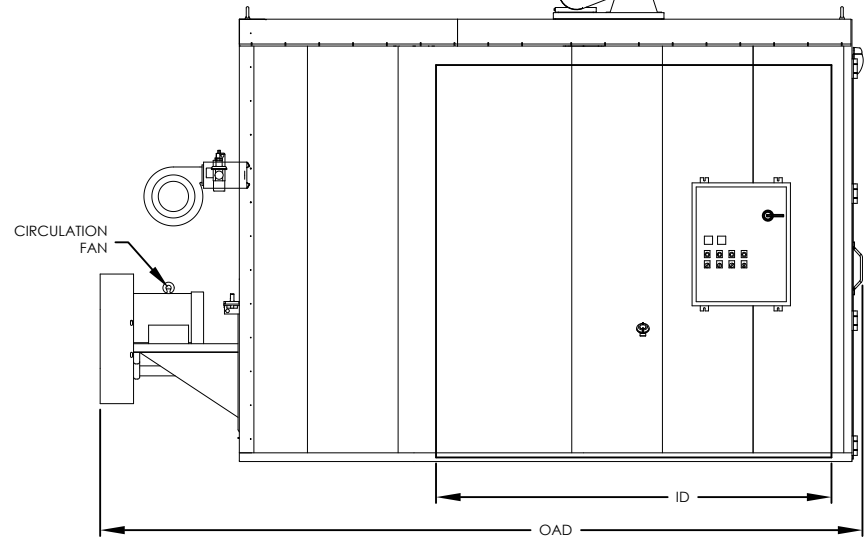
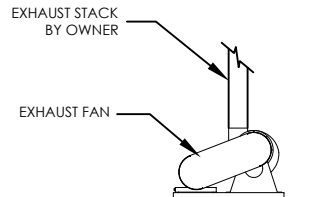
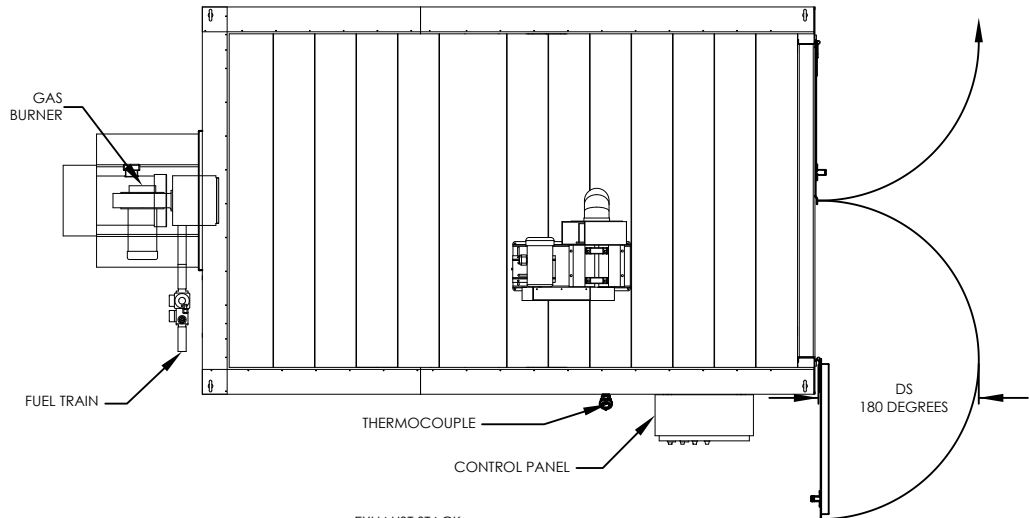


**Enhanced Walk-In Oven, Rear Heater, 650 F, Fuel Fired, Dual Air Flow**

**NFPA Class A**

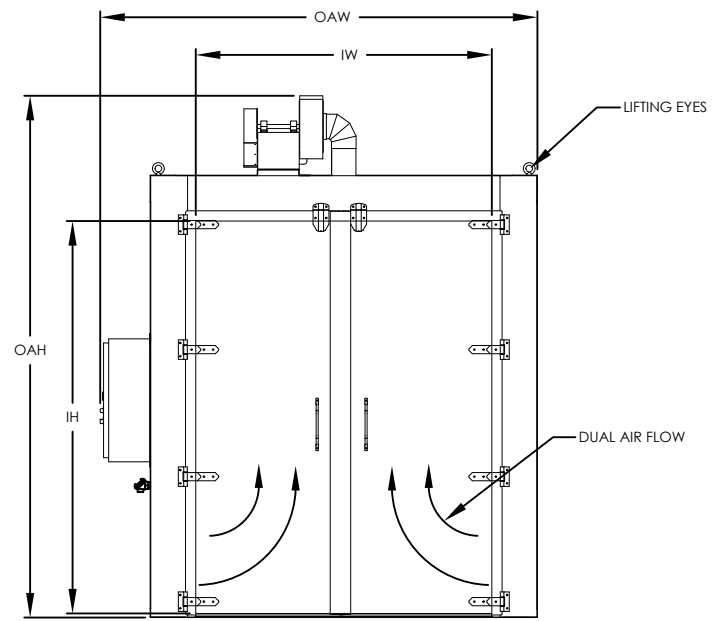
Model	Workspace Dimensions			Heat Input	Circulating Blower (CFM)	Exhaust (ACFM)	Max. Solvent (Gals. / Batch)	Ships		
	"W	"D	"H							
EWR06FD-48-48-60	48	-	48	-	60	200,000 BTUH	2000	250	0.14	Fully Assembled
EWR06FD-48-48-72	48	-	48	-	72	200,000 BTUH	2500	250	0.14	Fully Assembled
EWR06FD-48-48-96	48	-	48	-	96	200,000 BTUH	3500	250	0.14	Fully Assembled
EWR06FD-48-72-72	48	-	72	-	72	200,000 BTUH	4000	250	0.14	Fully Assembled
EWR06FD-48-72-96	48	-	72	-	96	200,000 BTUH	5000	250	0.14	Fully Assembled
EWR06FD-48-96-72	48	-	96	-	72	200,000 BTUH	5000	250	0.14	Fully Assembled
EWR06FD-48-96-96	48	-	96	-	96	200,000 BTUH	7000	250	0.14	Fully Assembled
EWR06FD-60-60-60	60	-	60	-	60	200,000 BTUH	3500	250	0.14	Fully Assembled
EWR06FD-60-60-72	60	-	60	-	72	200,000 BTUH	4000	250	0.14	Fully Assembled
EWR06FD-60-60-96	60	-	60	-	96	400,000 BTUH	5000	250	0.14	Fully Assembled
EWR06FD-60-72-72	60	-	72	-	72	200,000 BTUH	4500	250	0.14	Fully Assembled
EWR06FD-60-72-96	60	-	72	-	96	400,000 BTUH	6000	250	0.14	Fully Assembled
EWR06FD-60-96-96	60	-	96	-	96	400,000 BTUH	8000	500	0.28	Fully Assembled
EWR06FD-72-72-72	72	-	72	-	72	400,000 BTUH	5500	250	0.14	Fully Assembled
EWR06FD-72-72-96	72	-	72	-	96	400,000 BTUH	8000	250	0.14	Fully Assembled
EWR06FD-72-96-96	72	-	96	-	96	400,000 BTUH	10000	500	0.28	Fully Assembled
EWR06FD-72-120-96	72	-	120	-	96	400,000 BTUH	12000	500	0.28	Fully Assembled
EWR06FD-84-84-84	84	-	84	-	84	400,000 BTUH	9000	500	0.28	Fully Assembled
EWR06FD-84-96-84	84	-	96	-	84	400,000 BTUH	10000	500	0.28	Fully Assembled
EWR06FD-84-120-84	84	-	120	-	84	700,000 BTUH	14000	500	0.28	Fully Assembled
EWR06FD-84-120-96	84	-	120	-	96	700,000 BTUH	14000	500	0.28	Fully Assembled
EWR06FD-96-96-96	96	-	96	-	96	700,000 BTUH	14000	500	0.28	Fully Assembled
EWR06FD-96-120-96	96	-	120	-	96	700,000 BTUH	16000	500	0.28	Fully Assembled
EWR06D-96-144-96	96	-	144	-	96	700,000 BTUH	20000	1000	0.6	Fully Assembled
EWR06FD-96-168-96	96	-	168	-	96	700,000 BTUH	24000	1000	0.6	Fully Assembled
EWR06FD-120-120-96	120	-	120	-	96	700,000 BTUH	20000	1000	0.6	Field Assembly Required
EWR06FD-120-144-96	120	-	144	-	96	700,000 BTUH	24000	1000	0.6	Field Assembly Required
EWR06FD-120-168-96	120	-	168	-	96	1,000,000 BTUH	28000	1000	0.6	Field Assembly Required
EWR06D-120-120-120	120	-	120	-	120	700,000 BTUH	26000	1000	0.6	Field Assembly Required
EWR06FD-120-144-120	120	-	144	-	120	1,000,000 BTUH	30000	1000	0.6	Field Assembly Required





MODEL	WORKSPACE DIMENSIONS				OVERALL DIMENSIONS		
	IW (in)	ID (in)	IH (in)	DS (in)	OAW (in)	OAD (in)	OAH (in)
EWRO6FD-48-48-60	48	48	60	34	79	106	71
EWRO6FD-48-48-72	48	48	72	34	79	106	83
EWRO6FD-48-48-96	48	48	96	34	79	110	107
EWRO6FD-48-72-72	48	72	72	34	79	140	83
EWRO6FD-48-72-96	48	72	96	34	79	140	107
EWRO6FD-48-96-72	48	96	72	34	79	164	83
EWRO6FD-48-96-96	48	96	96	34	79	170	109
EWRO6FD-60-60-60	60	60	60	40	91	122	71
EWRO6FD-60-60-72	60	60	72	40	91	128	83
EWRO6FD-60-60-96	60	60	96	40	91	128	107
EWRO6FD-60-72-72	60	72	72	40	91	140	83
EWRO6FD-60-72-96	60	72	96	40	91	146	107
EWRO6FD-60-96-96	60	96	96	40	91	170	109
EWRO6FD-72-72-72	72	72	72	46	103	146	83
EWRO6FD-72-72-96	72	72	96	46	103	146	107
EWRO6FD-72-96-96	72	96	96	46	105	178	109
EWRO6FD-72-120-96	72	120	96	46	107	208	111

SEE SHEET 2 FOR MORE SIZES



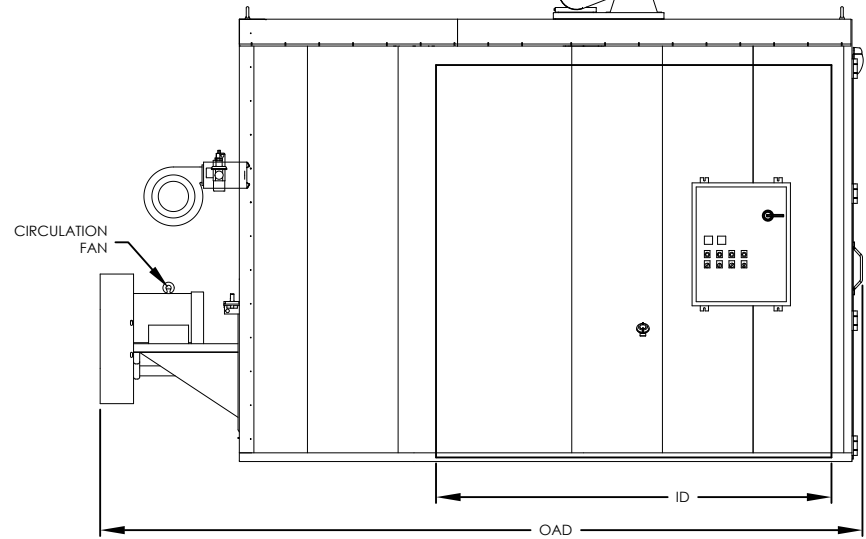
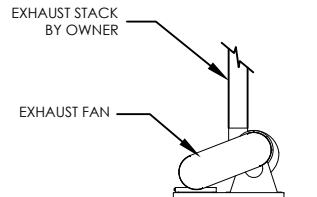
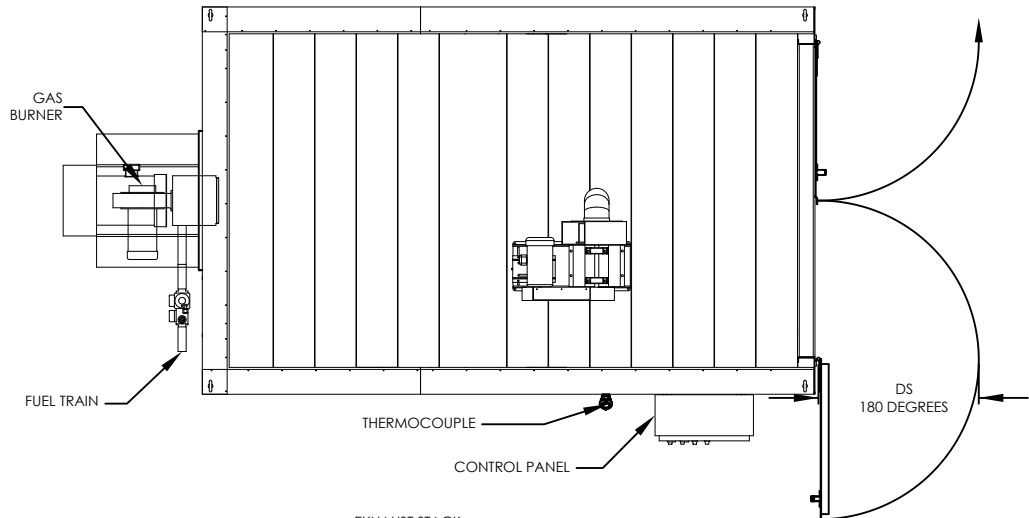
THE NATIONAL FIRE PROTECTION ASSOCIATION'S STANDARD NFPA 86 DOCUMENTS GUIDELINES FOR THE SAFE OPERATION OF OVENS AND FURNACES. THIS STANDARD DEFINES AN OVEN OCCASIONED BY THE PRESENCE OF FLAMMABLE VOLATILES OR COMBUSTIBLE MATERIAL AS "CLASS A" AND FURTHER MANDATES SPECIFIC SAFETY EQUIPMENT ON THESE OVENS TO REDUCE THE RISK OF FIRE OR EXPLOSION. SIMILARLY, OVENS OR FURNACES WHEREIN NO FLAMMABLE VOLATILES OR COMBUSTIBLE MATERIALS ARE PRESENT ARE CONSIDERED "CLASS B". IT IS IMPERATIVE THAT THE USER OF HEAT PROCESSING EQUIPMENT BE KNOWLEDGEABLE REGARDING APPLICATION OF THE EQUIPMENT.

MODEL: EWR06FD  
 DESCRIPTION: Enhanced Walk-In Oven, Rear Heater, 650 F, Gas, Dual Air Flow  
 DRAWING: EWR06FD SALES

LEWCO, INC. IS COMMITTED TO CONTINUOUS IMPROVEMENT AND RESERVES THE RIGHT TO CHANGE DESIGNS AND SPECIFICATIONS WITHOUT NOTICE.  
 THIS DRAWING IS CONFIDENTIAL AND MUST NOT BE COPIED, REPRODUCED OR USED FOR ANY PURPOSE WITHOUT THE WRITTEN CONSENT OF LEWCO, INC. ALL RIGHTS RESERVED.

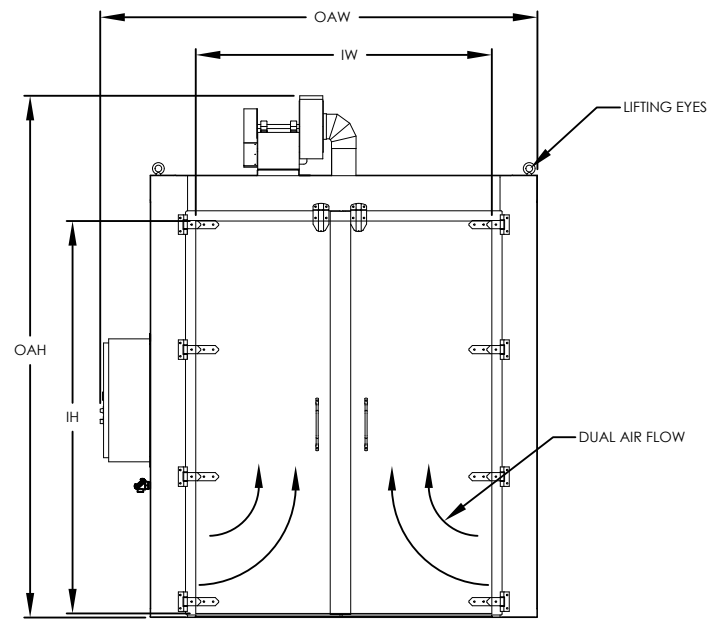
DATE 4/30/2014  
 REV 001  
 PAGE 1 OF 2





MODEL	WORKSPACE DIMENSIONS				OVERALL DIMENSIONS		
	IW (in)	ID (in)	IH (in)	DS (in)	OAW (in)	OAD (in)	OAH (in)
EWRO6FD-84-84-84	84	84	84	52	118	161	117
EWRO6FD-84-96-84	84	96	84	52	120	173	118
EWRO6FD-84-120-84	84	120	84	52	124	197	120
EWRO6FD-84-120-96	96	120	96	52	126	204	133
EWRO6FD-96-96-96	96	96	96	58	131	182	109
EWRO6FD-96-120-96	96	120	96	58	133	211	110
EWRO6FD-96-144-96	96	144	96	58	137	240	112
EWRO6FD-96-168-96	96	168	96	58	139	274	113
EWRO6FD-120-120-96	120	120	96	70	161	216	112
EWRO6FD-120-144-96	120	144	96	70	163	250	113
EWRO6FD-120-168-96	120	168	96	70	167	280	115
EWRO6FD-120-120-120	120	120	120	70	163	266	139
EWRO6FD-120-144-120	120	144	120	70	167	256	141

SEE SHEET 1 FOR MORE SIZES



THE NATIONAL FIRE PROTECTION ASSOCIATION'S STANDARD NFPA 86 DOCUMENTS GUIDELINES FOR THE SAFE OPERATION OF OVENS AND FURNACES. THIS STANDARD DEFINES AN OVEN OCCASIONED BY THE PRESENCE OF FLAMMABLE VOLATILES OR COMBUSTIBLE MATERIAL AS "CLASS A" AND FURTHER MANDATES SPECIFIC SAFETY EQUIPMENT ON THESE OVENS TO REDUCE THE RISK OF FIRE OR EXPLOSION. SIMILARLY, OVENS OR FURNACES WHEREIN NO FLAMMABLE VOLATILES OR COMBUSTIBLE MATERIALS ARE PRESENT ARE CONSIDERED "CLASS B". IT IS IMPERATIVE THAT THE USER OF HEAT PROCESSING EQUIPMENT BE KNOWLEDGEABLE REGARDING APPLICATION OF THE EQUIPMENT.

MODEL: EWR06FD  
 DESCRIPTION: Enhanced Walk-In Oven, Rear Heater, 650 F, Gas, Dual Air Flow  
 DRAWING: EWR06FD SALES

LEWCO, INC. IS COMMITTED TO CONTINUOUS IMPROVEMENT AND RESERVES THE RIGHT TO CHANGE DESIGNS AND SPECIFICATIONS WITHOUT NOTICE.  
 THIS DRAWING IS CONFIDENTIAL AND MUST NOT BE COPIED, REPRODUCED OR USED FOR ANY PURPOSE WITHOUT THE WRITTEN CONSENT OF LEWCO, INC. ALL RIGHTS RESERVED.

DATE 4/30/2014  
 REV 001  
 PAGE 2 OF 2

