



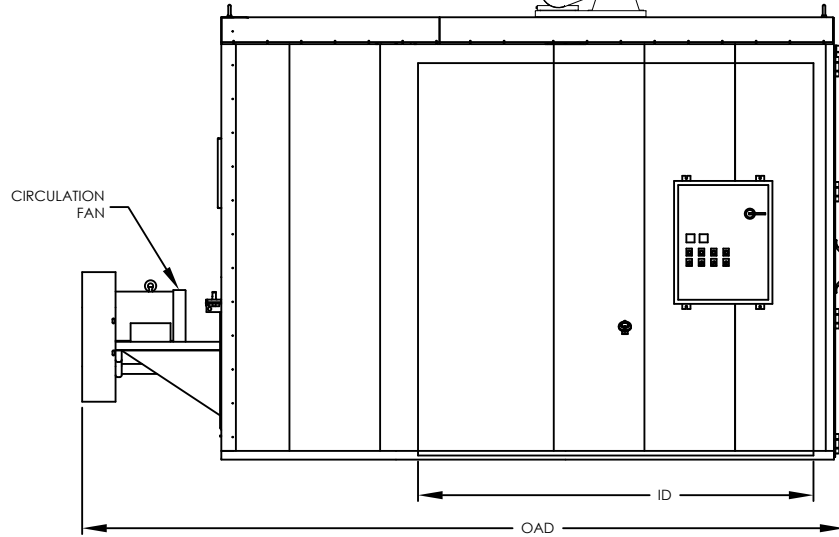
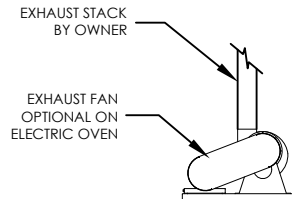
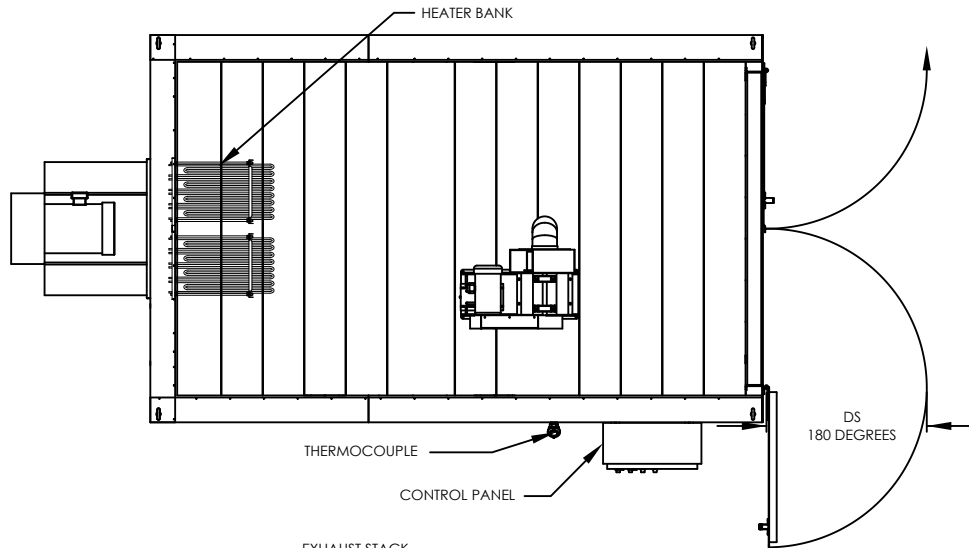
**Enhanced Walk-In Oven, Rear Heater, 650 F, Electric, Dual Air Flow
NFPA Class B**

Model	Workspace Dimensions			Heat Input	Circulating Blower (CFM)	Ships
	"W	"D	"H			
EWR06ED-48-48-60	48	- 48	- 60	45	2000	Fully Assembled
EWR06ED-48-48-72	48	- 48	- 72	54	2500	Fully Assembled
EWR06ED-48-48-96	48	- 48	- 96	63	3500	Fully Assembled
EWR06ED-48-72-72	48	- 72	- 72	63	4000	Fully Assembled
EWR06ED-48-72-96	48	- 72	- 96	72	5000	Fully Assembled
EWR06ED-48-96-72	48	- 96	- 72	72	5000	Fully Assembled
EWR06ED-48-96-96	48	- 96	- 96	81	7000	Fully Assembled
EWR06ED-60-60-60	60	- 60	- 60	54	3500	Fully Assembled
EWR06ED-60-60-72	60	- 60	- 72	63	4000	Fully Assembled
EWR06ED-60-60-96	60	- 60	- 96	72	5000	Fully Assembled
EWR06ED-60-72-72	60	- 72	- 72	63	4500	Fully Assembled
EWR06ED-60-72-96	60	- 72	- 96	81	6000	Fully Assembled
EWR06ED-60-96-96	60	- 96	- 96	90	8000	Fully Assembled
EWR06ED-72-72-72	72	- 72	- 72	72	5500	Fully Assembled
EWR06ED-72-72-96	72	- 72	- 96	81	8000	Fully Assembled
EWR06ED-72-96-96	72	- 96	- 96	99	10000	Fully Assembled
EWR06ED-72-120-96	72	- 120	- 96	108	12000	Fully Assembled
EWR06ED-84-84-84	84	- 84	- 84	90	9000	Fully Assembled
EWR06ED-84-96-84	84	- 96	- 84	99	10000	Fully Assembled
EWR06ED-84-120-84	84	- 120	- 84	108	14000	Fully Assembled
EWR06ED-84-120-96	84	- 120	- 96	117	14000	Fully Assembled
EWR06ED-96-96-96	96	- 96	- 96	117	14000	Fully Assembled
EWR06ED-96-120-96	96	- 120	- 96	144	16000	Fully Assembled
EWR06ED-96-144-96	96	- 144	- 96	162	20000	Fully Assembled
EWR06ED-96-168-96	96	- 168	- 96	180	24000	Fully Assembled
EWR06ED-120-120-96	120	- 120	- 96	162	20000	Field Assembly Required
EWR06ED-120-144-96	120	- 144	- 96	180	24000	Field Assembly Required
EWR06ED-120-168-96	120	- 168	- 96	198	28000	Field Assembly Required
EWR06ED-120-120-120	120	- 120	- 120	180	26000	Field Assembly Required



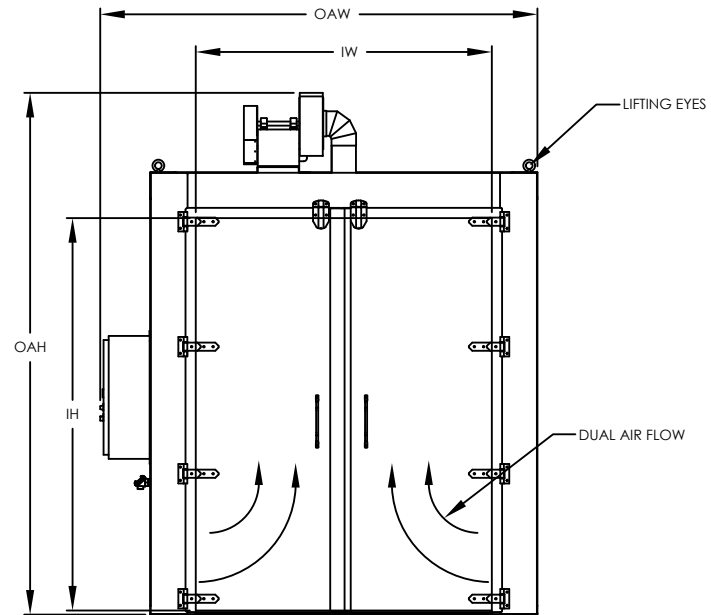
**Enhanced Walk-In Oven, Rear Heater, 650 F, Electric, Dual Air Flow
NFPA Class A**

Model	Workspace Dimensions			Heat Input	Circulating Blower (CFM)	Exhaust (ACFM)	Max. Solvent (Gals. / Batch)	Ships		
	"W	"D	"H							
EWR06ED-48-48-60	48	-	48	-	60	54	2000	62	0.05	Fully Assembled
EWR06ED-48-48-72	48	-	48	-	72	63	2500	62	0.05	Fully Assembled
EWR06ED-48-48-96	48	-	48	-	96	72	3500	62	0.05	Fully Assembled
EWR06ED-48-72-72	48	-	72	-	72	72	4000	62	0.05	Fully Assembled
EWR06ED-48-72-96	48	-	72	-	96	81	5000	62	0.05	Fully Assembled
EWR06ED-48-96-72	48	-	96	-	72	81	5000	62	0.05	Fully Assembled
EWR06ED-48-96-96	48	-	96	-	96	90	7000	62	0.05	Fully Assembled
EWR06ED-60-60-60	60	-	60	-	60	63	3500	62	0.05	Fully Assembled
EWR06ED-60-60-72	60	-	60	-	72	72	4000	62	0.05	Fully Assembled
EWR06ED-60-60-96	60	-	60	-	96	81	5000	62	0.05	Fully Assembled
EWR06ED-60-72-72	60	-	72	-	72	72	4500	62	0.05	Fully Assembled
EWR06ED-60-72-96	60	-	72	-	96	90	6000	62	0.05	Fully Assembled
EWR06ED-60-96-96	60	-	96	-	96	117	8000	100	0.09	Fully Assembled
EWR06ED-72-72-72	72	-	72	-	72	81	5500	62	0.05	Fully Assembled
EWR06ED-72-72-96	72	-	72	-	96	90	8000	62	0.05	Fully Assembled
EWR06ED-72-96-96	72	-	96	-	96	117	10000	100	0.09	Fully Assembled
EWR06ED-72-120-96	72	-	120	-	96	153	12000	100	0.09	Fully Assembled
EWR06ED-84-84-84	84	-	84	-	84	117	9000	250	0.2	Fully Assembled
EWR06ED-84-96-84	84	-	96	-	84	117	10000	250	0.2	Fully Assembled
EWR06ED-84-120-84	84	-	120	-	84	180	14000	250	0.2	Fully Assembled
EWR06ED-84-120-96	84	-	120	-	96	180	14000	250	0.2	Fully Assembled
EWR06ED-96-96-96	96	-	96	-	96	180	14000	250	0.22	Fully Assembled
EWR06ED-96-120-96	96	-	120	-	96	189	16000	250	0.22	Fully Assembled
EWR06ED-96-144-96	96	-	144	-	96	207	20000	250	0.22	Fully Assembled
EWR06ED-96-168-96	96	-	168	-	96	225	24000	250	0.22	Fully Assembled
EWR06ED-120-120-96	120	-	120	-	96	207	20000	250	0.22	Field Assembly Required
EWR06ED-120-144-96	120	-	144	-	96	225	24000	250	0.22	Field Assembly Required
EWR06ED-120-168-96	120	-	168	-	96	261	28000	250	0.22	Field Assembly Required
EWR06ED-120-120-120	120	-	120	-	120	234	26000	250	0.22	Field Assembly Required



MODEL	WORKSPACE DIMENSIONS				OVERALL DIMENSIONS		
	IW (in)	ID (in)	IH (in)	DS (in)	OAW (in)	OAD (in)	OAH (in)
EWRO6ED-48-48-60	48	48	60	34	79	106	91
EWRO6ED-48-48-72	48	48	72	34	79	106	103
EWRO6ED-48-48-96	48	48	96	34	79	106	127
EWRO6ED-48-72-72	48	72	72	34	79	140	103
EWRO6ED-48-72-96	48	72	96	34	79	140	127
EWRO6ED-48-96-72	48	96	72	34	79	164	103
EWRO6ED-48-96-96	48	96	96	34	79	170	129
EWRO6ED-60-60-60	60	60	60	40	91	122	91
EWRO6ED-60-60-72	60	60	72	40	91	128	103
EWRO6ED-60-60-96	60	60	96	40	91	128	127
EWRO6ED-60-72-72	60	72	72	40	91	140	103
EWRO6ED-60-72-96	60	72	96	40	91	146	127
EWRO6ED-60-96-96	60	96	96	40	91	170	129
EWRO6ED-72-72-72	72	72	72	46	103	146	103
EWRO6ED-72-72-96	72	72	96	46	103	146	127
EWRO6ED-72-96-96	72	96	96	46	105	178	129
EWRO6ED-72-120-96	72	120	96	46	107	206	131

SEE SHEET 2 FOR MORE SIZES



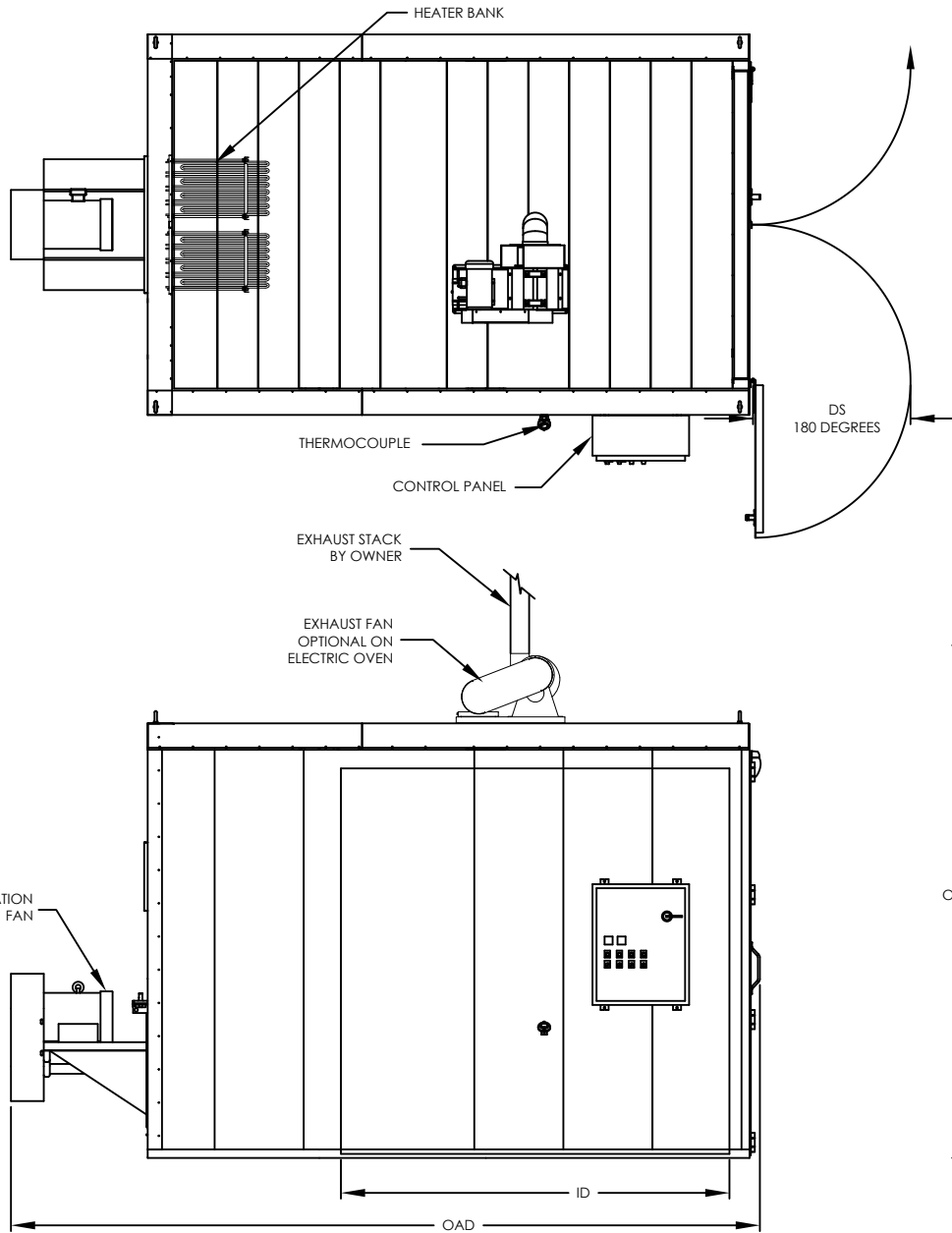
THE NATIONAL FIRE PROTECTION ASSOCIATION'S STANDARD NFPA 86 DOCUMENTS GUIDELINES FOR THE SAFE OPERATION OF OVENS AND FURNACES. THIS STANDARD DEFINES AN OVEN OCCASIONED BY THE PRESENCE OF FLAMMABLE VOLATILES OR COMBUSTIBLE MATERIAL AS "CLASS A" AND FURTHER MANDATES SPECIFIC SAFETY EQUIPMENT ON THESE OVENS TO REDUCE THE RISK OF FIRE OR EXPLOSION. SIMILARLY, OVENS OR FURNACES WHEREIN NO FLAMMABLE VOLATILES OR COMBUSTIBLE MATERIALS ARE PRESENT ARE CONSIDERED "CLASS B". IT IS IMPERATIVE THAT THE USER OF HEAT PROCESSING EQUIPMENT BE KNOWLEDGEABLE REGARDING APPLICATION OF THE EQUIPMENT.

MODEL: EWR06ED
 DESCRIPTION: Enhanced Walk-In Oven, Rear Heater, 650 F, Electric, Dual Air Flow
 DRAWING: EWR06ED SALES

LEWCO, INC. IS COMMITTED TO CONTINUOUS IMPROVEMENT AND RESERVES THE RIGHT TO CHANGE DESIGNS AND SPECIFICATIONS WITHOUT NOTICE.
 THIS DRAWING IS CONFIDENTIAL AND MUST NOT BE COPIED, REPRODUCED OR USED FOR ANY PURPOSE WITHOUT THE WRITTEN CONSENT OF LEWCO, INC. ALL RIGHTS RESERVED.

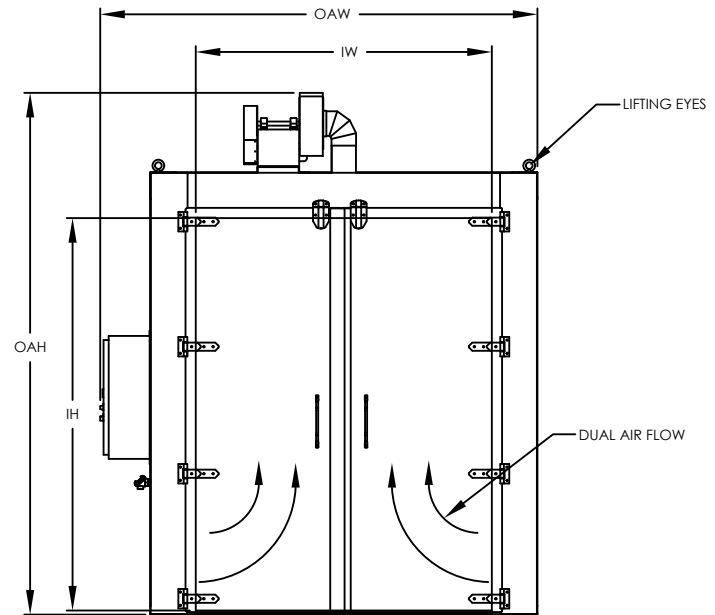
DATE 4/30/2014
 REV 001
 PAGE 1 OF 2





MODEL	WORKSPACE DIMENSIONS				OVERALL DIMENSIONS		
	IW	ID	IH	DS	OAW	OAD	OAH
	(in)	(in)	(in)	(in)	(in)	(in)	(in)
EWRO6ED-84-84-84	84	84	84	52	121	162	117
EWRO6ED-84-96-84	84	96	84	52	121	174	118
EWRO6ED-84-120-84	84	120	84	52	123	202	120
EWRO6ED-84-120-96	84	120	96	52	127	206	133
EWRO6ED-96-96-96	96	96	96	58	131	182	132
EWRO6ED-96-120-96	96	120	96	58	133	211	133
EWRO6ED-96-144-96	96	144	96	58	137	240	135
EWRO6ED-96-168-96	96	168	96	58	139	274	135
EWRO6ED-120-120-96	120	120	96	70	161	216	137
EWRO6ED-120-144-96	120	144	96	70	163	250	139
EWRO6ED-120-168-96	120	168	96	70	167	280	130
EWRO6ED-120-120-120	120	120	120	70	163	266	155

SEE SHEET 1 FOR MORE SIZES



THE NATIONAL FIRE PROTECTION ASSOCIATION'S STANDARD NFPA 86 DOCUMENTS GUIDELINES FOR THE SAFE OPERATION OF OVENS AND FURNACES. THIS STANDARD DEFINES AN OVEN OCCASIONED BY THE PRESENCE OF FLAMMABLE VOLATILES OR COMBUSTIBLE MATERIAL AS "CLASS A" AND FURTHER MANDATES SPECIFIC SAFETY EQUIPMENT ON THESE OVENS TO REDUCE THE RISK OF FIRE OR EXPLOSION. SIMILARLY, OVENS OR FURNACES WHEREIN NO FLAMMABLE VOLATILES OR COMBUSTIBLE MATERIALS ARE PRESENT ARE CONSIDERED "CLASS B". IT IS IMPERATIVE THAT THE USER OF HEAT PROCESSING EQUIPMENT BE KNOWLEDGEABLE REGARDING APPLICATION OF THE EQUIPMENT.

MODEL: EWR06ED
 DESCRIPTION: Enhanced Walk-In Oven, Rear Heater, 650 F, Electric, Dual Air Flow
 DRAWING: EWR06ED SALES

LEWCO, INC. IS COMMITTED TO CONTINUOUS IMPROVEMENT AND RESERVES THE RIGHT TO CHANGE DESIGNS AND SPECIFICATIONS WITHOUT NOTICE.
 THIS DRAWING IS CONFIDENTIAL AND MUST NOT BE COPIED, REPRODUCED OR USED FOR ANY PURPOSE WITHOUT THE WRITTEN CONSENT OF LEWCO, INC. ALL RIGHTS RESERVED.

DATE 4/30/2014
 REV 001
 PAGE 2 OF 2

