



**Enhanced Walk-In Oven, Rear Heater, 500 F, Electric, Dual Air Flow  
NFPA Class B**

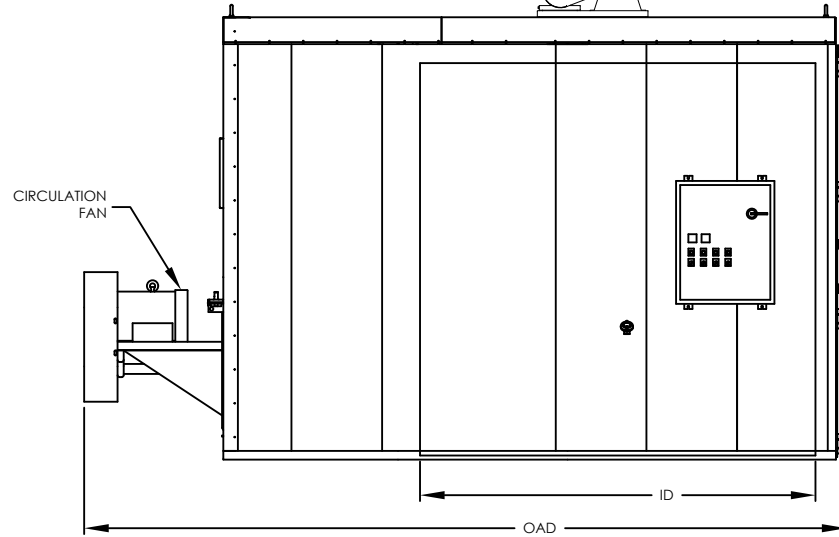
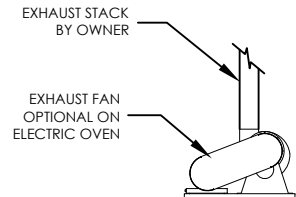
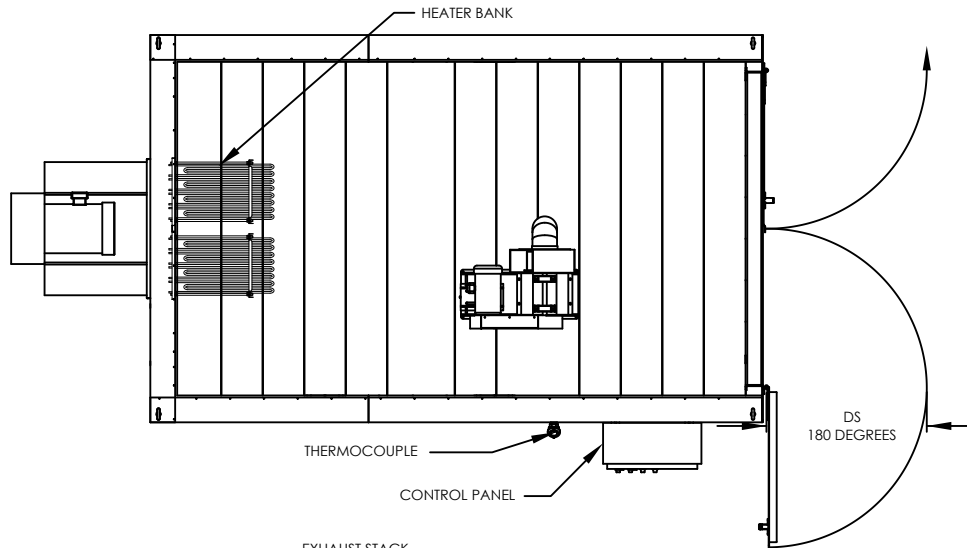
Model	Workspace Dimensions			Heat Input	Circulating Blower (CFM)	Ships		
	"W	"D	"H					
EWR05ED-48-48-60	48	-	48	-	60	45 kW	1700	Fully Assembled
EWR05ED-48-48-72	48	-	48	-	72	45 kW	2000	Fully Assembled
EWR05ED-48-48-96	48	-	48	-	96	54 kW	2500	Fully Assembled
EWR05ED-48-72-72	48	-	72	-	72	54 kW	3000	Fully Assembled
EWR05ED-48-72-96	48	-	72	-	96	63 kW	4000	Fully Assembled
EWR05ED-48-96-72	48	-	96	-	72	63 kW	4000	Fully Assembled
EWR05ED-48-96-96	48	-	96	-	96	72 kW	5000	Fully Assembled
EWR05ED-60-60-60	60	-	60	-	60	45 kW	2500	Fully Assembled
EWR05ED-60-60-72	60	-	60	-	72	54 kW	3000	Fully Assembled
EWR05ED-60-60-96	60	-	60	-	96	63 kW	4000	Fully Assembled
EWR05ED-60-72-72	60	-	72	-	72	54 kW	3500	Fully Assembled
EWR05ED-60-72-96	60	-	72	-	96	63 kW	4500	Fully Assembled
EWR05ED-60-96-96	60	-	96	-	96	72 kW	6000	Fully Assembled
EWR05ED-72-72-72	72	-	72	-	72	63 kW	4000	Fully Assembled
EWR05ED-72-72-96	72	-	72	-	96	72 kW	5500	Fully Assembled
EWR05ED-72-96-96	72	-	96	-	96	81 kW	8000	Fully Assembled
EWR05ED-72-120-96	72	-	120	-	96	90 kW	9000	Fully Assembled
EWR05ED-84-84-84	84	-	84	-	84	72 kW	7000	Fully Assembled
EWR05ED-84-96-84	84	-	96	-	84	81 kW	8000	Fully Assembled
EWR05ED-84-120-84	84	-	120	-	84	90 kW	10000	Fully Assembled
EWR05ED-84-120-96	84	-	120	-	96	99 kW	12000	Fully Assembled
EWR05ED-96-96-96	96	-	96	-	96	90 kW	10000	Fully Assembled
EWR05ED-96-120-96	96	-	120	-	96	108 kW	12000	Fully Assembled
EWR05ED-96-144-96	96	-	144	-	96	117 kW	16000	Fully Assembled
EWR05ED-96-168-96	96	-	168	-	96	144 kW	18000	Fully Assembled
EWR05ED-120-120-96	120	-	120	-	96	117 kW	16000	Field Assembly Required
EWR05ED-120-144-96	120	-	144	-	96	153 kW	18000	Field Assembly Required
EWR05ED-120-168-96	120	-	168	-	96	162 kW	22000	Field Assembly Required
EWR05ED-120-120-120	120	-	120	-	120	153 kW	20000	Field Assembly Required
EWR05ED-120-144-120	120	-	144	-	120	162 kW	24000	Field Assembly Required
EWR05ED-120-168-120	120	-	168	-	120	180 kW	26000	Field Assembly Required



**Enhanced Walk-In Oven, Rear Heater, 500 F, Electric, Dual Air Flow**

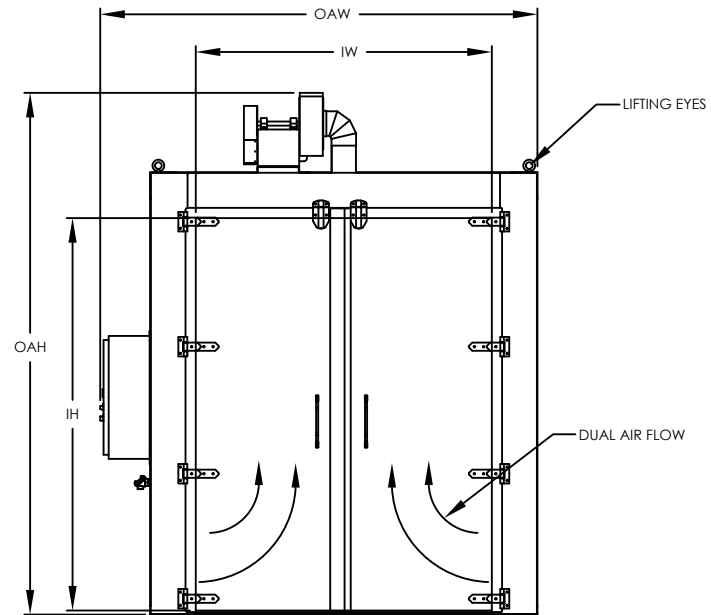
**NFPA Class B**

Model	Workspace Dimensions			Heat Input	Circulating Blower (CFM)	Exhaust (ACFM)	Max. Solvent (Gals. / Batch)	Ships		
	"W	"D	"H							
EWR05ED-48-48-60	48	-	48	-	60	54 kW	1700	62	0.05	Fully Assembled
EWR05ED-48-48-72	48	-	48	-	72	54 kW	2000	62	0.05	Fully Assembled
EWR05ED-48-48-96	48	-	48	-	96	63 kW	2500	62	0.05	Fully Assembled
EWR05ED-48-72-72	48	-	72	-	72	63 kW	3000	62	0.05	Fully Assembled
EWR05ED-48-72-96	48	-	72	-	96	63 kW	4000	62	0.05	Fully Assembled
EWR05ED-48-96-72	48	-	96	-	72	63 kW	4000	62	0.05	Fully Assembled
EWR05ED-48-96-96	48	-	96	-	96	72 kW	5000	62	0.05	Fully Assembled
EWR05ED-60-60-60	60	-	60	-	60	54 kW	2500	62	0.05	Fully Assembled
EWR05ED-60-60-72	60	-	60	-	72	63 kW	3000	62	0.05	Fully Assembled
EWR05ED-60-60-96	60	-	60	-	96	72 kW	4000	62	0.05	Fully Assembled
EWR05ED-60-72-72	60	-	72	-	72	63 kW	3500	62	0.05	Fully Assembled
EWR05ED-60-72-96	60	-	72	-	96	72 kW	4500	62	0.05	Fully Assembled
EWR05ED-60-96-96	60	-	96	-	96	90 kW	6000	100	0.09	Fully Assembled
EWR05ED-72-72-72	72	-	72	-	72	72 kW	4000	62	0.05	Fully Assembled
EWR05ED-72-72-96	72	-	72	-	96	81 kW	5500	62	0.05	Fully Assembled
EWR05ED-72-96-96	72	-	96	-	96	99 kW	8000	100	0.09	Fully Assembled
EWR05ED-72-120-96	72	-	120	-	96	108 kW	9000	100	0.09	Fully Assembled
EWR05ED-84-84-84	84	-	84	-	84	99 kW	7000	250	0.2	Fully Assembled
EWR05ED-84-96-84	84	-	96	-	84	99 kW	8000	250	0.2	Fully Assembled
EWR05ED-84-120-84	84	-	120	-	84	153 kW	10000	250	0.2	Fully Assembled
EWR05ED-84-120-96	84	-	120	-	96	153 kW	12000	250	0.2	Fully Assembled
EWR05ED-96-96-96	96	-	96	-	96	153 kW	10000	250	0.22	Fully Assembled
EWR05ED-96-120-96	96	-	120	-	96	162 kW	12000	250	0.22	Fully Assembled
EWR05ED-96-144-96	96	-	144	-	96	171 kW	16000	250	0.22	Fully Assembled
EWR05ED-96-168-96	96	-	168	-	96	189 kW	18000	250	0.22	Fully Assembled
EWR05ED-120-120-96	120	-	120	-	96	180 kW	16000	250	0.22	Field Assembly Required
EWR05ED-120-144-96	120	-	144	-	96	189 kW	18000	250	0.22	Field Assembly Required
EWR05ED-120-168-96	120	-	168	-	96	198 kW	22000	250	0.22	Field Assembly Required
EWR05ED-120-120-120	120	-	120	-	120	189 kW	20000	250	0.22	Field Assembly Required
EWR05ED-120-144-120	120	-	144	-	120	207 kW	24000	250	0.22	Field Assembly Required
EWR05ED-120-168-120	120	-	168	-	120	225 kW	26000	500	0.44	Field Assembly Required



MODEL	WORKSPACE DIMENSIONS				OVERALL DIMENSIONS		
	IW (in)	ID (in)	IH (in)	DS (in)	OAW (in)	OAD (in)	OAH (in)
EWRO5ED-48-48-60	48	48	60	34	78	105	91
EWRO5ED-48-48-72	48	48	72	34	78	105	103
EWRO5ED-48-48-96	48	48	96	34	78	105	127
EWRO5ED-48-72-72	48	72	72	34	78	133	103
EWRO5ED-48-72-96	48	72	96	34	78	133	127
EWRO5ED-48-96-72	48	96	72	34	78	157	103
EWRO5ED-48-96-96	48	96	96	34	78	163	129
EWRO5ED-60-60-60	60	60	60	40	90	117	91
EWRO5ED-60-60-72	60	60	72	40	90	121	103
EWRO5ED-60-60-96	60	60	96	40	90	127	127
EWRO5ED-60-72-72	60	72	72	40	90	133	103
EWRO5ED-60-72-96	60	72	96	40	90	139	127
EWRO5ED-60-96-96	60	96	96	40	90	169	129
EWRO5ED-72-72-72	72	72	72	46	102	139	103
EWRO5ED-72-72-96	72	72	96	46	102	145	127
EWRO5ED-72-96-96	72	96	96	46	104	173	129
EWRO5ED-72-120-96	72	120	96	46	106	197	131

SEE SHEET 2 FOR MORE SIZES



THE NATIONAL FIRE PROTECTION ASSOCIATION'S STANDARD NFPA 86 DOCUMENTS GUIDELINES FOR THE SAFE OPERATION OF OVENS AND FURNACES. THIS STANDARD DEFINES AN OVEN OCCASIONED BY THE PRESENCE OF FLAMMABLE VOLATILES OR COMBUSTIBLE MATERIAL AS "CLASS A" AND FURTHER MANDATES SPECIFIC SAFETY EQUIPMENT ON THESE OVENS TO REDUCE THE RISK OF FIRE OR EXPLOSION. SIMILARLY, OVENS OR FURNACES WHEREIN NO FLAMMABLE VOLATILES OR COMBUSTIBLE MATERIALS ARE PRESENT ARE CONSIDERED "CLASS B". IT IS IMPERATIVE THAT THE USER OF HEAT PROCESSING EQUIPMENT BE KNOWLEDGEABLE REGARDING APPLICATION OF THE EQUIPMENT.

MODEL: EWR05ED  
 DESCRIPTION: Enhanced Walk-In Oven, Rear Heater, 500 F, Electric, Dual Air Flow  
 DRAWING: EWR05ED SALES

LEWCO, INC. IS COMMITTED TO CONTINUOUS IMPROVEMENT AND RESERVES THE RIGHT TO CHANGE DESIGNS AND SPECIFICATIONS WITHOUT NOTICE.  
 THIS DRAWING IS CONFIDENTIAL AND MUST NOT BE COPIED, REPRODUCED OR USED FOR ANY PURPOSE WITHOUT THE WRITTEN CONSENT OF LEWCO, INC. ALL RIGHTS RESERVED.

DATE 4/30/2014  
 REV 001  
 PAGE 1 OF 2

