



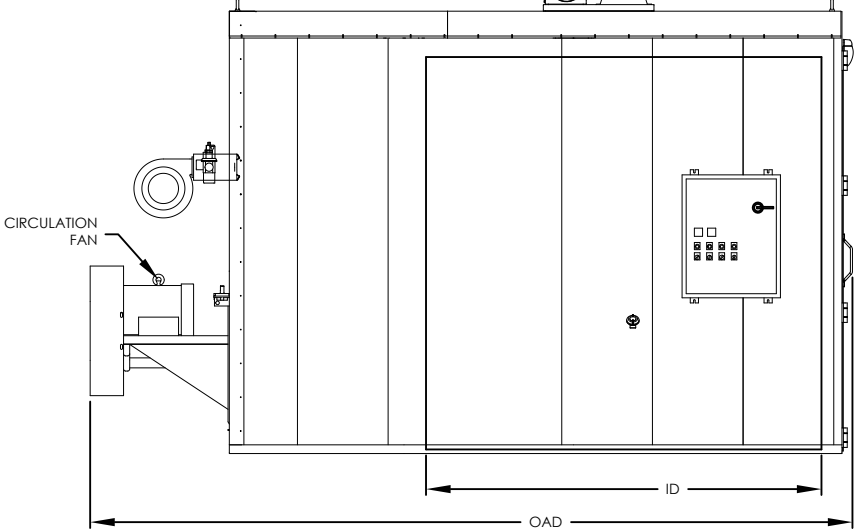
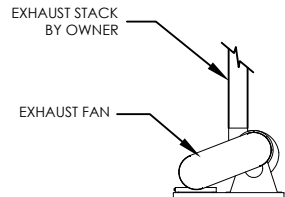
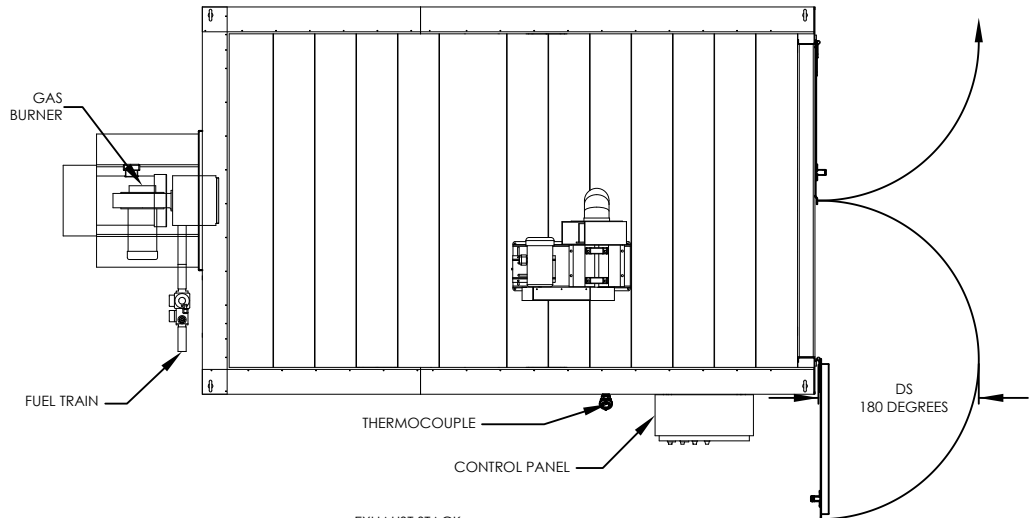
**Enhanced Walk-In Oven, Rear Heater, 350 F, Fuel Fired, Dual Air Flow
NFPA Class B**

Model	Workspace Dimensions			Heat Input	Circulating Blower (CFM)	Exhaust (ACFM)	Ships		
	"W	"D	"H						
EWR03FD-48-48-60	48	-	48	-	60	200,000 BTUH	1700	100	Fully Assembled
EWR03FD-48-48-72	48	-	48	-	72	200,000 BTUH	2000	100	Fully Assembled
EWR03FD-48-48-96	48	-	48	-	96	200,000 BTUH	2500	100	Fully Assembled
EWR03FD-48-72-72	48	-	72	-	72	200,000 BTUH	3000	100	Fully Assembled
EWR03FD-48-72-96	48	-	72	-	96	200,000 BTUH	4000	100	Fully Assembled
EWR03FD-48-96-72	48	-	96	-	72	200,000 BTUH	4000	100	Fully Assembled
EWR03FD-48-96-96	48	-	96	-	96	200,000 BTUH	5000	100	Fully Assembled
EWR03FD-60-60-60	60	-	60	-	60	200,000 BTUH	2500	100	Fully Assembled
EWR03FD-60-60-72	60	-	60	-	72	200,000 BTUH	3000	100	Fully Assembled
EWR03FD-60-60-96	60	-	60	-	96	200,000 BTUH	4000	100	Fully Assembled
EWR03FD-60-72-72	60	-	72	-	72	200,000 BTUH	3500	100	Fully Assembled
EWR03FD-60-72-96	60	-	72	-	96	200,000 BTUH	4500	100	Fully Assembled
EWR03FD-60-96-96	60	-	96	-	96	200,000 BTUH	6000	100	Fully Assembled
EWR03FD-72-72-72	72	-	72	-	72	200,000 BTUH	4000	100	Fully Assembled
EWR03FD-72-72-96	72	-	72	-	96	200,000 BTUH	5500	100	Fully Assembled
EWR03FD-72-96-96	72	-	96	-	96	200,000 BTUH	8000	250	Fully Assembled
EWR03FD-72-120-96	72	-	120	-	96	200,000 BTUH	9000	250	Fully Assembled
EWR03FD-84-84-84	84	-	84	-	84	200,000 BTUH	7000	250	Fully Assembled
EWR03FD-84-96-84	84	-	96	-	84	200,000 BTUH	8000	250	Fully Assembled
EWR03FD-84-120-84	84	-	120	-	84	400,000 BTUH	10000	250	Fully Assembled
EWR03FD-84-120-96	84	-	120	-	96	400,000 BTUH	12000	250	Fully Assembled
EWR03FD-96-96-96	96	-	96	-	96	400,000 BTUH	10000	250	Fully Assembled
EWR03FD-96-120-96	96	-	120	-	96	400,000 BTUH	12000	250	Fully Assembled



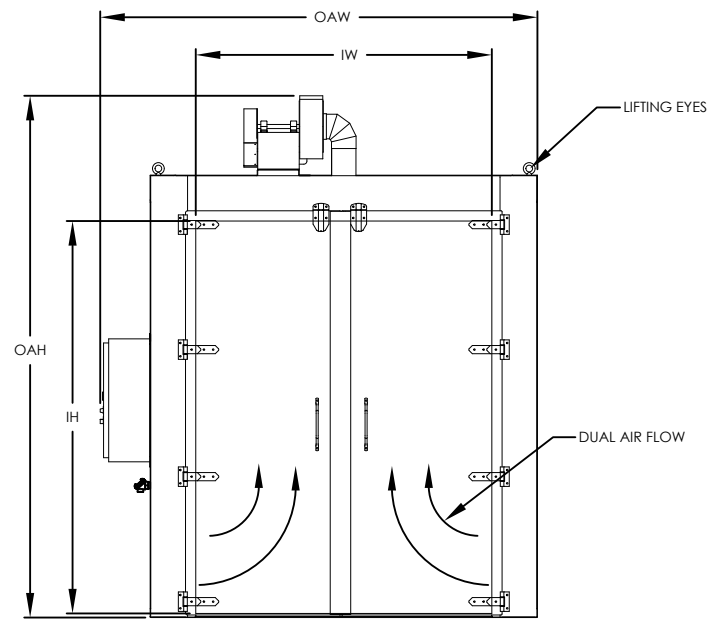
**Enhanced Walk-In Oven, Rear Heater, 350 F, Fuel Fired, Dual Air Flow
NFPA Class A**

Model	Workspace Dimensions			Heat Input	Circulating Blower (CFM)	Exhaust (ACFM)	Max. Solvent (Gals. / Batch)	Ships		
	"W	"D	"H							
EWR03FD-48-48-60	48	-	48	-	60	200,000 BTUH	1700	250	0.14	Fully Assembled
EWR03FD-48-48-72	48	-	48	-	72	200,000 BTUH	2000	250	0.14	Fully Assembled
EWR03FD-48-48-96	48	-	48	-	96	200,000 BTUH	2500	250	0.14	Fully Assembled
EWR03FD-48-72-72	48	-	72	-	72	200,000 BTUH	3000	250	0.14	Fully Assembled
EWR03FD-48-72-96	48	-	72	-	96	200,000 BTUH	4000	250	0.14	Fully Assembled
EWR03FD-48-96-72	48	-	96	-	72	200,000 BTUH	4000	250	0.14	Fully Assembled
EWR03FD-48-96-96	48	-	96	-	96	200,000 BTUH	5000	250	0.14	Fully Assembled
EWR03FD-60-60-60	60	-	60	-	60	200,000 BTUH	2500	250	0.14	Fully Assembled
EWR03FD-60-60-72	60	-	60	-	72	200,000 BTUH	3000	250	0.14	Fully Assembled
EWR03FD-60-60-96	60	-	60	-	96	200,000 BTUH	4000	250	0.14	Fully Assembled
EWR03FD-60-72-72	60	-	72	-	72	200,000 BTUH	3500	250	0.14	Fully Assembled
EWR03FD-60-72-96	60	-	72	-	96	200,000 BTUH	4500	250	0.14	Fully Assembled
EWR03FD-60-96-96	60	-	96	-	96	200,000 BTUH	6000	500	0.28	Fully Assembled
EWR03FD-72-72-72	72	-	72	-	72	200,000 BTUH	4000	250	0.14	Fully Assembled
EWR03FD-72-72-96	72	-	72	-	96	200,000 BTUH	5500	250	0.14	Fully Assembled
EWR03FD-72-96-96	72	-	96	-	96	200,000 BTUH	8000	500	0.28	Fully Assembled
EWR03FD-72-120-96	72	-	120	-	96	200,000 BTUH	9000	500	0.28	Fully Assembled
EWR03ED-84-84-84	84	-	84	-	84	200,000 BTUH	7000	500	0.28	Fully Assembled
EWR03ED-84-96-84	84	-	96	-	84	200,000 BTUH	8000	500	0.28	Fully Assembled
EWR03ED-84-120-84	84	-	120	-	84	400,000 BTUH	10000	500	0.28	Fully Assembled
EWR03ED-84-120-96	84	-	120	-	96	400,000 BTUH	12000	500	0.28	Fully Assembled
EWR03FD-96-96-96	96	-	96	-	96	400,000 BTUH	10000	500	0.28	Fully Assembled
EWR03FD-96-120-96	96	-	120	-	96	400,000 BTUH	12000	500	0.28	Fully Assembled



MODEL	WORKSPACE DIMENSIONS				OVERALL DIMENSIONS		
	IW (in)	ID (in)	IH (in)	DS (in)	OAW (in)	OAD (in)	OAH (in)
EWRO3FD-84-84-84	84	84	84	52	118	168	117
EWRO3FD-84-96-84	84	96	84	52	120	185	118
EWRO3FD-84-120-84	84	120	84	52	124	209	120
EWRO3FD-84-120-96	96	120	96	52	126	218	133
EWRO3FD-96-96-96	96	96	96	58	130	180	132
EWRO3FD-96-120-96	96	120	96	58	132	209	133

SEE SHEET 1 FOR MORE SIZES



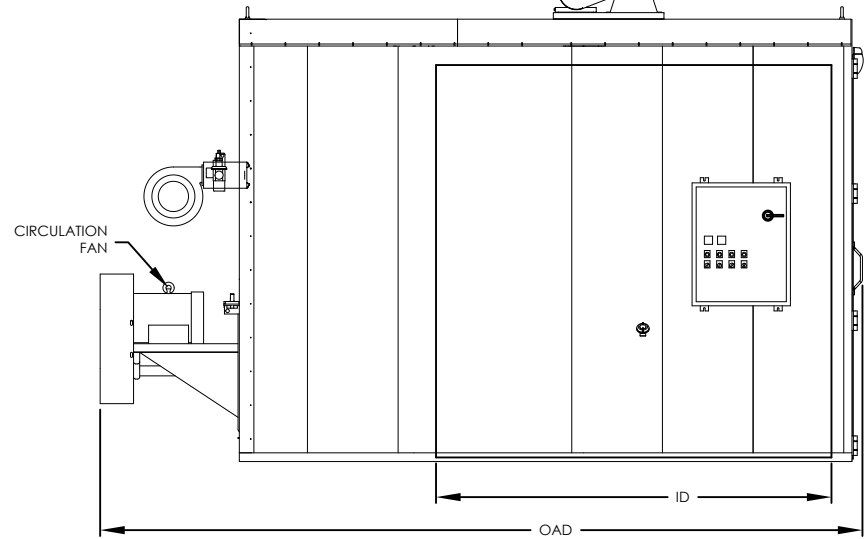
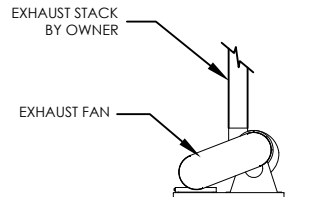
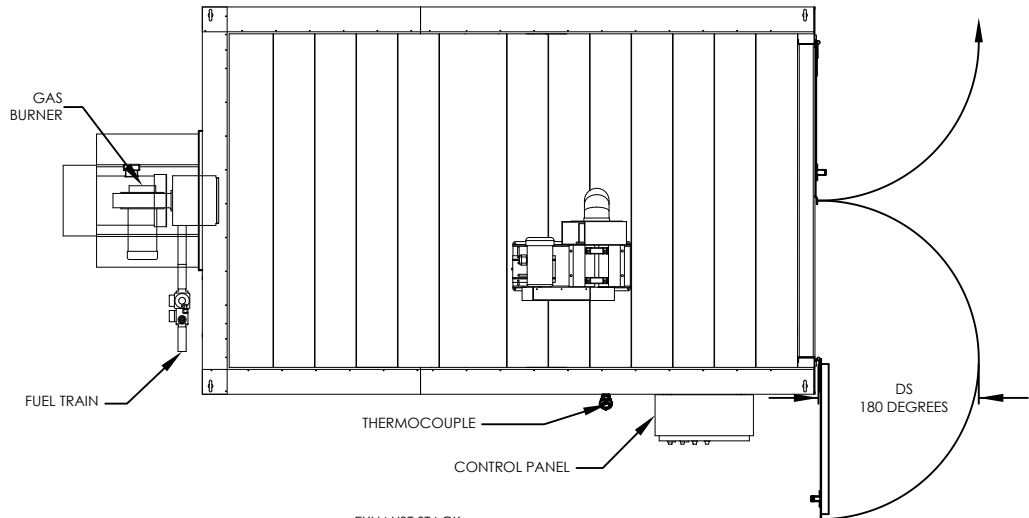
THE NATIONAL FIRE PROTECTION ASSOCIATION'S STANDARD NFPA 86 DOCUMENTS GUIDELINES FOR THE SAFE OPERATION OF OVENS AND FURNACES. THIS STANDARD DEFINES AN OVEN OCCASIONED BY THE PRESENCE OF FLAMMABLE VOLATILES OR COMBUSTIBLE MATERIAL AS "CLASS A" AND FURTHER MANDATES SPECIFIC SAFETY EQUIPMENT ON THESE OVENS TO REDUCE THE RISK OF FIRE OR EXPLOSION. SIMILARLY, OVENS OR FURNACES WHEREIN NO FLAMMABLE VOLATILES OR COMBUSTIBLE MATERIALS ARE PRESENT ARE CONSIDERED "CLASS B". IT IS IMPERATIVE THAT THE USER OF HEAT PROCESSING EQUIPMENT BE KNOWLEDGEABLE REGARDING APPLICATION OF THE EQUIPMENT.

MODEL: EWR03FD
 DESCRIPTION: Enhanced Walk-In Oven, Rear Heater, 350 F, Gas, Dual Air Flow
 DRAWING: EWR03FD SALES

LEWCO, INC. IS COMMITTED TO CONTINUOUS IMPROVEMENT AND RESERVES THE RIGHT TO CHANGE DESIGNS AND SPECIFICATIONS WITHOUT NOTICE.
 THIS DRAWING IS CONFIDENTIAL AND MUST NOT BE COPIED, REPRODUCED OR USED FOR ANY PURPOSE WITHOUT THE WRITTEN CONSENT OF LEWCO, INC. ALL RIGHTS RESERVED.

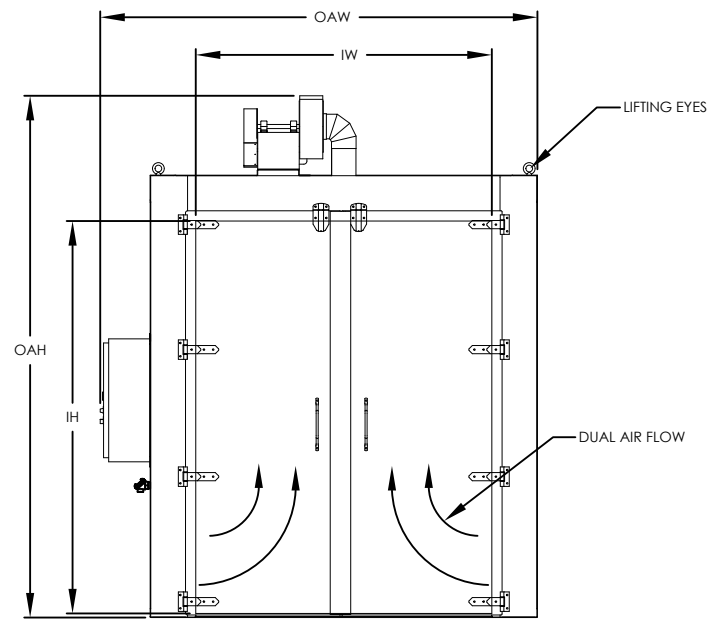
DATE 4/28/2014
 REV 001
 PAGE 2 OF 2





MODEL	WORKSPACE DIMENSIONS				OVERALL DIMENSIONS		
	IW (in)	ID (in)	IH (in)	DS (in)	OAW (in)	OAD (in)	OAH (in)
EWRO3FD-48-48-60	48	48	60	34	78	105	91
EWRO3FD-48-48-72	48	48	72	34	78	105	103
EWRO3FD-48-48-96	48	48	96	34	78	105	127
EWRO3FD-48-72-72	48	72	72	34	78	133	103
EWRO3FD-48-72-96	48	72	96	34	78	133	127
EWRO3FD48-96-72	48	96	72	34	78	157	103
EWRO3FD-48-96-96	48	96	96	34	78	167	129
EWRO3FD-60-60-60	60	60	60	40	90	117	91
EWRO3FD-60-60-72	60	60	72	40	90	121	103
EWRO3FD-60-60-96	60	60	96	40	90	127	127
EWRO3FD-60-72-72	60	72	72	40	90	133	103
EWRO3FD-60-72-96	60	72	96	40	90	143	127
EWRO3FD-60-96-96	60	96	96	40	90	173	129
EWRO3FD-72-72-72	72	72	72	46	102	139	103
EWRO3FD-72-72-96	72	72	96	46	102	149	127
EWRO3FD-72-96-96	72	96	96	46	104	173	129
EWRO3FD-72-120-96	72	120	96	46	106	197	131

SEE SHEET 2 FOR MORE SIZES



THE NATIONAL FIRE PROTECTION ASSOCIATION'S STANDARD NFPA 86 DOCUMENTS GUIDELINES FOR THE SAFE OPERATION OF OVENS AND FURNACES. THIS STANDARD DEFINES AN OVEN OCCASIONED BY THE PRESENCE OF FLAMMABLE VOLATILES OR COMBUSTIBLE MATERIAL AS "CLASS A" AND FURTHER MANDATES SPECIFIC SAFETY EQUIPMENT ON THESE OVENS TO REDUCE THE RISK OF FIRE OR EXPLOSION. SIMILARLY, OVENS OR FURNACES WHEREIN NO FLAMMABLE VOLATILES OR COMBUSTIBLE MATERIALS ARE PRESENT ARE CONSIDERED "CLASS B". IT IS IMPERATIVE THAT THE USER OF HEAT PROCESSING EQUIPMENT BE KNOWLEDGEABLE REGARDING APPLICATION OF THE EQUIPMENT.

MODEL: EWR03FD
 DESCRIPTION: Enhanced Walk-In Oven, Rear Heater, 350 F, Gas, Dual Air Flow
 DRAWING: EWR03FD SALES

LEWCO, INC. IS COMMITTED TO CONTINUOUS IMPROVEMENT AND RESERVES THE RIGHT TO CHANGE DESIGNS AND SPECIFICATIONS WITHOUT NOTICE.
 THIS DRAWING IS CONFIDENTIAL AND MUST NOT BE COPIED, REPRODUCED OR USED FOR ANY PURPOSE WITHOUT THE WRITTEN CONSENT OF LEWCO, INC. ALL RIGHTS RESERVED.

DATE 4/28/2014
 REV 001
 PAGE 1 OF 2

