



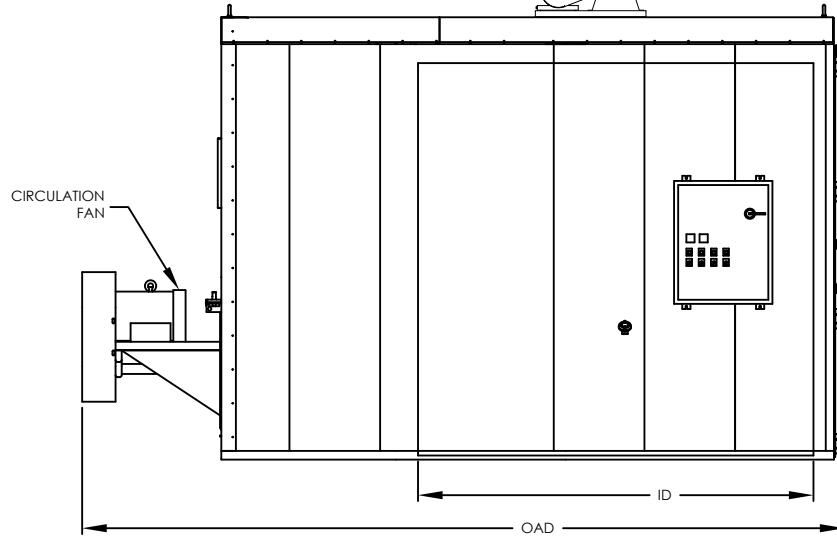
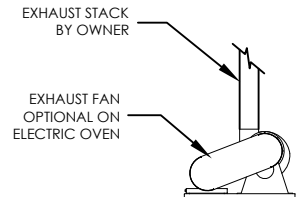
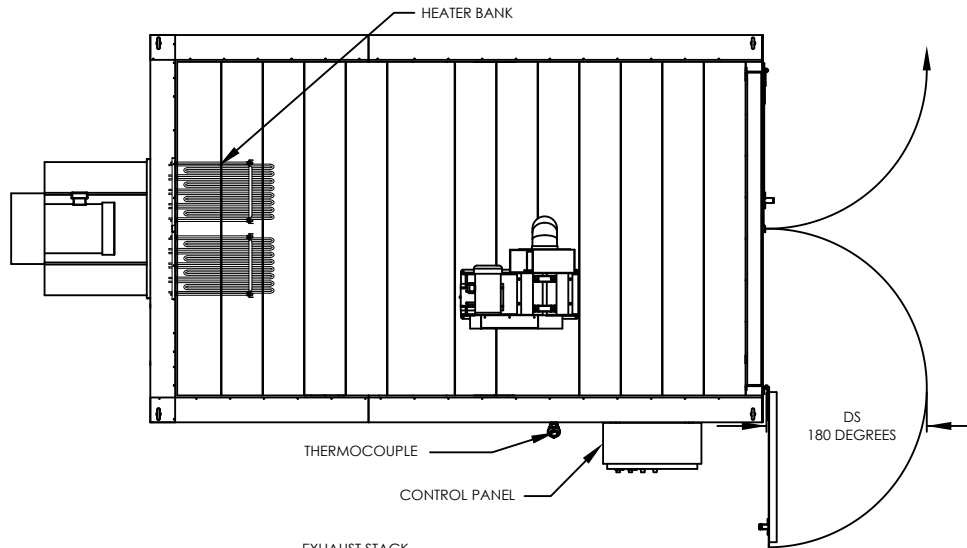
**Enhanced Walk-In Oven, Rear Heater, 350 F, Electric, Dual Air Flow
NFPA Class B**

Model	Workspace Dimensions			Heat Input	Circulating Blower (CFM)	Ships
	"W	"D	"H			
EWR03ED-48-48-60	48	- 48	- 60	36 kW	1700	Fully assembled
EWR03ED-48-48-72	48	- 48	- 72	36 kW	2000	Fully Assembled
EWR03ED-48-48-96	48	- 48	- 96	45 kW	2500	Fully Assembled
EWR03ED-48-72-72	48	- 72	- 72	45 kW	3000	Fully Assembled
EWR03ED-48-72-96	48	- 72	- 96	45 kW	3500	Fully Assembled
EWR03ED-48-96-72	48	- 96	- 72	45 kW	3500	Fully Assembled
EWR03ED-48-96-96	48	- 96	- 96	54 kW	5000	Fully Assembled
EWR03ED-60-60-60	60	- 60	- 60	45 kW	2500	Fully Assembled
EWR03ED-60-60-72	60	- 60	- 72	45 kW	3000	Fully Assembled
EWR03ED-60-60-96	60	- 60	- 96	45 kW	4000	Fully Assembled
EWR03ED-60-72-72	60	- 72	- 72	45 kW	3500	Fully Assembled
EWR03ED-60-72-96	60	- 72	- 96	54 kW	4500	Fully Assembled
EWR03ED-60-96-96	60	- 96	- 96	54 kW	6000	Fully Assembled
EWR03ED-72-72-72	72	- 72	- 72	45 kW	4000	Fully Assembled
EWR03ED-72-72-96	72	- 72	- 96	54 kW	5500	Fully Assembled
EWR03ED-72-96-96	72	- 96	- 96	63 kW	7000	Fully Assembled
EWR03ED-72-120-96	72	- 120	- 96	72 kW	9000	Fully Assembled
EWR03ED-84-84-84	84	- 84	- 84	63 kW	7000	Fully Assembled
EWR03ED-84-96-84	84	- 96	- 84	63 kW	8000	Fully Assembled
EWR03ED-84-120-84	84	- 120	- 84	72 kW	9000	Fully Assembled
EWR03ED-84-120-96	84	- 120	- 96	72 kW	12000	Fully Assembled
EWR03ED-96-96-96	96	- 96	- 96	72 kW	10000	Fully Assembled
EWR03ED-96-120-96	96	- 120	- 96	81 kW	12000	Fully Assembled



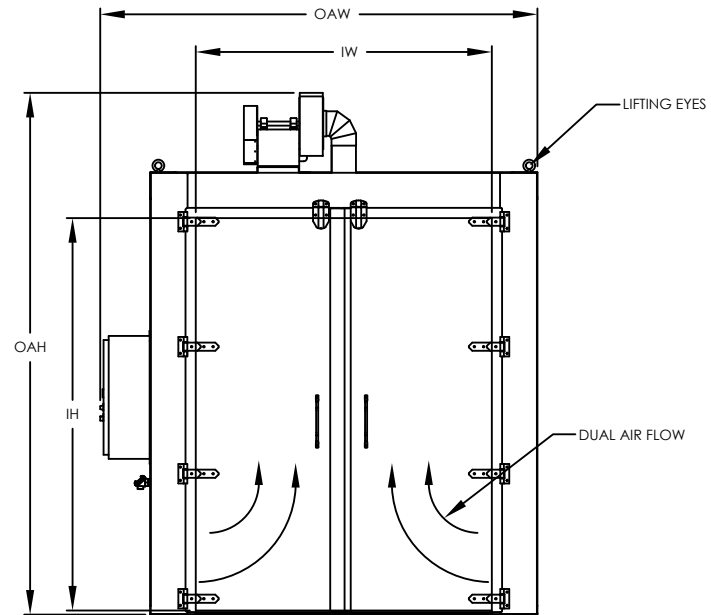
**Enhanced Walk-In Oven, Rear Heater, 350 F, Electric, Dual Air Flow
NFPA Class A**

Model	Workspace Dimensions			Heat Input	Circulating Blower (CFM)	Exhaust (ACFM)	Max. Solvent (Gals. / Batch)	Ships
	"W	"D	"H					
EWR03ED-48-48-60	48	- 48	- 60	36 kW	1700	62	0.06	Fully Assembled
EWR03ED-48-48-72	48	- 48	- 72	45 kW	2000	62	0.06	Fully Assembled
EWR03ED-48-48-96	48	- 48	- 96	45 kW	2500	62	0.06	Fully Assembled
EWR03ED-48-72-72	48	- 72	- 72	45 kW	3000	62	0.06	Fully Assembled
EWR03ED-48-72-96	48	- 72	- 96	54 kW	4000	62	0.06	Fully Assembled
EWR03ED-48-96-72	48	- 96	- 72	54 kW	4000	62	0.06	Fully Assembled
EWR03ED-48-96-96	48	- 96	- 96	54 kW	5000	62	0.06	Fully Assembled
EWR03ED-60-60-60	60	- 60	- 60	45 kW	2500	62	0.06	Fully Assembled
EWR03ED-60-60-72	60	- 60	- 72	45 kW	3000	62	0.06	Fully Assembled
EWR03ED-60-60-96	60	- 60	- 96	54 kW	4000	62	0.06	Fully Assembled
EWR03ED-60-72-72	60	- 72	- 72	54 kW	3500	62	0.06	Fully Assembled
EWR03ED-60-72-96	60	- 72	- 96	54 kW	4500	62	0.06	Fully Assembled
EWR03ED-60-96-96	60	- 96	- 96	63 kW	6000	100	0.10	Fully Assembled
EWR03ED-72-72-72	72	- 72	- 72	54 kW	4000	62	0.06	Fully Assembled
EWR03ED-72-72-96	72	- 72	- 96	63 kW	5500	62	0.06	Fully Assembled
EWR03ED-72-96-96	72	- 96	- 96	72 kW	8000	250	0.10	Fully Assembled
EWR03ED-72-120-96	72	- 120	- 96	72 kW	9000	250	0.10	Fully Assembled
EWR03ED-84-84-84	84	- 84	- 84	63 kW	7000	250	0.10	Fully Assembled
EWR03ED-84-96-84	84	- 96	- 84	72 kW	8000	100	0.10	Fully Assembled
EWR03ED-84-120-84	84	- 120	- 84	90 kW	10000	250	0.25	Fully Assembled
EWR03ED-84-120-96	84	- 120	- 96	90 kW	12000	250	0.25	Fully Assembled
EWR03ED-96-96-96	96	- 96	- 96	90 kW	10000	250	0.25	Fully Assembled
EWR03ED-96-120-96	96	- 120	- 96	99 kW	12000	250	0.25	Fully Assembled



MODEL	WORKSPACE DIMENSIONS				OVERALL DIMENSIONS		
	IW (in)	ID (in)	IH (in)	DS (in)	OAW (in)	OAD (in)	OAH (in)
EWRO3ED-48-48-60	48	48	60	34	78	105	71
EWRO3ED-48-48-72	48	48	72	34	78	105	83
EWRO3ED-48-48-96	48	48	96	34	78	105	107
EWRO3ED-48-72-72	48	72	72	34	78	133	83
EWRO3ED-48-72-96	48	72	96	34	78	133	107
EWRO3ED-48-96-72	48	96	72	34	78	157	83
EWRO3ED-48-96-96	48	96	96	34	78	167	109
EWRO3ED-60-60-60	60	60	60	40	90	117	71
EWRO3ED-60-60-72	60	60	72	40	90	121	83
EWRO3ED-60-60-96	60	60	96	40	90	127	107
EWRO3ED-60-72-72	60	72	72	40	90	133	83
EWRO3ED-60-72-96	60	72	96	40	90	143	107
EWRO3ED-60-96-96	60	96	96	40	90	173	109
EWRO3ED-72-72-72	72	72	72	46	102	139	83
EWRO3ED-72-72-96	72	72	96	46	102	149	107
EWRO3ED-72-96-96	72	96	96	46	104	173	109
EWRO3ED-72-120-96	72	120	96	46	106	197	111

SEE SHEET 2 FOR MORE SIZES



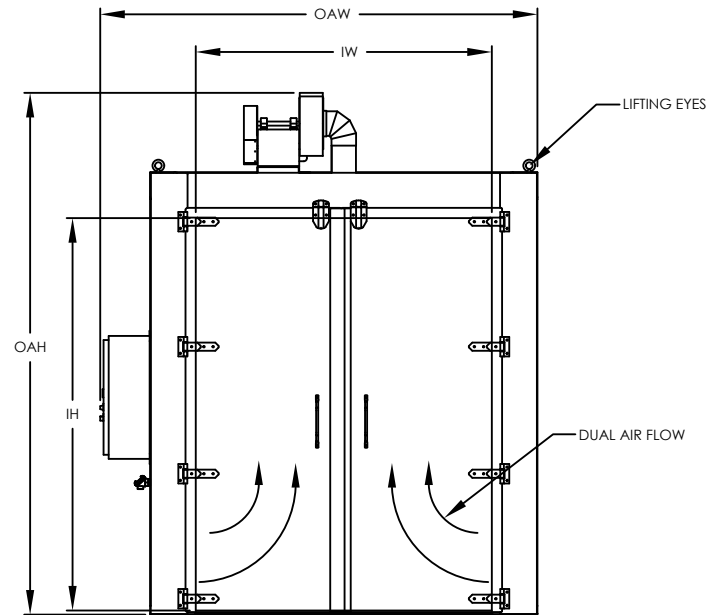
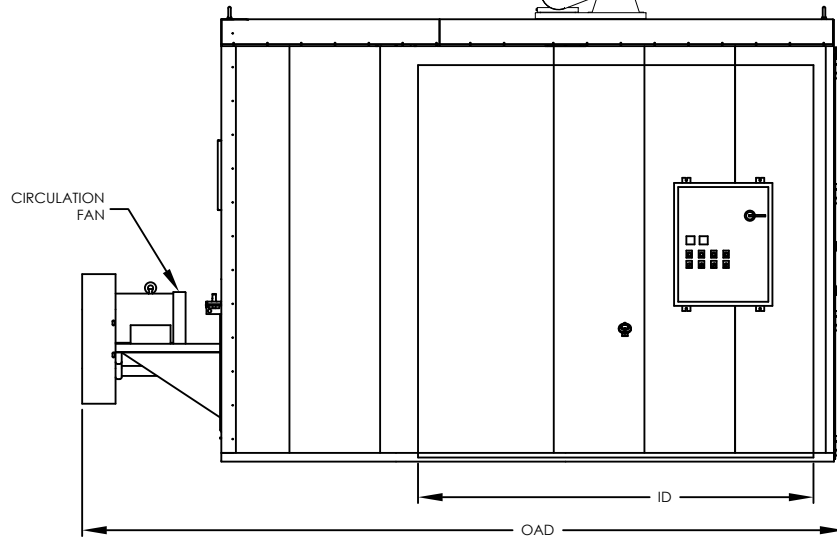
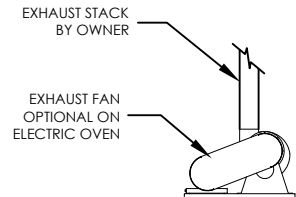
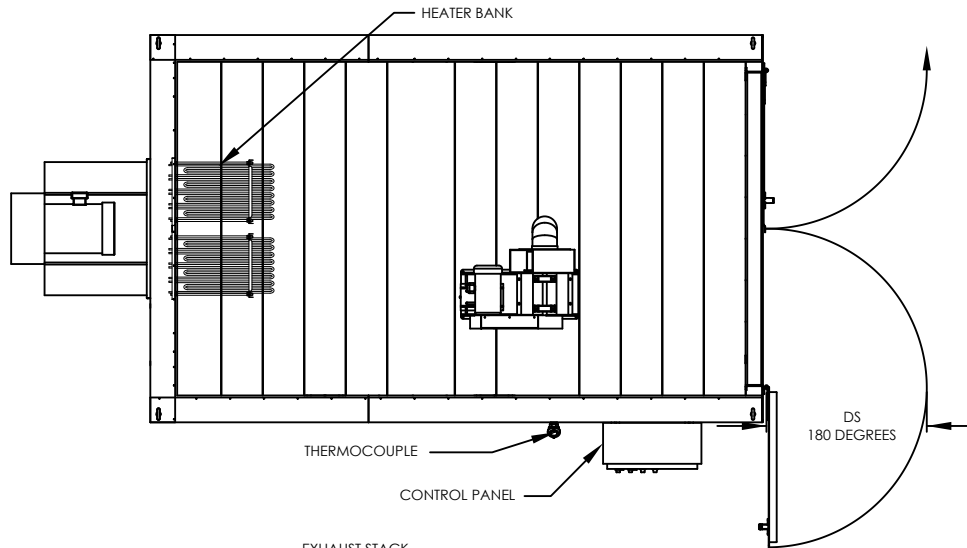
THE NATIONAL FIRE PROTECTION ASSOCIATION'S STANDARD NFPA 86 DOCUMENTS GUIDELINES FOR THE SAFE OPERATION OF OVENS AND FURNACES. THIS STANDARD DEFINES AN OVEN OCCASIONED BY THE PRESENCE OF FLAMMABLE VOLATILES OR COMBUSTIBLE MATERIAL AS "CLASS A" AND FURTHER MANDATES SPECIFIC SAFETY EQUIPMENT ON THESE OVENS TO REDUCE THE RISK OF FIRE OR EXPLOSION. SIMILARLY, OVENS OR FURNACES WHEREIN NO FLAMMABLE VOLATILES OR COMBUSTIBLE MATERIALS ARE PRESENT ARE CONSIDERED "CLASS B". IT IS IMPERATIVE THAT THE USER OF HEAT PROCESSING EQUIPMENT BE KNOWLEDGEABLE REGARDING APPLICATION OF THE EQUIPMENT.

MODEL: EWR03ED
 DESCRIPTION: Enhanced Walk-In Oven, Rear Heater, 350 F, Electric, Dual Air Flow
 DRAWING: EWR03ED SALES

LEWCO, INC. IS COMMITTED TO CONTINUOUS IMPROVEMENT AND RESERVES THE RIGHT TO CHANGE DESIGNS AND SPECIFICATIONS WITHOUT NOTICE.
 THIS DRAWING IS CONFIDENTIAL AND MUST NOT BE COPIED, REPRODUCED OR USED FOR ANY PURPOSE WITHOUT THE WRITTEN CONSENT OF LEWCO, INC. ALL RIGHTS RESERVED.

DATE 4/28/2014
 REV 001
 PAGE 1 OF 2





MODEL	WORKSPACE DIMENSIONS				OVERALL DIMENSIONS		
	IW (in)	ID (in)	IH (in)	DS (in)	OAW (in)	OAD (in)	OAH (in)
EWR03ED-84-84-84	84	84	84	52	120	161	98
EWR03ED-84-96-84	84	96	84	52	120	173	98
EWR03ED-84-120-84	84	120	84	52	122	197	99
EWR03ED-84-120-96	84	120	96	52	126	209	113
EWR03ED-96-96-96	96	96	96	58	130	180	109
EWR03ED-96-120-96	96	120	96	58	132	209	110

SEE SHEET 1 FOR MORE SIZES

THE NATIONAL FIRE PROTECTION ASSOCIATION'S STANDARD NFPA 86 DOCUMENTS GUIDELINES FOR THE SAFE OPERATION OF OVENS AND FURNACES. THIS STANDARD DEFINES AN OVEN OCCASIONED BY THE PRESENCE OF FLAMMABLE VOLATILES OR COMBUSTIBLE MATERIAL AS "CLASS A" AND FURTHER MANDATES SPECIFIC SAFETY EQUIPMENT ON THESE OVENS TO REDUCE THE RISK OF FIRE OR EXPLOSION. SIMILARLY, OVENS OR FURNACES WHEREIN NO FLAMMABLE VOLATILES OR COMBUSTIBLE MATERIALS ARE PRESENT ARE CONSIDERED "CLASS B". IT IS IMPERATIVE THAT THE USER OF HEAT PROCESSING EQUIPMENT BE KNOWLEDGEABLE REGARDING APPLICATION OF THE EQUIPMENT.

MODEL: EWR03ED
 DESCRIPTION: Enhanced Walk-In Oven, Rear Heater, 350 F, Electric, Dual Air Flow
 DRAWING: EWR03ED SALES

LEWCO, INC. IS COMMITTED TO CONTINUOUS IMPROVEMENT AND RESERVES THE RIGHT TO CHANGE DESIGNS AND SPECIFICATIONS WITHOUT NOTICE.
 THIS DRAWING IS CONFIDENTIAL AND MUST NOT BE COPIED, REPRODUCED OR USED FOR ANY PURPOSE WITHOUT THE WRITTEN CONSENT OF LEWCO, INC. ALL RIGHTS RESERVED.

DATE 4/28/2014
 REV 001
 PAGE 2 OF 2

