



**Enhanced Walk-In Oven, Rear Heater, 500 F, Fuel Fired, Dual Air Flow
NFPA Class B**

Model	Workspace Dimensions			Heat Input	Circulating Blower (CFM)	Exhaust (ACFM)	Ships		
	"W	"D	"H						
EWR05FD-48-48-60	48	-	48	-	60	200,000 BTUH	1700	100	Fully Assembled
EWR05FD-48-48-72	48	-	48	-	72	200,000 BTUH	2000	100	Fully Assembled
EWR05FD-48-48-96	48	-	48	-	96	200,000 BTUH	2500	100	Fully Assembled
EWR05FD-48-72-72	48	-	72	-	72	200,000 BTUH	3000	100	Fully Assembled
EWR05FD-48-72-96	48	-	72	-	96	200,000 BTUH	4000	100	Fully Assembled
EWR05FD-48-96-72	48	-	96	-	72	200,000 BTUH	4000	100	Fully Assembled
EWR05FD-48-96-96	48	-	96	-	96	200,000 BTUH	5000	100	Fully Assembled
EWR05FD-60-60-60	60	-	60	-	60	200,000 BTUH	2500	100	Fully Assembled
EWR05FD-60-60-72	60	-	60	-	72	200,000 BTUH	3000	100	Fully Assembled
EWR05FD-60-60-96	60	-	60	-	96	200,000 BTUH	4000	100	Fully Assembled
EWR05FD-60-72-72	60	-	72	-	72	200,000 BTUH	3500	100	Fully Assembled
EWR05FD-60-72-96	60	-	72	-	96	200,000 BTUH	4500	100	Fully Assembled
EWR05FD-60-96-96	60	-	96	-	96	400,000 BTUH	6000	100	Fully Assembled
EWR05FD-72-72-72	72	-	72	-	72	200,000 BTUH	4000	100	Fully Assembled
EWR05FD-72-72-96	72	-	72	-	96	200,000 BTUH	5500	100	Fully Assembled
EWR05FD-72-96-96	72	-	96	-	96	400,000 BTUH	8000	250	Fully Assembled
EWR05FD-72-120-96	72	-	120	-	96	400,000 BTUH	9000	250	Fully Assembled
EWR05FD-84-84-84	84	-	84	-	84	400,000 BTUH	7000	250	Fully Assembled
EWR05FD-84-96-84	84	-	96	-	84	400,000 BTUH	8000	250	Fully Assembled
EWR05FD-84-120-84	84	-	120	-	84	400,000 BTUH	10000	250	Fully Assembled
EWR05FD-84-120-96	84	-	120	-	96	400,000 BTUH	12000	250	Fully Assembled
EWR05FD-96-96-96	96	-	96	-	96	400,000 BTUH	10000	250	Fully Assembled
EWR05FD-96-120-96	96	-	120	-	96	700,000 BTUH	12000	250	Fully Assembled
EWR05D-96-144-96	96	-	144	-	96	700,000 BTUH	16000	500	Fully Assembled
EWR05FD-96-168-96	96	-	168	-	96	700,000 BTUH	18000	500	Fully Assembled
EWR05FD-120-120-96	120	-	120	-	96	700,000 BTUH	16000	500	Field Assembly Required
EWR05FD-120-144-96	120	-	144	-	96	700,000 BTUH	18000	500	Field Assembly Required
EWR05FD-120-168-96	120	-	168	-	96	700,000 BTUH	22000	500	Field Assembly Required
EWR05D-120-120-120	120	-	120	-	120	700,000 BTUH	20000	500	Field Assembly Required
EWR05FD-120-144-120	120	-	144	-	120	700,000 BTUH	24000	500	Field Assembly Required
EWR05FD-120-168-120	120	-	168	-	120	700,000 BTUH	26000	500	Field Assembly Required

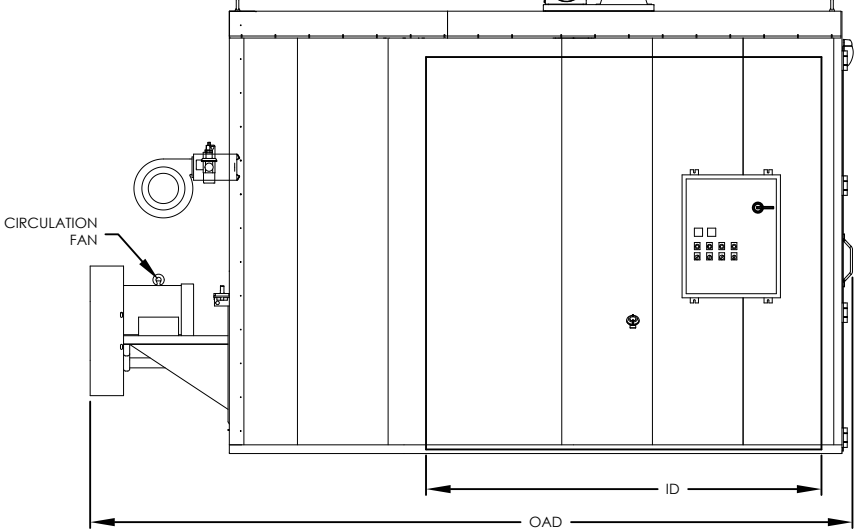
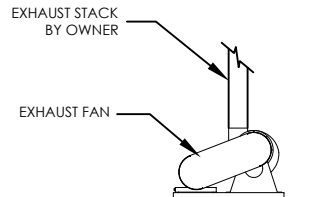
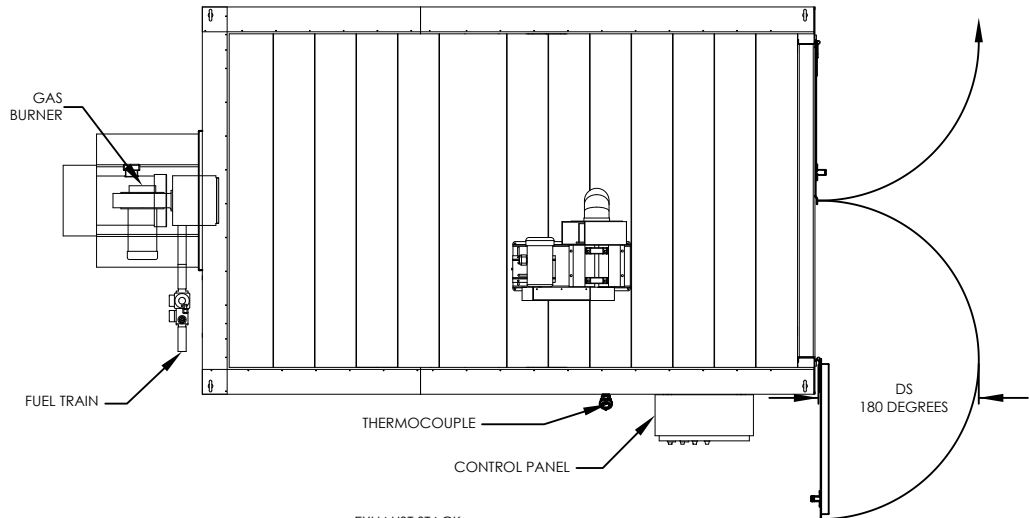


Enhanced Walk-In Oven, Rear Heater, 500 F, Fuel Fired, Dual Air Flow

NFPA Class A

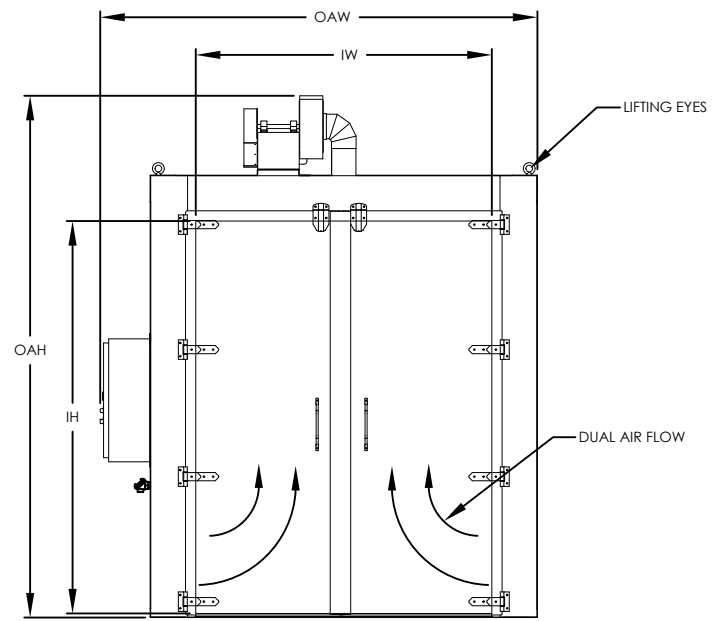
Model	Workspace Dimensions			Heat Input	Circulating Blower (CFM)	Exhaust (ACFM)	Max. Solvent (Gals. / Batch)	Ships		
	"W	"D	"H							
EWR05FD-48-48-60	48	-	48	-	60	200,000 BTUH	1700	250	0.14	Fully Assembled
EWR05FD-48-48-72	48	-	48	-	72	200,000 BTUH	2000	250	0.14	Fully Assembled
EWR05FD-48-48-96	48	-	48	-	96	200,000 BTUH	2500	250	0.14	Fully Assembled
EWR05FD-48-72-72	48	-	72	-	72	200,000 BTUH	3000	250	0.14	Fully Assembled
EWR05FD-48-72-96	48	-	72	-	96	200,000 BTUH	4000	250	0.14	Fully Assembled
EWR05FD-48-96-72	48	-	96	-	72	200,000 BTUH	4000	250	0.14	Fully Assembled
EWR05FD-48-96-96	48	-	96	-	96	200,000 BTUH	5000	250	0.14	Fully Assembled
EWR05FD-60-60-60	60	-	60	-	60	200,000 BTUH	2500	250	0.14	Fully Assembled
EWR05FD-60-60-72	60	-	60	-	72	200,000 BTUH	3000	250	0.14	Fully Assembled
EWR05FD-60-60-96	60	-	60	-	96	200,000 BTUH	4000	250	0.14	Fully Assembled
EWR05FD-60-72-72	60	-	72	-	72	200,000 BTUH	3500	250	0.14	Fully Assembled
EWR05FD-60-72-96	60	-	72	-	96	200,000 BTUH	4500	250	0.14	Fully Assembled
EWR05FD-60-96-96	60	-	96	-	96	400,000 BTUH	6000	500	0.28	Fully Assembled
EWR05FD-72-72-72	72	-	72	-	72	200,000 BTUH	4000	250	0.14	Fully Assembled
EWR05FD-72-72-96	72	-	72	-	96	200,000 BTUH	5500	250	0.14	Fully Assembled
EWR05FD-72-96-96	72	-	96	-	96	200,000 BTUH	8000	500	0.28	Fully Assembled
EWR05FD-72-120-96	72	-	120	-	96	400,000 BTUH	9000	500	0.28	Fully Assembled
EWR05FD-84-84-84	84	-	84	-	84	400,000 BTUH	7000	500	0.28	Fully Assembled
EWR05FD-84-96-84	84	-	96	-	84	400,000 BTUH	8000	500	0.28	Fully Assembled
EWR05FD-84-120-84	84	-	120	-	84	400,000 BTUH	10000	500	0.28	Fully Assembled
EWR05FD-84-120-96	84	-	120	-	96	400,000 BTUH	12000	500	0.28	Fully Assembled
EWR05FD-96-96-96	96	-	96	-	96	400,000 BTUH	10000	500	0.28	Fully Assembled
EWR05FD-96-120-96	96	-	120	-	96	700,000 BTUH	12000	500	0.28	Fully Assembled
EWR05D-96-144-96	96	-	144	-	96	700,000 BTUH	16000	1000	0.6	Fully Assembled
EWR05FD-96-168-96	96	-	168	-	96	700,000 BTUH	18000	1000	0.6	Fully Assembled
EWR05FD-120-120-96	120	-	120	-	96	700,000 BTUH	16000	1000	0.6	Field Assembly Required
EWR05FD-120-144-96	120	-	144	-	96	700,000 BTUH	18000	1000	0.6	Field Assembly Required
EWR05FD-120-168-96	120	-	168	-	96	700,000 BTUH	22000	1000	0.6	Field Assembly Required
EWR05D-120-120-120	120	-	120	-	120	700,000 BTUH	20000	1000	0.6	Field Assembly Required
EWR05FD-120-144-120	120	-	144	-	120	700,000 BTUH	24000	1000	0.6	Field Assembly Required
EWR05FD-120-168-120	120	-	168	-	120	700,000 BTUH	26000	1000	0.6	Field Assembly Required





MODEL	WORKSPACE DIMENSIONS				OVERALL DIMENSIONS		
	IW (in)	ID (in)	IH (in)	DS (in)	OAW (in)	OAD (in)	OAH (in)
EWRO5FD-48-48-60	48	48	60	34	78	105	71
EWRO5FD-48-48-72	48	48	72	34	78	105	83
EWRO5FD-48-48-96	48	48	96	34	78	105	107
EWRO5FD-48-72-72	48	72	72	34	78	133	83
EWRO5FD-48-72-96	48	72	96	34	78	133	107
EWRO5FD-48-96-72	48	96	72	34	78	157	83
EWRO5FD-48-96-96	48	96	96	34	78	163	109
EWRO5FD-60-60-60	60	60	60	40	90	117	71
EWRO5FD-60-60-72	60	60	72	40	90	121	83
EWRO5FD-60-60-96	60	60	96	40	90	127	107
EWRO5FD-60-72-72	60	72	72	40	90	133	83
EWRO5FD-60-72-96	60	72	96	40	90	139	107
EWRO5FD-60-96-96	60	96	96	40	90	169	109
EWRO5FD-72-72-72	72	72	72	46	102	139	83
EWRO5FD-72-72-96	72	72	96	46	102	145	107
EWRO5FD-72-96-96	72	96	96	46	104	173	109
EWRO5FD-72-120-96	72	120	96	46	106	197	111

SEE SHEET 2 FOR MORE SIZES



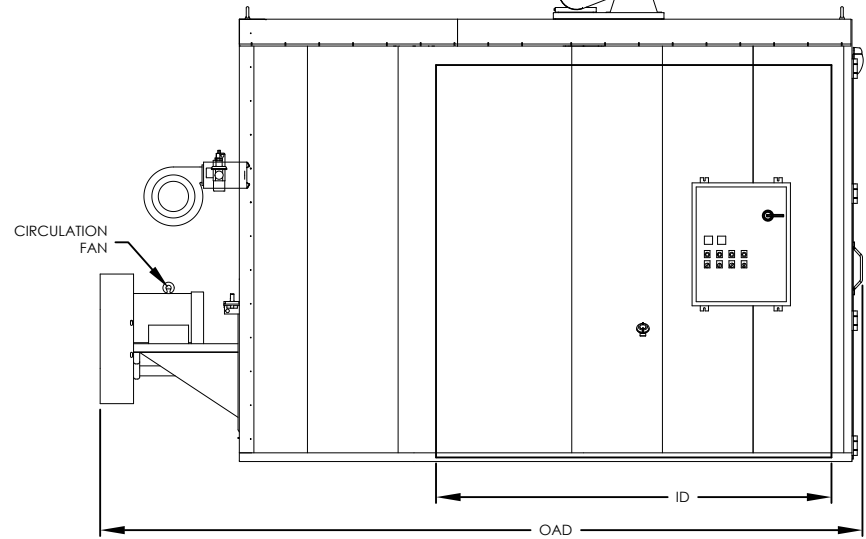
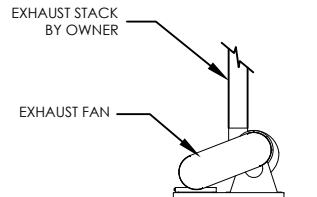
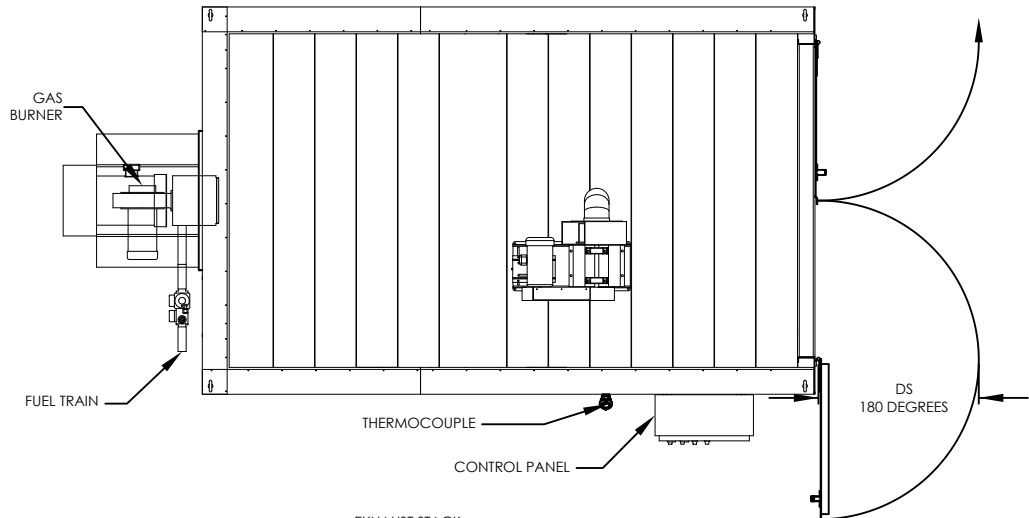
THE NATIONAL FIRE PROTECTION ASSOCIATION'S STANDARD NFPA 86 DOCUMENTS GUIDELINES FOR THE SAFE OPERATION OF OVENS AND FURNACES. THIS STANDARD DEFINES AN OVEN OCCASIONED BY THE PRESENCE OF FLAMMABLE VOLATILES OR COMBUSTIBLE MATERIAL AS "CLASS A" AND FURTHER MANDATES SPECIFIC SAFETY EQUIPMENT ON THESE OVENS TO REDUCE THE RISK OF FIRE OR EXPLOSION. SIMILARLY, OVENS OR FURNACES WHEREIN NO FLAMMABLE VOLATILES OR COMBUSTIBLE MATERIALS ARE PRESENT ARE CONSIDERED "CLASS B". IT IS IMPERATIVE THAT THE USER OF HEAT PROCESSING EQUIPMENT BE KNOWLEDGEABLE REGARDING APPLICATION OF THE EQUIPMENT.

MODEL: EWR05FD
 DESCRIPTION: Enhanced Walk-In Oven, Rear Heater, 500 F, Gas, Dual Air Flow
 DRAWING: EWR05FD SALES

LEWCO, INC. IS COMMITTED TO CONTINUOUS IMPROVEMENT AND RESERVES THE RIGHT TO CHANGE DESIGNS AND SPECIFICATIONS WITHOUT NOTICE.
 THIS DRAWING IS CONFIDENTIAL AND MUST NOT BE COPIED, REPRODUCED OR USED FOR ANY PURPOSE WITHOUT THE WRITTEN CONSENT OF LEWCO, INC. ALL RIGHTS RESERVED.

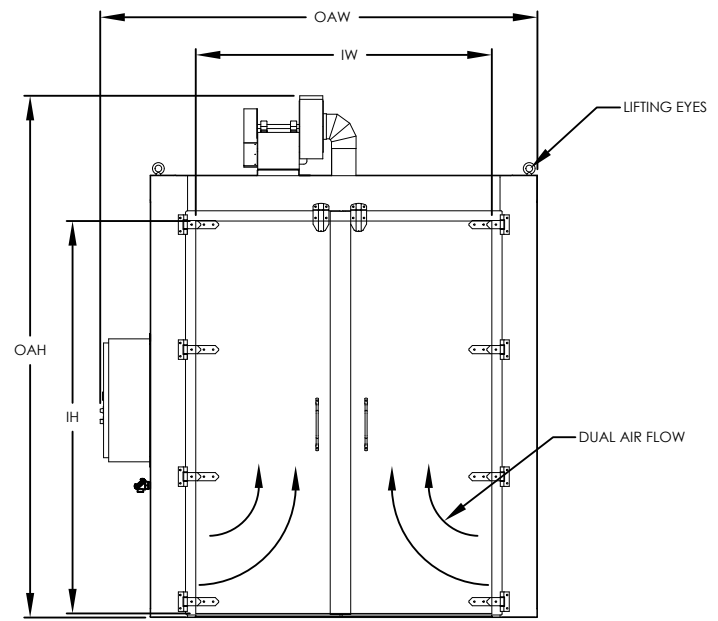
DATE 4/30/2014
 REV 001
 PAGE 1 OF 2





MODEL	WORKSPACE DIMENSIONS				OVERALL DIMENSIONS		
	IW (in)	ID (in)	IH (in)	DS (in)	OAW (in)	OAD (in)	OAH (in)
EWRO5FD-84-84-84	84	84	84	52	118	161	117
EWRO5FD-84-96-84	84	96	84	52	120	173	118
EWRO5FD-84-120-84	84	120	84	52	124	197	120
EWRO5FD-84-120-96	96	120	96	52	126	204	133
EWRO5FD-96-96-96	96	96	96	58	130	177	109
EWRO5FD-96-120-96	96	120	96	58	132	205	110
EWRO5FD-96-144-96	96	144	96	58	136	229	112
EWRO5FD-96-168-96	96	168	96	58	138	262	113
EWRO5FD-120-120-96	120	120	96	70	160	210	112
EWRO5FD-120-144-96	120	144	96	70	162	238	113
EWRO5FD-120-168-96	120	168	96	70	166	273	115
EWRO5FD-120-120-120	120	120	120	70	162	214	139
EWRO5FD-120-144-120	120	144	120	70	166	249	141
EWRO5FD-120-168-120	120	168	120	70	166	276	143

SEE SHEET 1 FOR MORE SIZES



THE NATIONAL FIRE PROTECTION ASSOCIATION'S STANDARD NFPA 86 DOCUMENTS GUIDELINES FOR THE SAFE OPERATION OF OVENS AND FURNACES. THIS STANDARD DEFINES AN OVEN OCCASIONED BY THE PRESENCE OF FLAMMABLE VOLATILES OR COMBUSTIBLE MATERIAL AS "CLASS A" AND FURTHER MANDATES SPECIFIC SAFETY EQUIPMENT ON THESE OVENS TO REDUCE THE RISK OF FIRE OR EXPLOSION. SIMILARLY, OVENS OR FURNACES WHEREIN NO FLAMMABLE VOLATILES OR COMBUSTIBLE MATERIALS ARE PRESENT ARE CONSIDERED "CLASS B". IT IS IMPERATIVE THAT THE USER OF HEAT PROCESSING EQUIPMENT BE KNOWLEDGEABLE REGARDING APPLICATION OF THE EQUIPMENT.

MODEL: EWR05FD
 DESCRIPTION: Enhanced Walk-In Oven, Rear Heater, 500 F, Gas, Dual Air Flow
 DRAWING: EWR05FD SALES

LEWCO, INC. IS COMMITTED TO CONTINUOUS IMPROVEMENT AND RESERVES THE RIGHT TO CHANGE DESIGNS AND SPECIFICATIONS WITHOUT NOTICE.
 THIS DRAWING IS CONFIDENTIAL AND MUST NOT BE COPIED, REPRODUCED OR USED FOR ANY PURPOSE WITHOUT THE WRITTEN CONSENT OF LEWCO, INC. ALL RIGHTS RESERVED.

DATE 4/30/2014
 REV 001
 PAGE 2 OF 2

