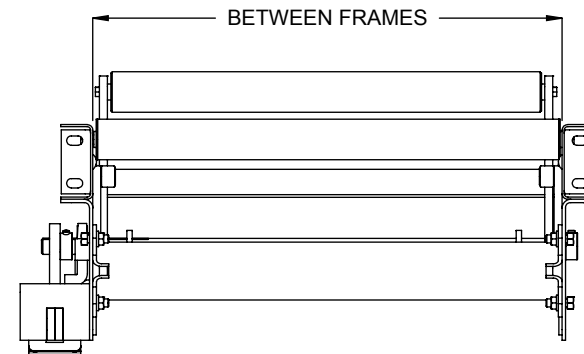
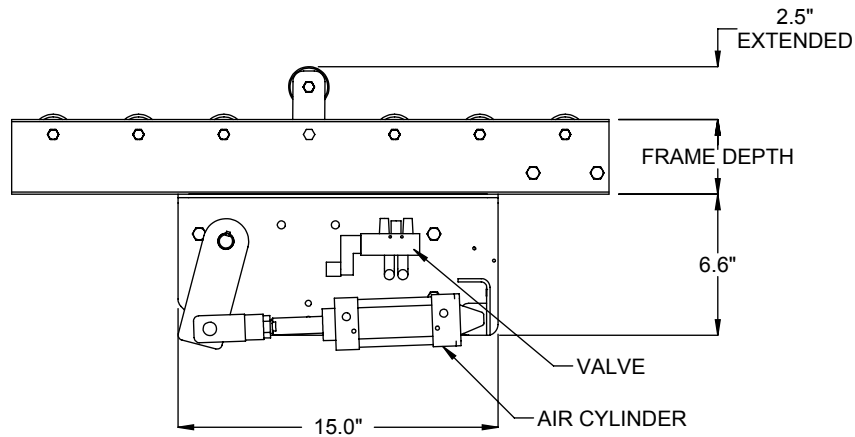
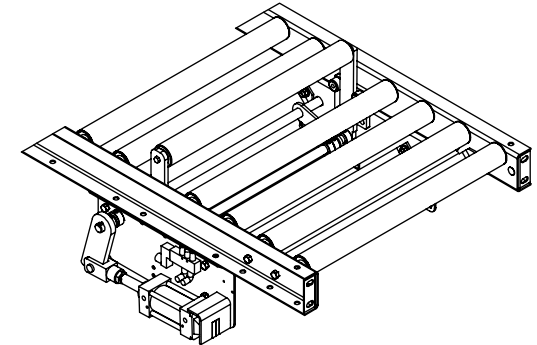


LOAD CAPACITY: 50 LB. MAXIMUM CAPACITY USED AS A PACKAGE HANDLING STOP.  
CONSULT FACTORY FOR OTHER USES. NOT SUITABLE FOR SEVERE IMPACT LOADING.



### SPECIFICATIONS

**BETWEEN FRAMES:** 13" - 51"

**FRAME DEPTH:** 3.5" - 10"

**STOP:** Standard Roller 1.9" dia., 12 ga. wall tubes with 7/16 hex cold rolled steel axles, spring retained. Optional 3/8" flat bar stop.

**CYLINDER:** Double acting 2" bore x 2" stroke pneumatic cylinder.

**OPERATION:** Extending the cylinder engages the escapement stop.

**AIR REQUIREMENTS:** Standard requires 30-40psi of clean, filtered, regulated air at consumption of approximately 0.005 cubic feet per stroke. Optional filter/regulator/lubricator available.

**VALVE:** 24VDC, single solenoid, 2 position, spring return.

**FINISH:** Standard finish is OSHA safety orange powder.

**Model:** PCS19 - Pneumatic Conveyor Stops

REV

0

