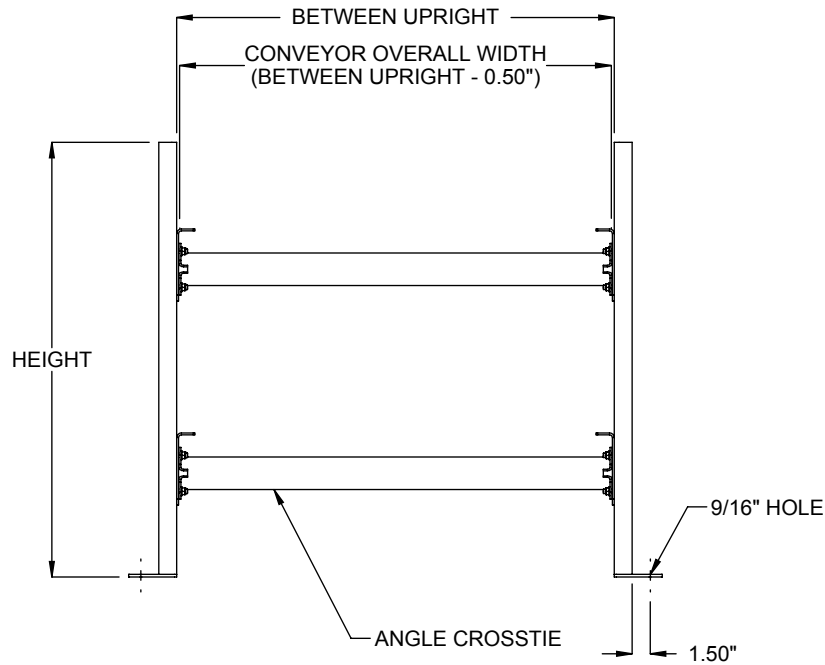
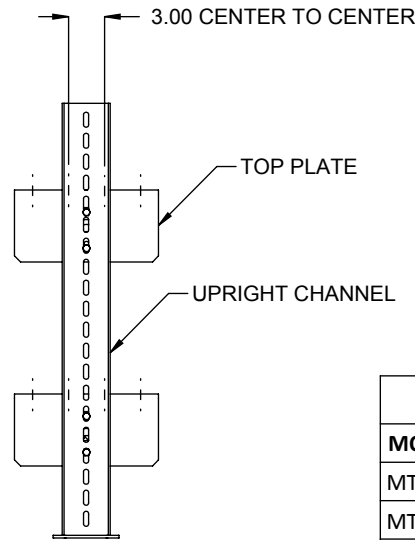


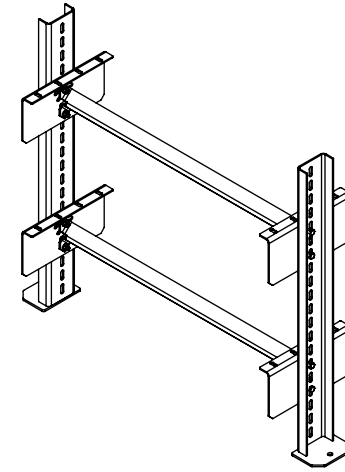
**LOAD CAPACITY: 2500 LB. MAXIMUM DISTRIBUTED LOAD FOR ONE CROSSTIE UP TO 48" BETWEEN UPRIGHTS.**



**FRONT VIEW**



**SIDE VIEW**



**MTW: HEIGHT RANGE**

| MODEL | MIN. | MAX.  | MODEL | MIN. | MAX.  | MODEL  | MIN. | MAX.   |
|-------|------|-------|-------|------|-------|--------|------|--------|
| MTW21 | 6.5" | 20.5" | MTW51 | 6.5" | 50.5" | MTW81  | 6.5" | 80.5"  |
| MTW27 | 6.5" | 26.5" | MTW57 | 6.5" | 56.5" | MTW87  | 6.5" | 86.5"  |
| MTW33 | 6.5" | 32.5" | MTW63 | 6.5" | 62.5" | MTW93  | 6.5" | 92.5"  |
| MTW39 | 6.5" | 38.5" | MTW69 | 6.5" | 68.5" | MTW99  | 6.5" | 98.5"  |
| MTW45 | 6.5" | 44.5" | MTW75 | 6.5" | 74.5" | MTW105 | 6.5" | 104.5" |

**SPECIFICATIONS**

**OVERALL HEIGHT:** 21", 27", 33", 39", 45", 51", 57", 63", 69", 75", 81", 87", 93", 99", 105"

**BETWEEN UPRIGHT:** 13" - 60"

**NUMBER OF TIERS:** 1, 2, 3, 4, 5

**CONSTRUCTION:** Formed upright channels, 8ga; Bolted angle crosstie, 12ga; Base plate, 4ga.

**TOP PLATE:** Standard 8ga pivot top plate is available where adjustable pitch is required.

**FINISH:** Standard finish is OSHA safety blue powder. Optional colors include green, beige, gray, orange, black and yellow.

**Model: MTW - Multi-Tier Flange Style Support**

REV  
0

