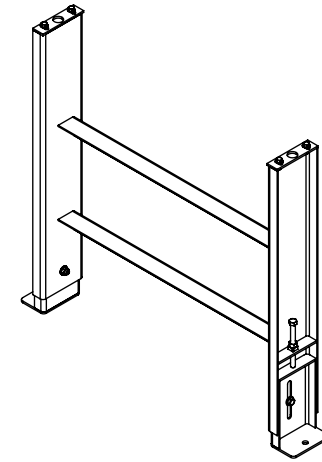
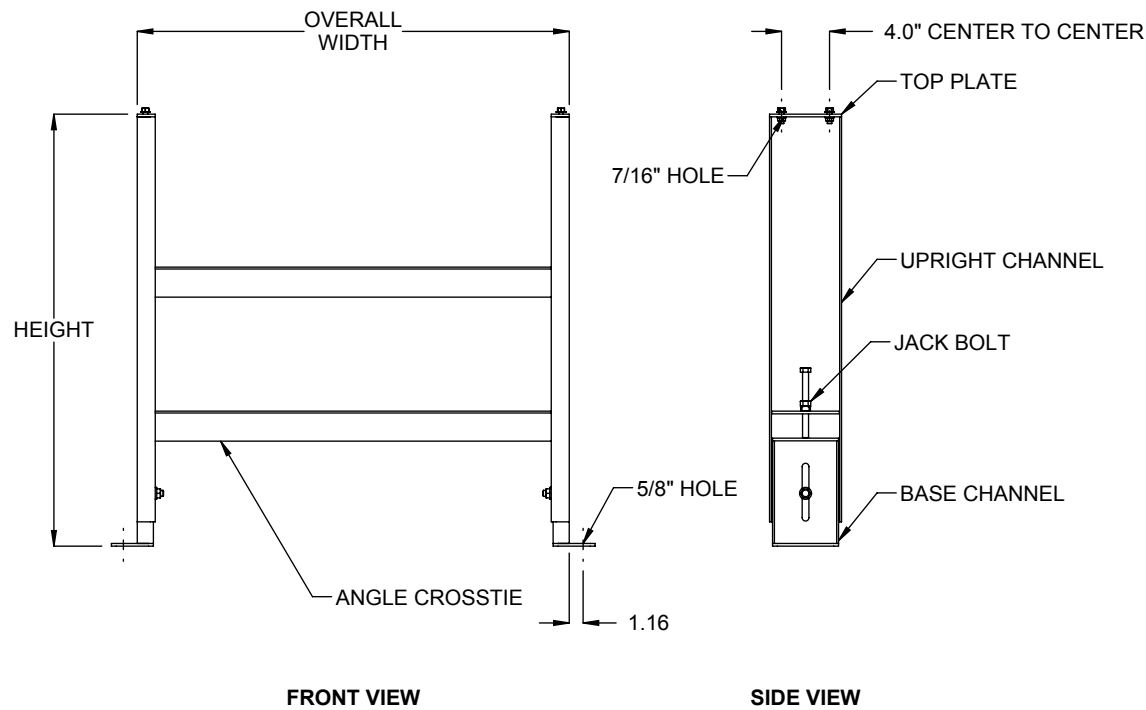


LOAD CAPACITY: UP TO 4000 LBS. MAXIMUM LOAD PER SUPPORT.



SPECIFICATIONS

OVERALL WIDTH: 9" - 93"

HEIGHT: 9" - 84"

HEIGHT ADJUSTMENT: +/- 1" from 9" up to 14" HEIGHT, +/- 2" for 14" and greater HEIGHT.

CONSTRUCTION: Formed 6" wide, 8ga upright channel and formed 5-1/2" wide, 8ga base channel. Welded angle crosstie, 8ga. Base plate, 4ga.

TOP PLATE: Standard 4ga fixed top plate.

FINISH: Standard finish is OSHA safety blue powder. Optional colors include green, beige, gray, orange, black and yellow.

Model: SPJ6 - Support, 6" Formed Channel, Jack Bolt

REV

0

