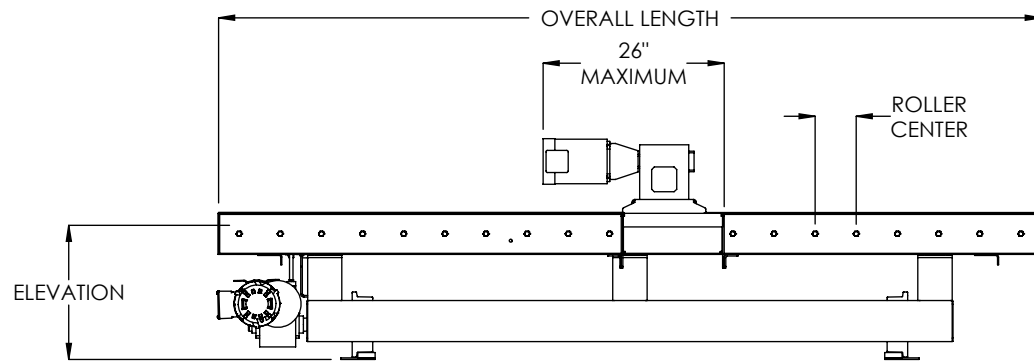
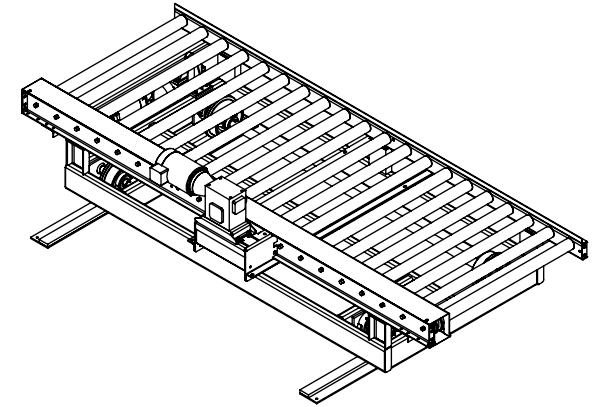
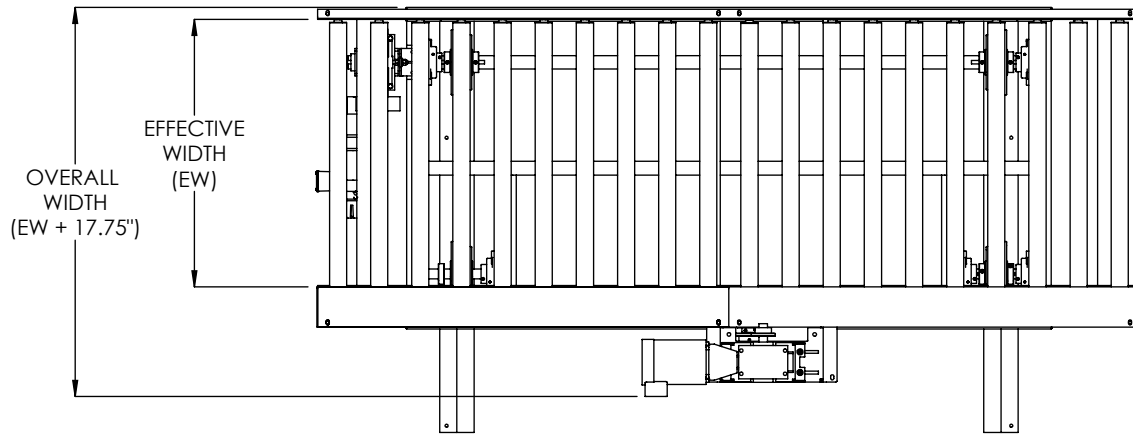


LOAD CAPACITY: 4000 LB MAXIMUM LOAD DISTRIBUTED ON CONVEYOR.



SPECIFICATIONS

EFFECTIVE WIDTH: 36", 42", 48"

ELEVATION: 12" - 48"

LENGTH: 60" - 120"

SPEED: 30, 45, 60 FPM

ROLLER CENTERS: 4", 6"

ROLLERS: PTTCP1912 Roller - 1.9" diameter, 12ga wall tube. PTTCP1909 Roller - 1.9" diameter, 9ga wall tube. All rollers with 7/16" hex cold rolled steel axles, spring retained. Standard bearings for PTTCP1912 are precision, grease packed bearings; for PTTCP1909 are semi-precision, grease packed bearings

MOTOR: 1 HP.

CONVEYOR: Standard is chain driven live roller, 1 HP motor, 10 - 60 FPM speed, 5" channel rail both sides with rollers set low in the frame.

ROLLER SURFACE: Standard roller surface is carbon steel. Optional roller covers includes polyurethane roller sleeves. Optional galvanized roller tube for 12ga roller.

FRAME FINISH: Standard finish is OSHA safety blue powder. Optional colors include green, beige, gray, orange, black and yellow.

Model: PTTCP1912, PTTCP1909 - Pass Thru Transfer Car, Powered

REV

0

