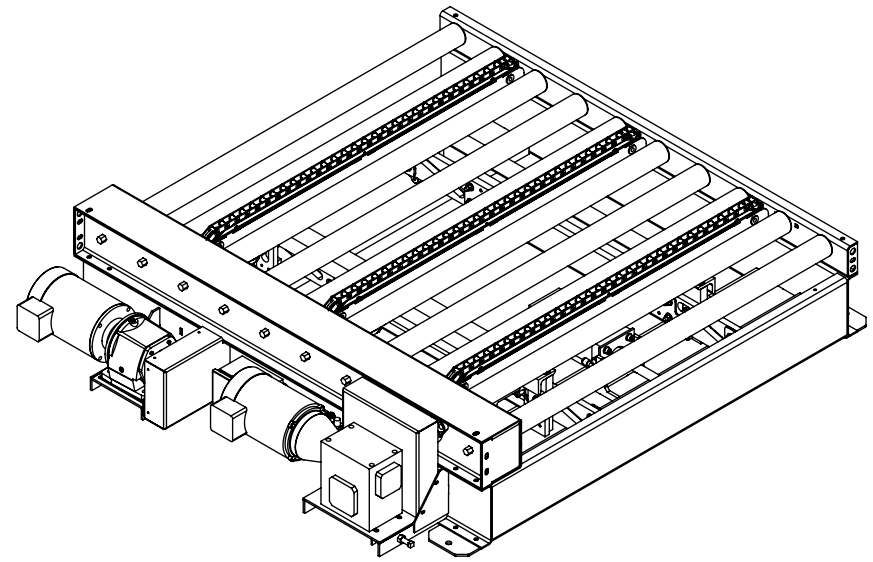


RAISED POSITION



SPECIFICATIONS

EFFECTIVE WIDTH (EW): 31" to 61"	
ELEVATION: 12" top of roller minimum	LENGTH(LG) : 60" to 120"
NUMBER OF STRANDS (NS): 2, 3 or 4	SPEED: 30 - 60 Feet Per Minute
ROLLER CENTERS (RC): 4", 4-1/2", 6"	CHAIN CENTERS (TC): 12" to 48"
MOTOR: 3/4 HP through 1 HP. Energy efficient and inverter duty motors also available. Voltages include 120/1/60, 230/3/60, 460/3/60, 575/3/60 & DC Voltage.	
ROLLER BEARING: Precision ABEC style with 11/16" hexagon axle	
CHAIN: #C60, single pitch flat top conveyor chain, 3/4" pitch	
AIR REQUIREMENTS: Transfer lift is pneumatically actuated, requires approximately 0.10 Ft ³ of 60 PSI air per lift cycle. Includes FLR unit and (2) position double solenoid valve, 120 volt AC or 24 volt DC coils.	
ELECTRICAL REQUIREMENTS: Includes up and down position proximity switches, 20 to 250 volt AC/DC, prewired and terminated in 6" square junction box on outside of conveyor frame. Photo-eye sensor available as option for product detection.	
STOP: Fixed or retractable product stops available as an option	
ROLLER COVER: Standard roller finish is carbon steel. Options for galvanized steel, urethane covers, or Ultrex accumulation sleeves also available	
SUPPORTS: Minimum top of roller elevation is 12", supports available for up to 48" elevation	
FRAME FINISH: Standard finish is OSHA safety blue. Optional colors include green, beige, gray, orange, black and yellow	

Model: T01C25 - Internal Chain Transfer, 1500 pound capacity
 T03C25 - Internal Chain Transfer, 4000 pound capacity

REV

0

