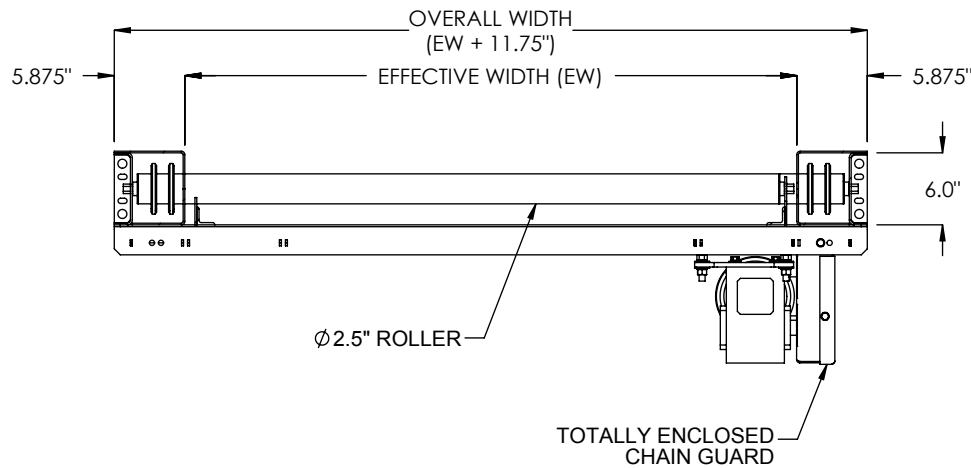


BOTTOM NEAR CENTER



SECTION A-A  
BOTTOM NEAR CENTER

### SPECIFICATIONS

**EFFECTIVE WIDTH:** 12" - 60"

**BEGINNING ELEVATION:** 7" - 120"

**LENGTH:** 48" - 600"

**ENDING ELEVATION:** 7" - 120"

**SPEED:** 10 - 120 FPM

**ROLLER CENTERS:** 3"

**DRIVE:** Standard drive is mounted bottom near center of conveyor length on chainbox side. Optional drives include drive mounted low or drive mounted below and within, near center.

**FRAME:** Standard frame includes 6" formed channel on both chain box side and opposite side with roller set high in frame. Optional frame includes structural 6@8.2# both sides with roller set low.

**MOTOR:** 1/2 HP through 2 HP. Energy efficient and inverter duty motors also available. Voltages include 120/1/60, 230/3/60, 460/3/60 and 575/3/60 & DC Voltage.

**ROLLER BEARING:** Precision, grease packed bearings, 11/16" hexagon axles.

**ROLLER COVERS:** Standard roller surface is carbon steel. Optional roller covers for 2.5" rollers includes galvanized roller tube, polyurethane roller sleeves, Ultrex accumulation sleeves.

**SUPPORT CENTERS:** Standard supports are floor supports on 5' center.

**FRAME FINISH:** Standard finish is OSHA safety blue powder. Optional colors include green, beige, gray, orange, black and yellow.

**Model:** CDDB25, CDDB26 - Chain Driven Live Roller Dual Chain Box Conveyor

REV

0



**LOAD CAPACITY @ 60 FPM (LBS)  
CENTER DRIVE, 3" ROLLER CENTERS, 20 FT LENGTH**

HP	WIDTH		
	12"	36"	60"
1/2	700	200	-
3/4	1900	1450	350
1	2800	2300	1800
1 1/2	4500	4000	3500
2	6200	5700	5250

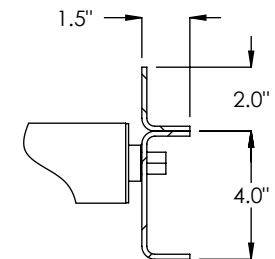
**LOAD CAPACITY @ 30 FPM (LBS)  
CENTER DRIVE, 3" ROLLER CENTERS, 20 FT LENGTH**

HP	WIDTH		
	12"	36"	60"
1/2	2750	2300	1800
3/4	4500	4000	3550
1	6200	5750	5250
1 1/2	11350	10900	10400
2	18600	18100	17600

**RECOMMENDED MAXIMUM CONVEYOR LOAD IS 1000 LBS PER LINEAR FOOT - NOT TO EXCEED CAPACITY ABOVE. FOR HEAVIER LOADS, CONSULT FACTORY.**

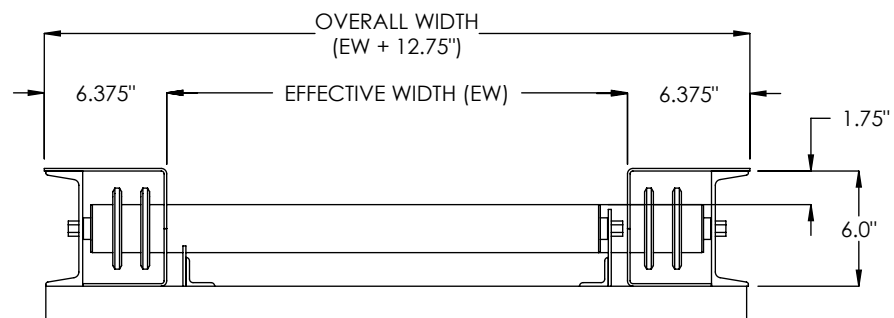
**\* HP requirements will vary for different drive options, conveyor lengths, roller centers, pallet types and chain lubrication conditions. Consult factory.**

**GUARDRAIL OPTION**



**2" x 1-1/2" x 8ga  
BOLT ON CHANNEL**

FRAME OPTIONS:



F17 CHANNEL, 6@8.2#