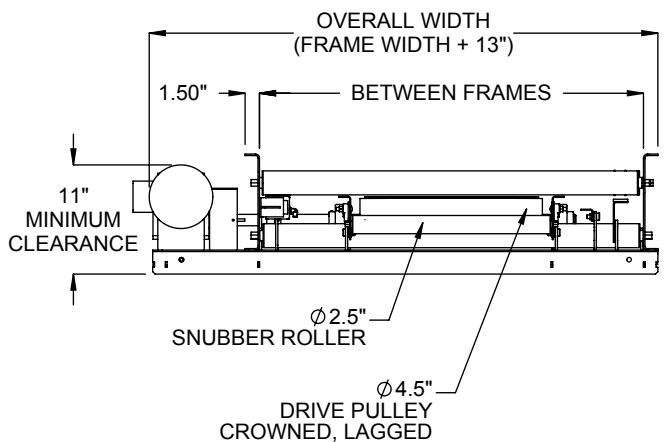
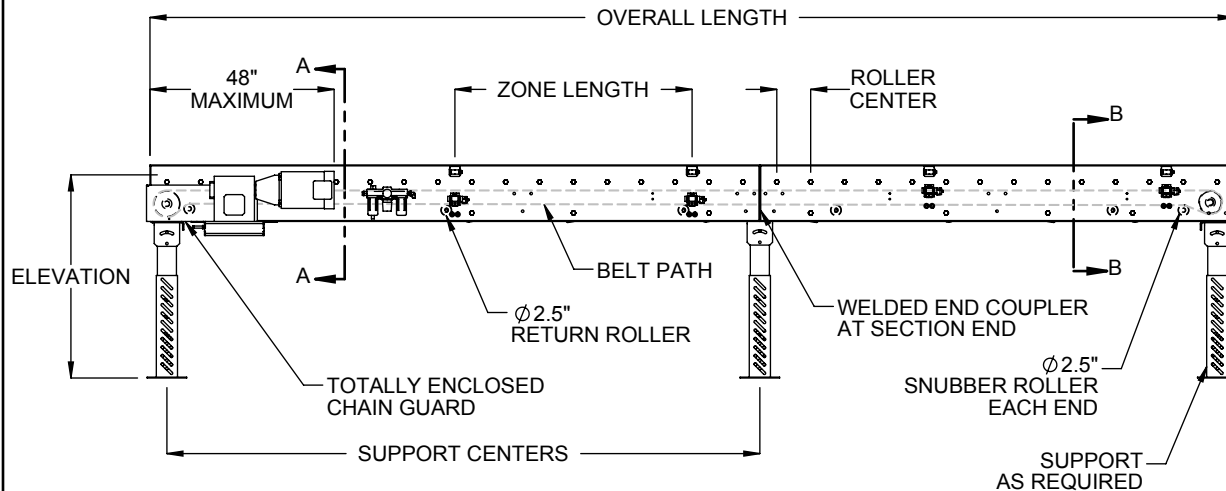
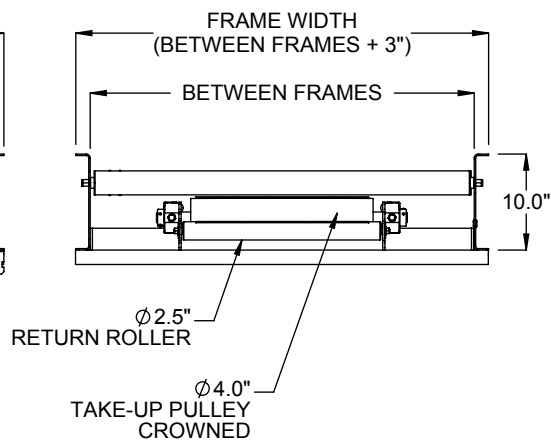


END DRIVE, RIGHT HAND SIDE (SHOWN)  
LEFT HAND SIDE OPPOSITE AS SHOWN



SECTION A-A  
DRIVE END



SECTION B-B  
TAKE-UP END  
TYP ALL DRIVES

SPECIFICATIONS	
<b>BETWEEN FRAMES:</b> 15" - 57"	
<b>BEGINNING ELEVATION:</b> 12" - 108"	<b>LENGTH:</b> 72" - 960"
<b>ENDING ELEVATION:</b> 12" - 108"	<b>SPEED:</b> 10 - 120 FPM
<b>ROLLER CENTERS:</b> 3", 4", 6"	
<b>ROLLERS:</b> ZPLR25 Roller - 2.50" diameter, 11ga wall tubes. ZPLR26 Roller - 2.625" diameter, 7ga wall tubes. All rollers with 11/16" hex cold rolled steel axles, spring retained. <u>Standard</u> bearings are precision, grease packed bearings.	
<b>BELT:</b> <u>Standard</u> belt is Trackmate PVC120 with clipper lace.	
<b>DRIVE:</b> <u>Standard</u> drive is end, right hand side. <u>Optional</u> drives include End drive left hand side or Center drive right hand side	
<b>MOTOR:</b> 1/2 HP through 1-1/2 HP. Energy efficient and inverter duty motors also available. Voltages include 115/1/60, 208/3/60, 230/3/60, 460/3/60 and 575/3/60 & DC Voltage.	
<b>ROLLER SURFACE:</b> <u>Standard</u> roller surface is carbon steel. <u>Optional</u> surface for 2.5" rollers includes galvanized roller tube.	
<b>SUPPORT CENTERS:</b> <u>Standard</u> supports are floor supports on 10' centers. <u>Optional</u> supports on 5' centers. Ceiling supports are also available.	
<b>FRAME FINISH:</b> <u>Standard</u> finish is OSHA safety blue powder. <u>Optional</u> colors include green, beige, gray, orange, black and yellow.	
<b>ACCUMULATION ZONES:</b> Zone length is a multiple of roller center. Recommended zone length is 12" longer than longest product length. <u>Standard</u> zone logic is for cascading accumulation.	
<b>TREAD ROLLER BRAKE:</b> Friction type brake is actuated automatically with zone actuation to prevent coasting of product in the accumulation zones.	
<b>AIR REQUIREMENTS:</b> Requires 40PSI air pressure of clean, filtered air at consumption of approximately 0.05 cubic feet per sensor actuation.	
<b>FILTER REGULATOR:</b> Supplied for main air supply at input, 3/8" NPT port.	
<b>POWER SUPPLY:</b> Includes 24 VDC power supply located near center of conveyor and capable of supplying power for up to 50 zones.	

Model: ZPLR25, ZPLR26 - Zero Pressure Live Roller Conveyor

REV	
0	