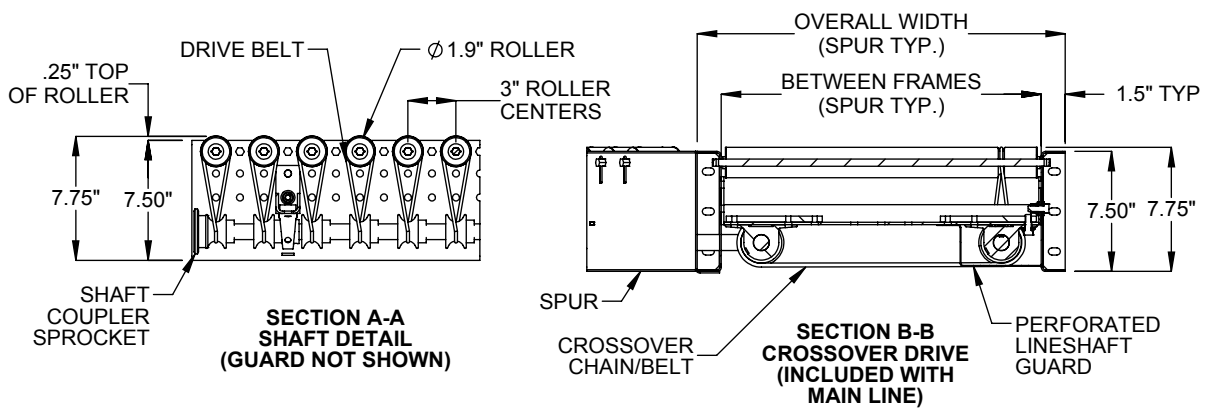
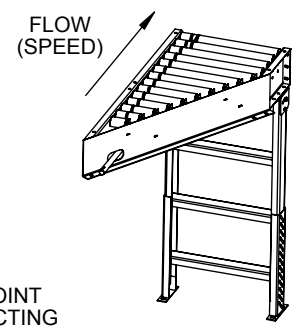


**TOP VIEW
(SEE SHT 2 FOR DIMENSIONS)**

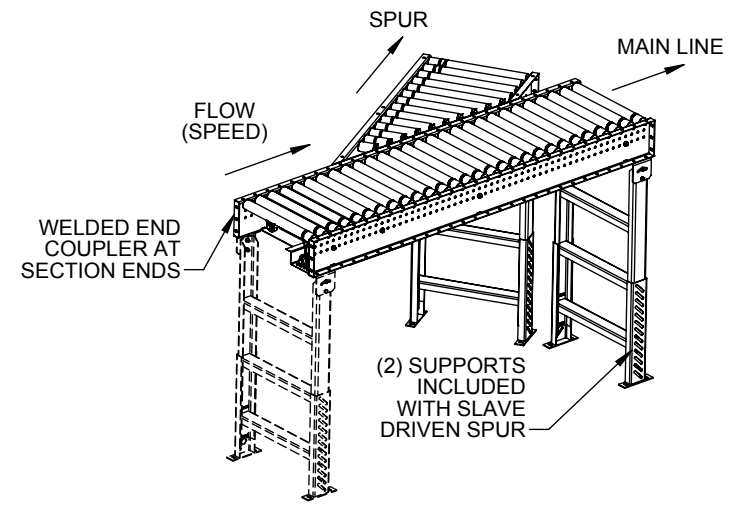


**SECTION A-A
SHAFT DETAIL
(GUARD NOT SHOWN)**

**SECTION B-B
CROSSOVER DRIVE
(INCLUDED WITH
MAIN LINE)**



LSSP19 - SPUR



**LSSPS19 - SPUR WITH MAIN LINE
LEFT HAND SPUR SHOWN**

SPECIFICATIONS

BETWEEN FRAMES: 13" - 39"	
BEGINNING ELEVATION: 12.25" - 126"	LENGTH: See chart on sheet 2
ENDING ELEVATION: Same as beginning elevation. Consult factory for incline/decline applications.	
ROLLER: 1.9" diameter, 16ga tube with 7/16" hex, cold rolled steel axle, spring retained with precision ABEC1 bearings.	
ROLLER CENTERS: 3"	CONVEYOR SPEED: 20 - 180 FPM
DRIVE BELT: Standard belt is 83A, 15 lb. capacity per roller. <u>Optional</u> high tension belt is 85A, 25 lb. capacity per roller. Consult Factory for high tension applications.	
DRIVE: <u>Standard</u> driven by LSDR19, from the conveyor beyond the spur. <u>Optional</u> slave driven from the main conveyor (Option part number LSSPS19).	
ROLLER COVER: <u>Standard</u> galvanized roller.	
FRAME: 7.5" x 1.50" x 12 ga. Standard bolt-on cross members, and welded end couplers.	
SUPPORT CENTERS: <u>Standard</u> supports are two floor supports. <u>Optional</u> ceiling supports are also available.	
FRAME FINISH: <u>Standard</u> finish is OSHA safety blue powder. <u>Optional</u> colors include green, beige, gray, orange, black and yellow.	
ORDER SEPARATELY: Diverter or Plow Arm with low friction face.	

ALL PRODUCT, PRODUCT SPECIFICATIONS AND DATA ARE SUBJECT TO CHANGE WITHOUT NOTICE TO IMPROVE RELIABILITY, FUNCTION OR DESIGN OR OTHERWISE.

Model: LSSP19, LSSPS19 - Line Shaft Spur

SPUR DIMENSIONS								TOTAL HORSEPOWER (Mainline, Spur, and Connecting Shaft)					
BETWEEN FRAMES	OVERALL WIDTH	"L"	"S"	"C"	"D"	"E"	"F"	30 FPM	45 FPM	60 FPM	90 FPM	120 FPM	150 FPM
15.00"	18.00"	84.00"	40.56"	38.28"	35.13"	20.28"	12.49"	0.08	0.12	0.16	0.25	0.33	0.41
17.00"	20.00"	84.00"	44.03"	42.02"	38.13"	22.02"	13.36"	0.08	0.13	0.17	0.25	0.34	0.42
19.00"	22.00"	84.00"	47.50"	45.75"	41.14"	23.75"	14.22"	0.09	0.13	0.17	0.26	0.34	0.43
21.00"	24.00"	84.00"	50.66"	49.33"	43.87"	25.33"	14.94"	0.09	0.13	0.18	0.26	0.35	0.44
23.00"	26.00"	96.00"	54.56"	53.28"	47.25"	27.28"	16.02"	0.10	0.14	0.19	0.29	0.39	0.48
25.00"	28.00"	96.00"	57.91"	56.95"	50.15"	28.95"	16.83"	0.10	0.15	0.20	0.30	0.39	0.49
27.00"	30.00"	96.00"	61.38"	60.69"	53.15"	30.69"	17.70"	0.10	0.15	0.20	0.30	0.40	0.50
31.00"	34.00"	108.00"	68.28"	68.14"	59.13"	34.14"	19.42"	0.11	0.17	0.22	0.33	0.44	0.55
33.00"	36.00"	108.00"	71.75"	71.88"	62.14"	35.88"	20.29"	0.11	0.17	0.22	0.34	0.45	0.56
37.00"	40.00"	120.00"	78.56"	79.28"	68.04"	39.28"	21.96"	0.12	0.18	0.25	0.37	0.49	0.61
39.00"	42.00"	120.00"	82.16"	83.08"	71.15"	41.08"	22.89"	0.12	0.19	0.25	0.37	0.50	0.62

ALL PRODUCT, PRODUCT SPECIFICATIONS AND DATA ARE SUBJECT TO CHANGE WITHOUT NOTICE TO IMPROVE RELIABILITY, FUNCTION OR DESIGN OR OTHERWISE.

Model: LSSP19, LSSPS19 - Line Shaft Spur

REV

2

