

HP	"D" MAX.
1/3, 1/2, 3/4, 1	28"
1 1/2	31"
2	34 1/2"

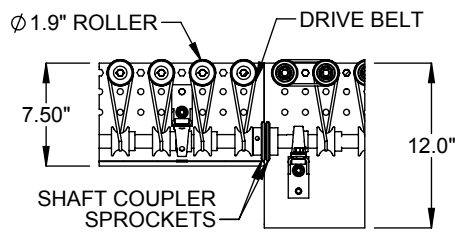
SECTION A-A
DRIVE

ALL PRODUCT, PRODUCT SPECIFICATIONS AND DATA ARE SUBJECT TO CHANGE WITHOUT NOTICE TO IMPROVE RELIABILITY, FUNCTION OR DESIGN OR OTHERWISE.

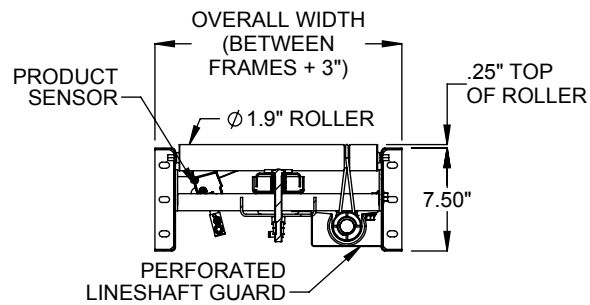
CENTER DRIVE, LEFT HAND SHAFT SHOWN.
RIGHT HAND SHAFT IS OPTIONAL.

SPECIFICATIONS	
BETWEEN FRAMES: 13" - 39"	
BEGINNING ELEVATION: 12.25" - 126"	LENGTH: 24" - 1200"
ENDING ELEVATION: Same as beginning elevation. Consult factory for incline/decline applications.	
ROLLER: 1.9" diameter, 16ga tube with 7/16" hex, cold rolled steel axle, spring retained with precision ABEC1 bearings.	
ROLLER CENTERS: 3"	CONVEYOR SPEED: 20 - 180 FPM
DRIVE BELT: <u>Standard</u> belt is 83A, 15 lb. capacity per roller. 75lb unit load. <u>Optional</u> high tension belt is 85A, 25 lb. capacity per roller. Consult Factory for high tension applications.	
DRIVE: Driven by LSDR19.	
MOTOR: 1/2 HP through 2 HP. Energy efficient and inverter duty motors also available. Voltages include 120/1/60, 230/3/60, 460/3/60 and 575/3/60 & DC Voltage.	
ROLLER COVER: <u>Standard</u> galvanized roller. <u>Optional</u> polyurethane sleeves available.	
FRAME: Drive frame 12.0" x 1.50" x 12 ga. Conveyor frame 7.50" x 1.50" x 12ga. Both frames standard with bolt-on cross members, and welded couplers.	
SUPPORT CENTERS: <u>Standard</u> supports are floor supports on each end. <u>Optional</u> ceiling supports are also available.	
ACCUMULATION ZONES: 18", 24", 27", 30", 36" zone length. <u>Standard</u> zone logic is for cascading accumulation. Sensors and Valves are included.	
FRAME FINISH: <u>Standard</u> finish is OSHA safety blue powder. <u>Optional</u> colors include green, beige, gray, orange, black and yellow.	

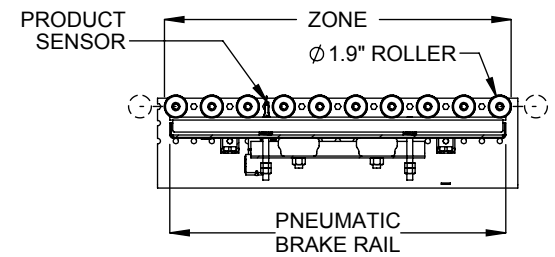
Model: LSZP19 - Line Shaft Zero Pressure Accumulation



**SECTION B-B
COUPLED LINE SHAFT
(GUARD NOT SHOWN)**



**SECTION C-C
INTERMEDIATE CROSS-SECTION**



**SECTION D-D
ZERO PRESSURE**

ALL PRODUCT, PRODUCT SPECIFICATIONS AND DATA ARE SUBJECT TO CHANGE WITHOUT NOTICE TO IMPROVE RELIABILITY, FUNCTION OR DESIGN OR OTHERWISE.

Model: LSZP19 - Line Shaft Zero Pressure Accumulation

REV

3

