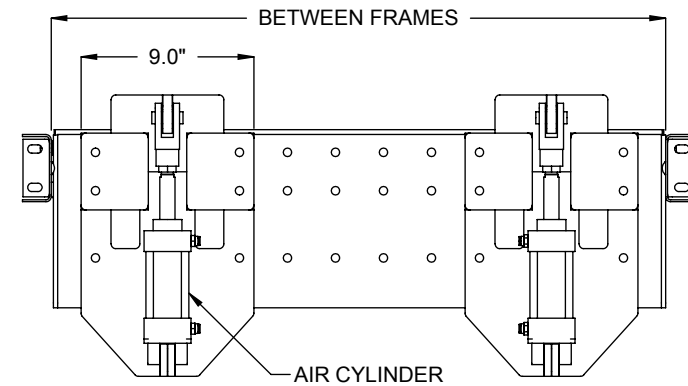
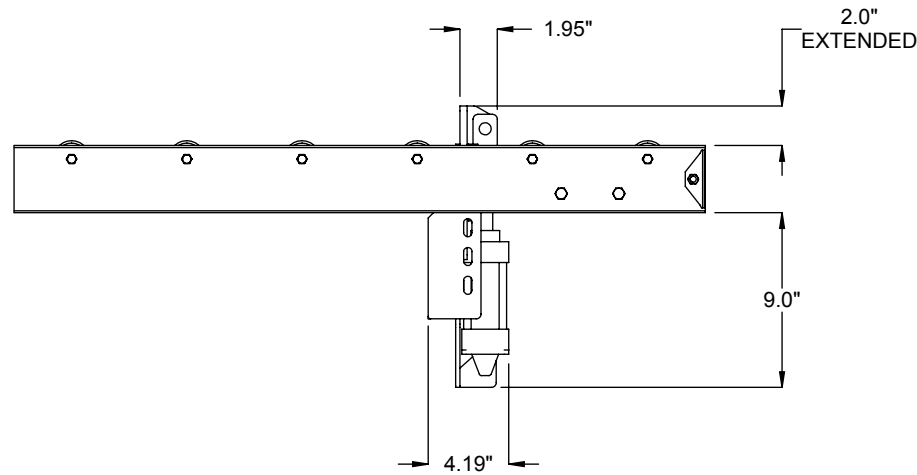
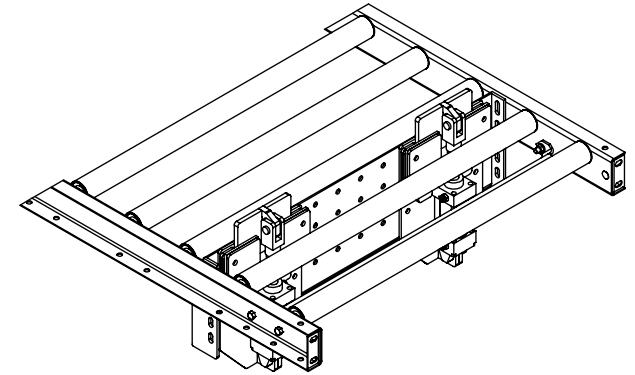


LOAD CAPACITY: 150 LB. MAXIMUM CAPACITY USED AS A PACKAGE HANDLING STOP. CONSULT FACTORY FOR OTHER USES. NOT SUITABLE FOR SEVERE IMPACT LOADING.



SPECIFICATIONS

BETWEEN FRAMES: 21" - 61"

MOUNTING: Escapement frame bolts on to webs of conveyor frame.

BLADE STOP: 3/8" plate connected to air cylinder.

OPERATION: Extending the cylinders engages the escapement stop.

CYLINDERS: Two double acting 2" bore x 2" stroke pneumatic cylinders.

AIR REQUIREMENTS: Standard requires 30-40psi of clean, filtered, regulated air at consumption of approximately 0.005 cubic feet per cycle. Optional valve and filter/regulator/lubricator available.

FINISH: Standard finish is OSHA safety orange powder.

Model: PUBS2 - Escapement Stop, Double Pop-up Blade Type

REV
0

