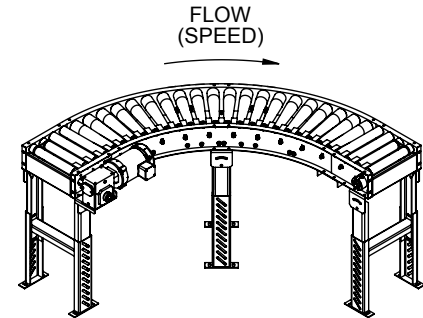
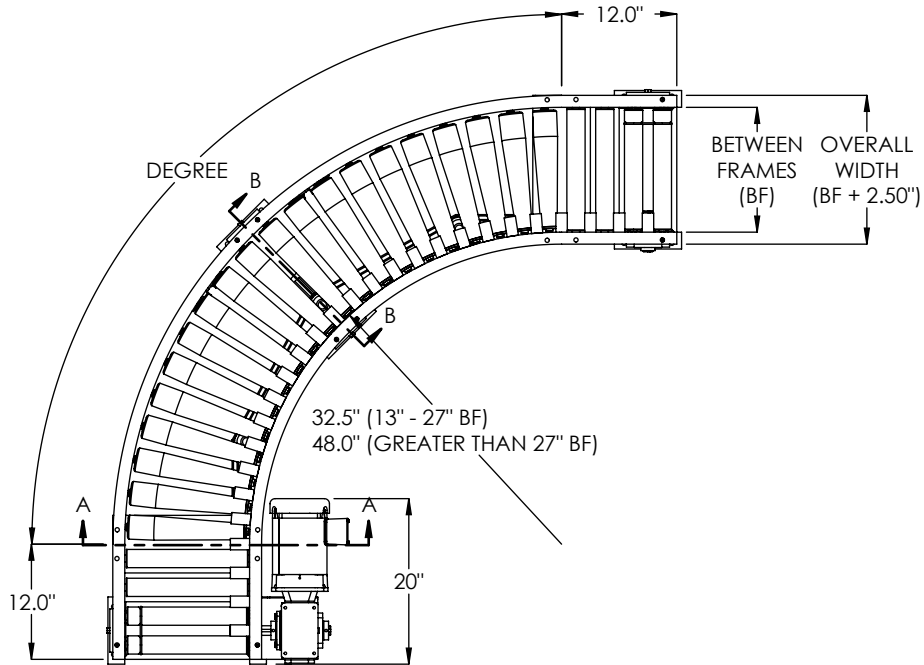
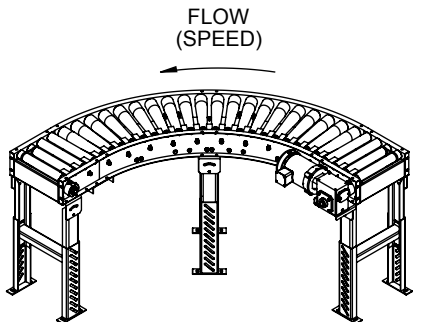


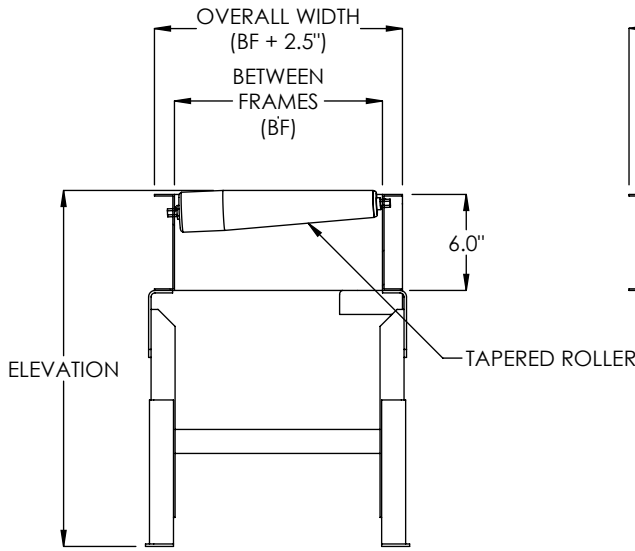
**LOAD CAPACITY: 500 LB MAXIMUM LOAD DISTRIBUTED ON CONVEYOR.**



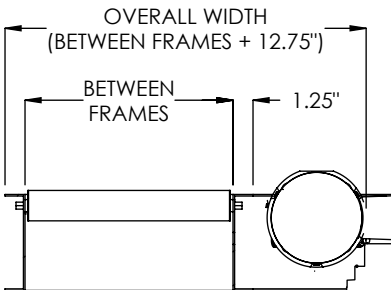
**END DRIVE, SIDE, RIGHT, INSIDE RADIUS, D130**



**END DRIVE, SIDE, LEFT, INSIDE RADIUS, D140**



**SECTION B-B**



**SECTION A-A**

**SPECIFICATIONS**

<b>BETWEEN FRAMES:</b> 13", 15", 17", 19", 21", 23", 25", 27", 31", 33", 37", 39"	
<b>BEGINNING ELEVATION:</b> 7.5" - 126"	<b>DEGREE:</b> 30°, 45°, 90°
<b>ENDING ELEVATION:</b> 7.5" - 126"	<b>SPEED:</b> 30, 40, 50, 60, 90, 200 FPM
<b>BELT:</b> Endless B-section V-Belt support.	
<b>ROLLERS:</b> 2-1/2" diameter tapered to 1-11/16" diameter, 14ga with precision grease packed bearings, 7/16" spring retained hex axle. Tangent sections use 1.9" diameter, 16ga with precision grease packed bearings, 7/16" spring retained hex axle.	
<b>DRIVE:</b> Standard drive is an End Drive, right hand side. Optional drive include End drive left hand side.	
<b>MOTOR:</b> 1/2 HP. Energy efficient and inverter duty motors also available. Voltages include 120/1/60, 230/3/60, 460/3/60 and 575/3/60 & DC Voltage.	
<b>SUPPORT CENTERS:</b> Standard supports are floor supports on 10' centers. Optional on 5' centers. Ceiling supports are also available.	
<b>FRAME FINISH:</b> Standard finish is OSHA safety blue powder. Optional colors include green, beige, gray, orange, black and yellow.	

**Model: MDTLRC - Medium Duty Tapered Live Roller Curve**