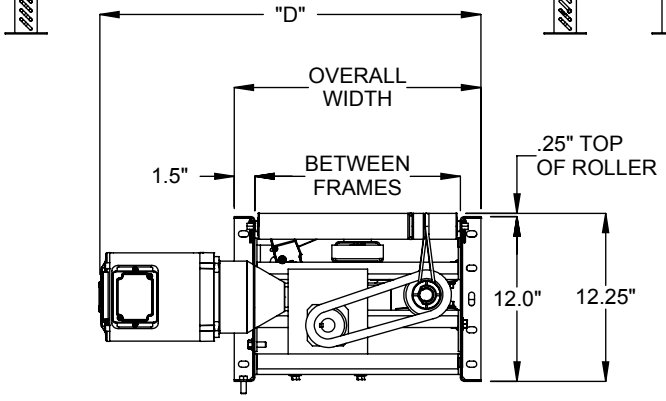


CENTER DRIVE, LEFT HAND SHAFT SHOWN. RIGHT HAND SHAFT IS OPTIONAL.



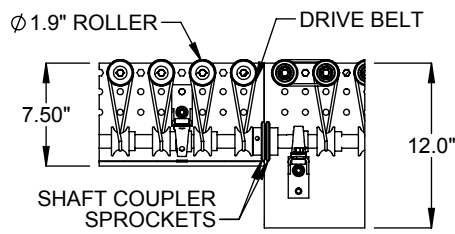
| HP               | "D" MAX. |
|------------------|----------|
| 1/3, 1/2, 3/4, 1 | 28"      |
| 1 1/2            | 31"      |
| 2                | 34 1/2"  |

SECTION A-A DRIVE

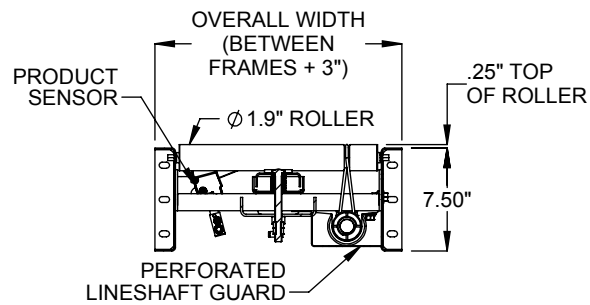
ALL PRODUCT, PRODUCT SPECIFICATIONS AND DATA ARE SUBJECT TO CHANGE WITHOUT NOTICE TO IMPROVE RELIABILITY, FUNCTION OR DESIGN OR OTHERWISE.

| SPECIFICATIONS   |                                     |
|--|-------------------------------------|
| <b>BETWEEN FRAMES:</b> 13" - 39"   |                                     |
| <b>BEGINNING ELEVATION:</b> 12.25" - 126"  | <b>LENGTH:</b> 24" - 1200"          |
| <b>ENDING ELEVATION:</b> Same as beginning elevation. Consult factory for incline/decline applications.  |                                     |
| <b>ROLLER:</b> 1.9" diameter, 16ga tube with 7/16" hex, cold rolled steel axle, spring retained with precision ABEC1 bearings.   |                                     |
| <b>ROLLER CENTERS:</b> 3"  | <b>CONVEYOR SPEED:</b> 20 - 180 FPM |
| <b>DRIVE BELT:</b> <u>Standard</u> belt is 83A, 15 lb. capacity per roller. 75lb unit load. <u>Optional</u> high tension belt is 85A, 25 lb. capacity per roller. Consult Factory for high tension applications. |                                     |
| <b>DRIVE:</b> Driven by LSDR19.  |                                     |
| <b>MOTOR:</b> 1/2 HP through 2 HP. Energy efficient and inverter duty motors also available. Voltages include 120/1/60, 230/3/60, 460/3/60 and 575/3/60 & DC Voltage.  |                                     |
| <b>ROLLER COVER:</b> <u>Standard</u> galvanized roller. <u>Optional</u> polyurethane sleeves available.  |                                     |
| <b>FRAME:</b> Drive frame 12.0" x 1.50" x 12 ga. Conveyor frame 7.50" x 1.50" x 12ga. Both frames standard with bolt-on cross members, and welded couplers.  |                                     |
| <b>SUPPORT CENTERS:</b> <u>Standard</u> supports are floor supports on each end. <u>Optional</u> ceiling supports are also available.  |                                     |
| <b>ACCUMULATION ZONES:</b> 18", 24", 27", 30", 36" zone length. <u>Standard</u> zone logic is for cascading accumulation. Sensors AV and Valves are included.  |                                     |
| <b>FRAME FINISH:</b> <u>Standard</u> finish is OSHA safety blue powder. <u>Optional</u> colors include green, beige, gray, orange, black and yellow.   |                                     |

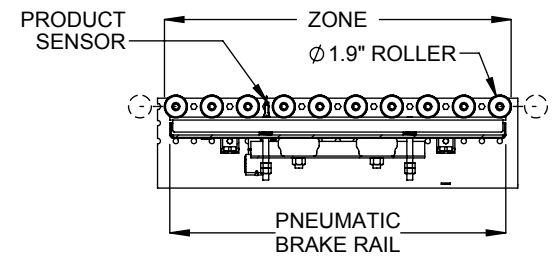
Model: LSZP19 - Line Shaft Zero Pressure Accumulation



**SECTION B-B  
COUPLED LINE SHAFT  
(GUARD NOT SHOWN)**



**SECTION C-C  
INTERMEDIATE CROSS-SECTION**



**SECTION D-D  
ZERO PRESSURE**

ALL PRODUCT, PRODUCT SPECIFICATIONS AND DATA ARE SUBJECT TO CHANGE WITHOUT NOTICE TO IMPROVE RELIABILITY, FUNCTION OR DESIGN OR OTHERWISE.

**Model:** LSZP19 - Line Shaft Zero Pressure Accumulation

REV

3

