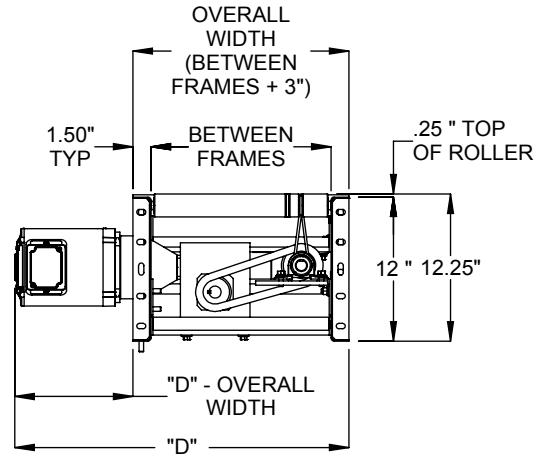
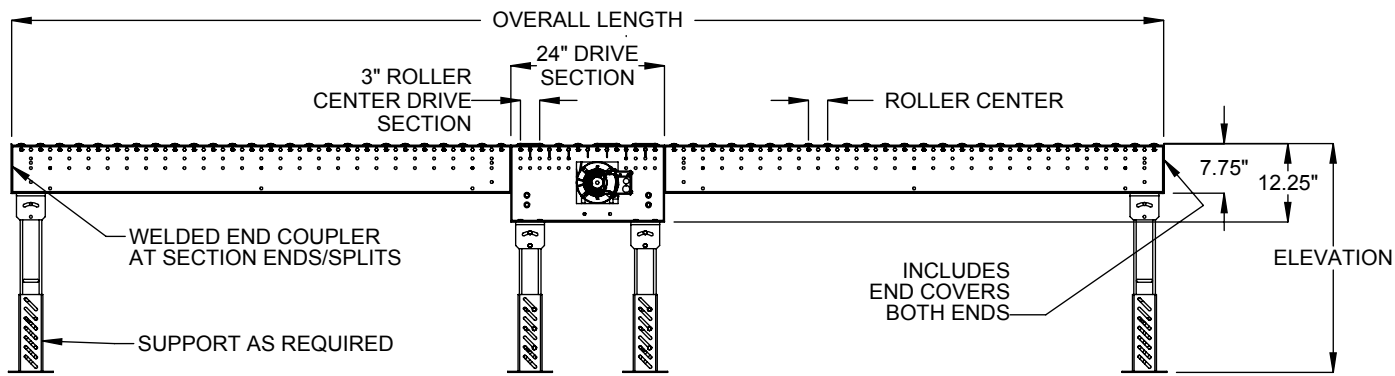
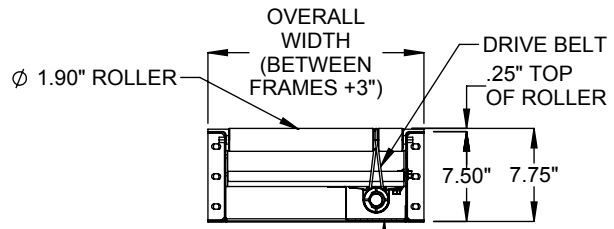


CENTER DRIVE, LEFT HAND SHAFT SHOWN. RIGHT HAND SHAFT IS OPTIONAL.

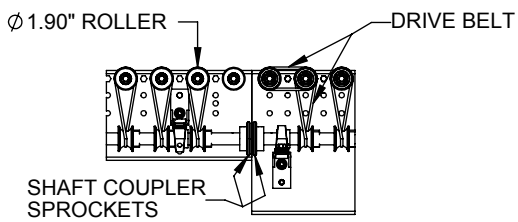


HP	"D" MAX.
1/3, 1/2, 3/4, 1	28"
1 1/2	31"
2	34 1/2"

SECTION A-A DRIVE



SECTION C-C INTERMEDIATE CROSS-SECTION



SECTION B-B COUPLED LINE SHAFT (GUARD NOT SHOWN)

SPECIFICATIONS	
<b>BETWEEN FRAMES:</b> 13" - 39"	
<b>BEGINNING ELEVATION:</b> 12.25" - 126"	<b>LENGTH:</b> 24" - 1200"
<b>ENDING ELEVATION:</b> Same as beginning elevation. Consult factory for incline/decline applications.	
<b>ROLLER:</b> 1.9" diameter, 16ga tube with 7/16" hex, cold rolled steel axle, spring retained with precision ABEC1 bearings.	
<b>ROLLER CENTERS:</b> 3", 4.5", 6"	<b>CONVEYOR SPEED:</b> 20 - 180 FPM
<b>DRIVE BELT:</b> <u>Standard</u> belt is 83A, 15lb. capacity per roller. 75lb unit load. <u>Optional</u> high tension belt is 85A, 25 lb. capacity per roller. Consult Factory for all high tension applications.	
<b>DRIVE:</b> <u>Standard</u> drive is center chain drive, left hand shaft. Timing belt required for 120 FPM and over. <u>Optional</u> drive is center chain drive, right hand shaft.	
<b>MOTOR:</b> 1/2 HP through 2 HP. Energy efficient and inverter duty motors also available. Voltages include 120/1/60, 230/3/60, 460/3/60 and 575/3/60 & DC Voltage.	
<b>ROLLER COVERS:</b> <u>Standard</u> galvanized roller. <u>Optional</u> polyurethane sleeves available.	
<b>FRAME:</b> Drive frame 12.25" x 1.5" x 12 ga. Conveyor frame 7.75" x 1.50" x 12 ga. Both frames standard with bolt-in cross members, and welded end couplers.	
<b>SUPPORT CENTERS:</b> <u>Standard</u> supports are floor supports on 10' centers. <u>Optional</u> supports on 5' centers. Ceiling supports are also available.	
<b>FRAME FINISH:</b> <u>Standard</u> finish is OSHA safety blue powder. <u>Optional</u> colors include green, beige, gray, orange, black and yellow.	

ALL PRODUCT, PRODUCT SPECIFICATIONS AND DATA ARE SUBJECT TO CHANGE WITHOUT NOTICE TO IMPROVE RELIABILITY, FUNCTION OR DESIGN OR OTHERWISE.

Model: LSLR19 - Line Shaft Straight Conveyor