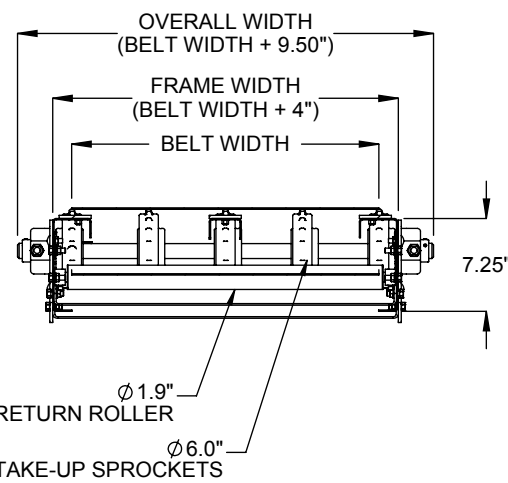
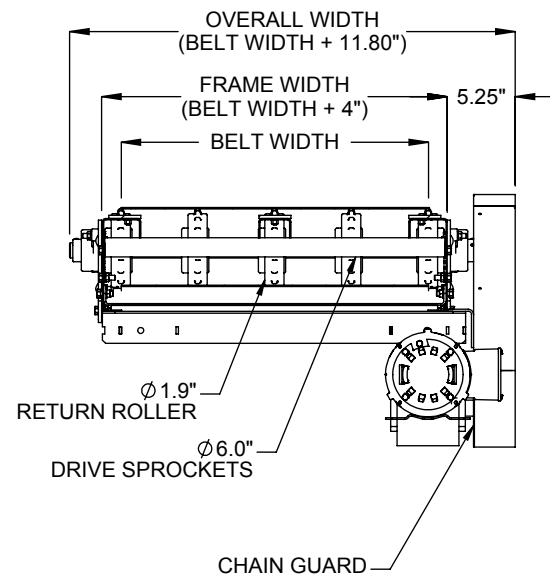


END DRIVE, BOTTOM RIGHT HAND (SHOWN)
END DRIVE, BOTTOM LEFT HAND (OPPOSITE)



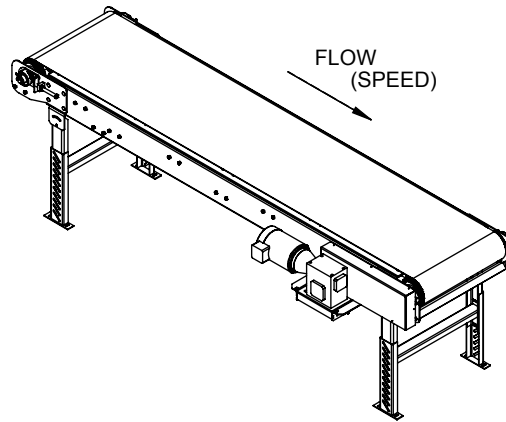
SECTION A-A
TAKE-UP END
TYPICAL ALL DRIVES



SECTION B-B
DRIVE END

SPECIFICATIONS	
BELT WIDTH: 12", 18", 24", 30", 36"	
BEGINNING ELEVATION: 9" - 126"	LENGTH: 60" - 720"
ENDING ELEVATION: 19" - 126"	SPEED: 15 - 60 FPM
BELT: Standard 1/2" x 1" galvanized with clinched edge. Options include 1/2" x 1" stainless with clinched edge; 1/2" x 1/2" galvanized with welded edge; and 1/2" x 1/2" stainless with welded edge.	
DRIVE: Standard drive is an end drive, bottom right hand. Optional drives include end drive, bottom left hand; Side drive right or left hand side.	
MOTOR: 1/2 HP through 1-1/2 HP. Energy efficient, inverter duty & brake motors also available. Voltages include 120/1/60, 230/3/60, 460/3/60, 575/3/60 & DC Voltage	
SUPPORT CENTERS: Standard supports are floor supports on 10' centers. Optional floor supports on 5' centers; Ceiling supports on 5' & 10' centers.	
GUARDRAIL: Standard is no guardrail. Optional 2.0", 4.0" & 6.0"; 1/4" thickness, welded on flat.	
FRAME FINISH: Standard finish is OSHA safety blue powder. Optional colors include green, beige, gray, orange, black and yellow.	

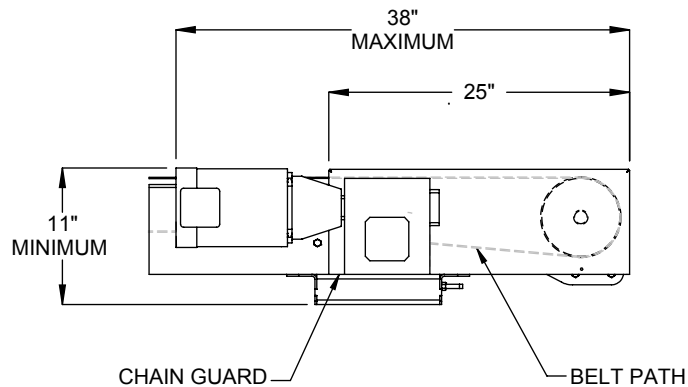
Model: MDSWM - Medium Duty Slider Bed, Flat Wire Mesh



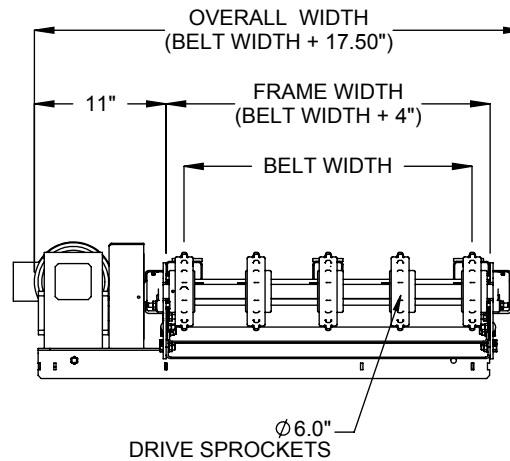
END DRIVE, SIDE RIGHT HAND (SHOWN)
END DRIVE, SIDE LEFT HAND (OPPOSITE)

LOAD CAPACITY @ 60 FPM (LBS)					
HP	WIDTH				
	12"	18"	24"	30"	36"
1/2	350	345	310	275	240
3/4	600	565	530	495	460
1	825	790	755	720	685
1 1/2	1270	1235	1200	1165	1130

LOAD CAPACITY @ 30 FPM (LBS)					
HP	WIDTH				
	12"	18"	24"	30"	36"
1/2	830	795	760	725	690
3/4	1275	1240	1205	1170	1135
1	1720	1685	1650	1615	1580
1 1/2	2610	2575	2540	2505	2470



END, SIDE DRIVE OPTION



END, SIDE DRIVE
END VIEW

