

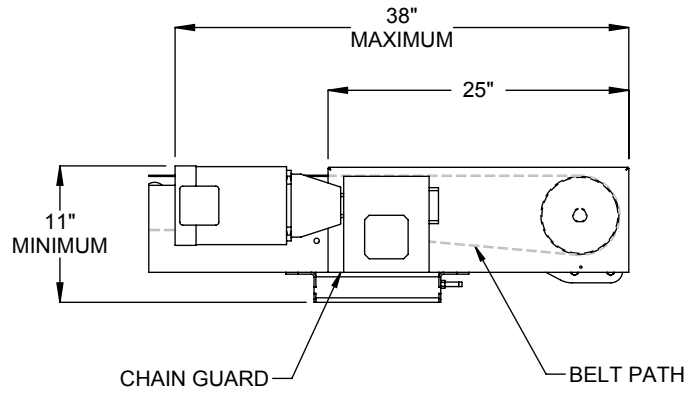
END DRIVE, SIDE RIGHT HAND (SHOWN)
END DRIVE, SIDE LEFT HAND (OPPOSITE)

LOAD CAPACITY @ 60 FPM (LBS)					
HP	WIDTH				
	12"	18"	24"	30"	36"
1/2	655	585	520	450	380
3/4	1065	995	925	860	790
1	1470	1405	1335	1265	1200
1 1/2	2290	2220	2150	2085	2015

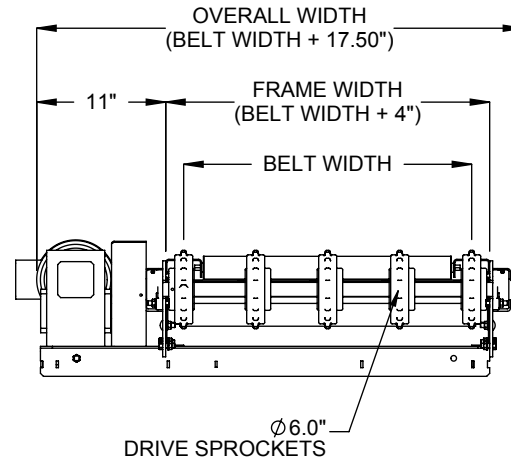
LOAD CAPACITY @ 30 FPM (LBS)					
HP	WIDTH				
	12"	18"	24"	30"	36"
1/2	1480	1410	1345	1275	1205
3/4	2300	2230	2160	2090	2025
1	3115	3045	2980	2910	2840
1 1/2	4750	4680	4615	4545	4475

MAXIMUM LOAD PER LINEAR FOOT OF CONVEYOR IS 75 POUND - NOT TO EXCEED CAPACITY ABOVE.

* HP requirements may be slightly higher for closer roll centers.

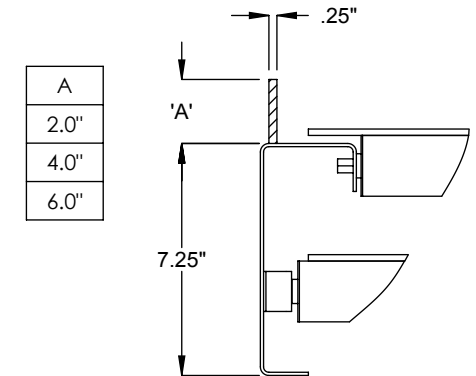


END, SIDE DRIVE OPTION



END, SIDE DRIVE
END VIEW

GUARD RAIL OPTION



1/4" WELD ON FLAT