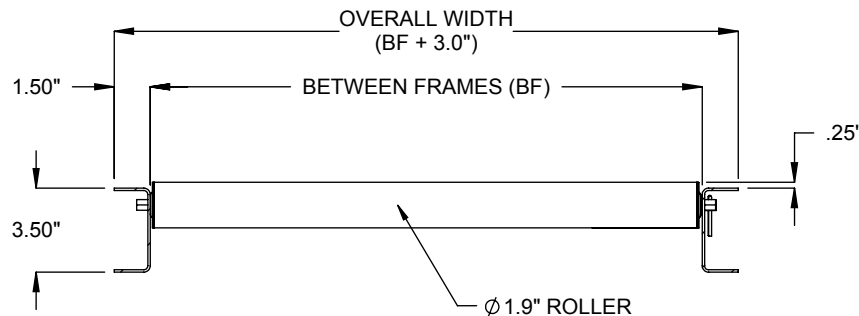


RIGHT SIDE (SHOWN)
LEFT SIDE OPPOSITE AS SHOWN



SECTION A-A
F97 CHANNEL, 3-1/2" x 1-1/2" x 12ga

1916S COMBINATIONS

BF	LG	DEG	BF	LG	DEG	BF	LG	DEG
13	40	30	23	57	30	37	81	30
13	28	45	23	38	45	37	52	45
15	43	30	25	61	30	39	85	30
15	30	45	25	40	45	39	54	45
17	47	30	27	64	30	43	92	30
17	32	45	27	42	45	43	58	45
19	50	30	31	71	30	47	99	30
19	34	45	31	46	45	47	62	45
21	54	30	33	74	30	51	106	30
21	36	45	33	48	45	51	66	45

SPECIFICATIONS

BETWEEN FRAMES: 13" - 51" (See chart)	LENGTH: 28" - 106" (See chart)
ROLLER CENTERS: 3", 4.5", 6"	DEGREE: 30°, 45° (See chart)
ROLLERS: 1.9" dia., 16ga wall tubes with 7/16" hex cold rolled steel axles, spring retained. Standard bearings are light oil lubricated. Optional bearings include combinations of precision, semi-precision, and non-precision construction with light oil or grease packed lubrication.	
FRAMES: Standard F97 set high 3-1/2" x 1" x 12ga formed steel channel with bolted 2" x 8ga galvanized angle crossies. Optional F38 set low 4-1/2" x 1-1/2" x 12ga.	
ROLLER SURFACE: Optional Orange Polyurethane, 1/8" wall or galvanized tube.	
COUPLINGS: Bolted butt couplers standard on one end of channel.	
FRAME FINISH: Standard finish is OSHA safety blue powder. Optional colors include green, beige, gray, orange, black and yellow.	

Model: 1916S - Gravity Spur Conveyor, 1.9 diameter 16 gauge roller

REV

0

