

SPECIFICATIONS

BETWEEN FRAMES: 6" - 51"

LENGTH: 18" - 120"

ROLLER CENTERS: 3", 4.5", 6", 9", 12"

ROLLERS: 2.5" dia., 14ga wall tubes with 7/16" hex cold rolled steel axles, spring retained. Standard A40 bearings are light oil lubricated. Optional A41 bearings are greased. 290 lbs roller capacity.

FRAMES: Standard F97 set high 3-1/2" x 1-1/2" x 12ga formed steel channel with bolted 2" x 8ga galvanized angle crossies.

ROLLER SURFACE: Optional Orange Polyurethane, 1/8" wall.

COUPLINGS: Bolted butt couplers Standard on both ends of channel.

FRAME FINISH: Standard finish is OSHA safety blue powder. Optional colors include green, beige, gray, orange, black and yellow.

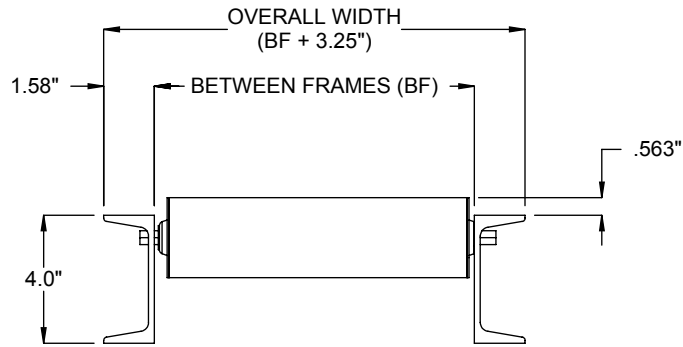
Model: 2514 - Gravity Roller Conveyor, 2.5 diameter 14 gauge roller

REV

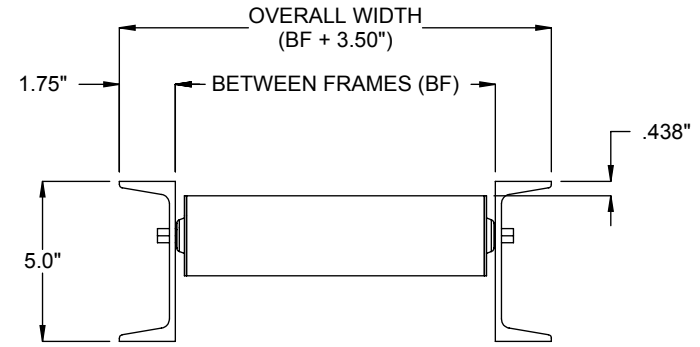
0



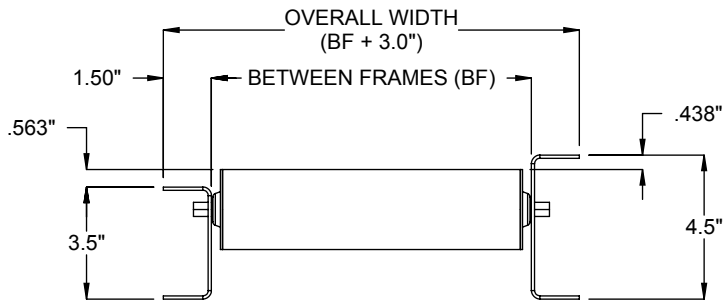
FRAME OPTIONS:



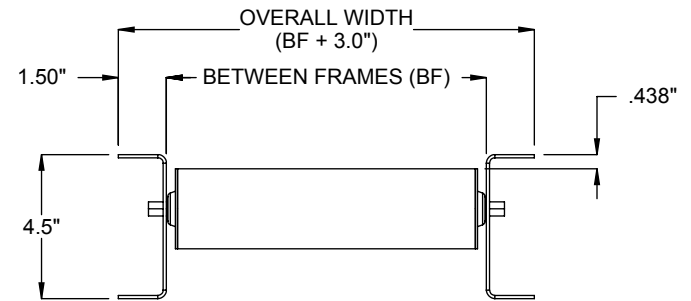
F15 CHANNEL, 4@5.4#



F16 CHANNEL, 5@6.7#



F18 CHANNEL, 3-1/2" & 4-1/2"



F38 CHANNEL, 4-1/2"x1-1/2"x12ga