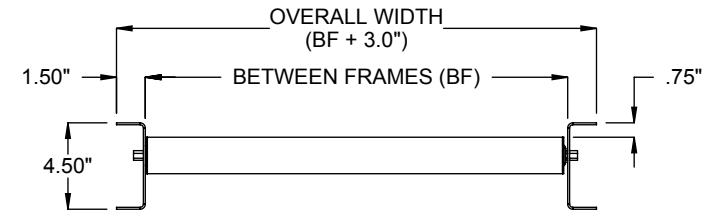
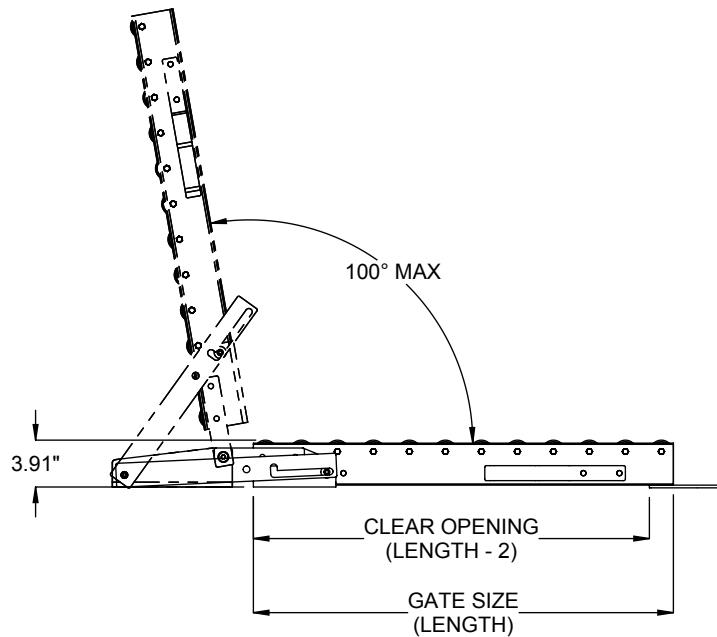


FRAME OPTIONS:



F38 CHANNEL, 4-1/2"x1-1/2"x12ga



SPECIFICATIONS

BETWEEN FRAMES: 6" - 39"	LENGTH: 36"
ROLLER CENTERS: 2.25", 3", 4.5", 6"	
ROLLERS: 1.9" dia., with 7/16" hex cold rolled steel axles, spring retained. Standard HG1912 A20 bearings, oiled 135 lbs., 12ga roller. <u>Standard HG1916 A15 bearings, oiled 300 lbs., 16ga roller.</u>	
FRAMES: Standard F97 set high 3-1/2" x 1-1/2" x 12ga formed steel channel. <u>Optional F38 set low 4-1/2" x 1-1/2" x 12ga.</u>	
ROLL COVERS: Standard carbon steel. <u>Optional roll covers include Orange Polyurethane, 1/8" wall or galvanized tubes.</u>	
COUPLINGS: Can be connected to the same model conveyor with matching frame option and matching between frame dimension.	
FRAME FINISH: Standard finish is OSHA safety blue powder. <u>Optional colors include green, beige, gray, orange, black and yellow.</u>	

Model: HG1912, HG1916 - Manual Hinge Gate, 1.9 diameter roller

REV
0

